

Sauna heater

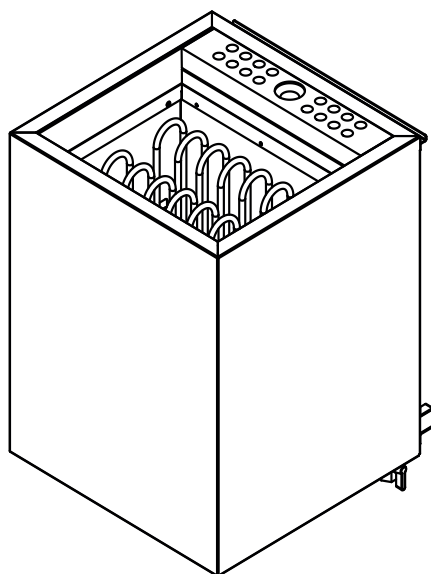
Home combi

HOME-C60 / 1-050-408: Home combi 6.0 kW

HOME-C90 / 1-050-411: Home combi 9.0 kW

INSTRUCTIONS FOR INSTALLATION AND USE

English



EN

DE

FR

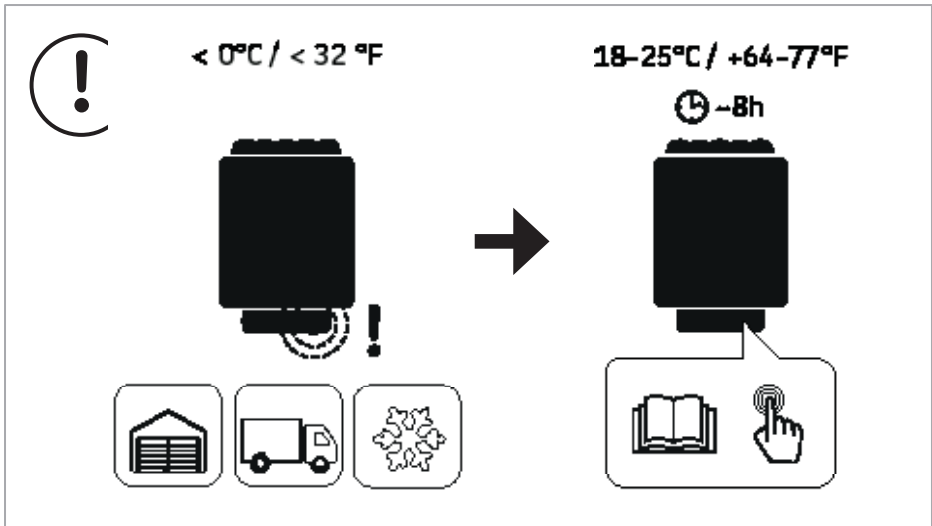
IT

NL

CS

SV

FI



EN: Overheat protector of the device can go off also at temperatures below -5°C / 23°F (storage, transport, environment). Before installation take the device to the warm environment. The overheat protector can be reset when the temperature of the device is approx 18°C / 64°F . The overheat protector must be reset before using the device. See the user manual > Resetting the Overheat Protector.

DE: Der Überhitzungsschutz des Geräts kann auch bei Temperaturen unter -5°C / 23°F (Lagerung, Transport, Umgebung) auslösen. Bringen Sie das Gerät vor der Installation in eine warme Umgebung. Der Überhitzungsschutz kann bei einer Gerätetemperatur von ca. 18°C / 64°F zurückgesetzt werden. Vor Verwendung des Geräts muss der Überhitzungsschutz zurückgesetzt werden. Siehe Betriebsanleitung > Zurücksetzen des Überhitzungsschutzes.

FR: La sécurité-surchauffe de l'appareil peut également se déclencher à des températures inférieures à -5°C / 23°F (stockage, transport, environnement). Avant l'installation, placez l'appareil dans un endroit chaud. La sécurité-surchauffe peut être réinitialisée quand la température de l'appareil se situe à env. 18°C / 64°F . La sécurité-surchauffe doit être réinitialisée avant d'utiliser cet appareil. Reportez-vous au manuel > Réinitialisation de la sécurité-surchauffe.

IT: La protezione da surriscaldamento del dispositivo può attivarsi anche a temperature inferiori a $-5^{\circ}\text{C}/23^{\circ}\text{F}$ (conservazione, trasporto, ambiente). Prima dell'installazione, portare il dispositivo in un ambiente caldo. La protezione da surriscaldamento può essere reimpostata quando la temperatura del dispositivo è di circa $18^{\circ}\text{C}/64^{\circ}\text{F}$. La protezione da surriscaldamento deve essere reimpostata prima di utilizzare il dispositivo. Vedere il manuale dell'utente > Reimpostazione della protezione da surriscaldamento.

NL: De oververhittingsbeveiliging van het apparaat kan ook afgaan bij temperaturen onder $-5\text{ }^{\circ}\text{C}/23\text{ }^{\circ}\text{F}$ (opslag, transport, omgeving). Breng het apparaat vóór de installatie naar een warme omgeving. De oververhittingsbeveiliging kan worden gereset als de temperatuur van het apparaat ca. $18\text{ }^{\circ}\text{C}/64\text{ }^{\circ}\text{F}$ bedraagt. De oververhittingsbeveiliging moet worden gereset voordat u het apparaat gebruikt. Zie de gebruikershandleiding > Oververhittingsbeveiliging resetten.

CS: Ochrana proti přehřátí se také může vypnout při teplotách pod $-5\text{ }^{\circ}\text{C} / 23\text{ }^{\circ}\text{F}$ (skladování, přeprava, prostředí). Před instalací umístíte zařízení do teplého prostředí. Ochranu proti přehřátí je možné resetovat, pokud je teplota zařízení přibl. $18\text{ }^{\circ}\text{C} / 64\text{ }^{\circ}\text{F}$. Před použitím zařízení je nutné ochranu proti přehřátí resetovat. Viz uživatelský návod > Reset ochrany proti přehřátí.

SV: Enhetens överhettningsskydd kan även lösa ut när temperaturen understiger $-5\text{ }^{\circ}\text{C} / 23\text{ }^{\circ}\text{F}$ (lagring, transport, omgivningsmiljö). Innan du installerar enheten bör den få stå i en varm miljö en stund. Återställning är möjlig när enhetens temperatur ligger på ca $18\text{ }^{\circ}\text{C} / 64\text{ }^{\circ}\text{F}$. Överhettningsskyddet måste återställas innan enheten tas i bruk. Se användarhandboken > Återställning av överhettningsskyddet.

FI: Laitteen ylikuumenemissuoja voi laueta myös alle $-5\text{ }^{\circ}\text{C}$ lämpötiloissa (varastointi, kuljetus, ympäristö). Ennen asentamista ota laite lämpimään. Ylikuumenemissuojan voi kuitata laitteen ollessa noin 18 asteinen. Kuittaa laitteen ylikuumenemissuoja ennen käyttöönottoa > Ks. ylikuumenemissuojan kuittaus laitteen käyttöohjeesta.

EN

DE

FR

IT

NL

CS

SV

FI

Table of Contents

1. About this instruction manual	4
2. Important information for your safety	5
2.1. Intended use	5
2.2. Safety information for the installer	6
2.3. Safety information for the user	7
3. Product description	8
3.1. Scope of delivery	8
3.2. Accessories	8
3.3. Product features	8
4. Installation and connection	8
4.1. Installation location and sensor position	9
4.2. Safety distances	9
4.3. Installation on the cabin wall	10
4.4. Connection diagram for 400 V 3 N~	12
4.5. Connection diagram for 230 V 1 N~	13
4.6. Wiring diagrams	14
4.7. Electrical connection	14
5. Commissioning	16
5.1. Filling the stone container	16
5.2. Heating for the first time	17
6. Operation	18
6.1. Operating the sauna heater	18
6.2. Finnish sauna mode	18
6.3. Combi mode	19

7. Maintenance	21
7.1. Extended periods of non-use.....	21
7.2. Cleaning the sauna heater.....	21
7.3. Changing the sauna stones.....	22
7.4. Cleaning the evaporator tank.....	22
7.5. Descaling the evaporator tank.....	23
8. Disposal	23
9. Problem-solving by the installer	24
10. Technical data	25
11. Spare parts	26

1. About this instruction manual

Carefully read these instructions for installation and use, and keep them near the sauna. This ensures that you can refer to information on safety and operation at any time.



These installation and operating instructions can also be found in the downloads section of our website: www.sentiotec.com/downloads.

Symbols used for warning notices

In these instructions for installation and use, a warning notice located next to an activity indicates that this activity poses a risk. Always observe the warning notices. This prevents damage to property and injuries, which in the worst case may be fatal.

The warning notices contain keywords, which have the following meanings:



DANGER!

Serious or fatal injury will occur if this warning notice is not observed.



WARNING!

Serious or fatal injury can occur if this warning notice is not observed.



CAUTION!

Minor injuries can occur if this warning notice is not observed.

NOTE!

This keyword is a warning that damage to property can occur.

Other symbols



This symbol indicates tips and useful information.



Do not cover



Read the operating instructions

2. Important information for your safety

The Home combi sauna heater has been produced in accordance with the applicable safety rules and regulations. However, hazards may arise during use. Therefore adhere to the following safety information and the specific warning notices in the individual chapters.

2.1. Intended use

The Home combi is a sauna heater with integrated evaporator. The Home combi may only be used for heating sauna cabins and for increasing the humidity inside the sauna cabin. The Home combi may only be used in conjunction with a sauna control unit without a remote start function.

The Home combi sauna heater can also be used with a sauna control unit with a remote start function, but only in conjunction with the optional safety shutdown feature.

The Home combi sauna heater can also be used in public saunas, but only in conjunction with the optional safety shutdown feature.

Any use exceeding this scope is considered improper use. Improper use can result in damage to the product, severe injuries or death.

2.2. Safety information for the installer

- Installing and connecting the sauna heater may only be performed when the power supply is disconnected.
- Installation may only be performed by a qualified electrician or similarly qualified person.
- A fully disconnecting all-pole isolating device compliant with overvoltage category III must be fitted on site.
- Always use silicone cables that are heat-resistant up to 150 °C to connect the sauna heater.
- Only install one sauna heater in the cabin. The Home fin sauna heater must not be used together with other sauna heaters in a sauna cabin.
- The roof and walls of the sauna cabin must be manufactured from low-resin, untreated or thermally treated wood, e.g. Nordic spruce, hemlock, pine or fir, or from laminated wooden materials. If laminated wooden materials are used, make sure that the adhesive used in them does not give off formaldehyde. If other materials than wood are used in the sauna cabin, these materials must be heat-resistant and corrosion-resistant and must not cause any negative effects on the health of the sauna users.
- The height of the sauna cabin must be at least 1.9 m.
- Observe the specifications on volumes and on ventilation of the sauna cabin in chapter **10. Technical data** on page **27**.
- When positioning the sauna heater, observe the minimum safety distances (see chapter **4.2. Safety distances**).
- Also comply with the regulations applicable at the installation location.
- For your own safety, consult your supplier in the event of problems that are not explained in sufficient detail in the installation instructions.

2.3. Safety information for the user

- The device must not be used by children under 8 years of age.
- The device may only be used by children over 8 years of age, by persons with limited psychological, sensory or mental capabilities or by persons with lack of experience/knowledge under the following conditions:
 - They are supervised.
 - They have been shown how to use the device safely and are aware of the hazards that could occur.
- Children must not play with the device.
- Children under 14 years of age may only clean the device if they are supervised.
- For health reasons, do not use the sauna when under the influence of alcohol, medication or drugs.
- Never operate the sauna heater without sauna stones, as this can cause fires.
- Make sure that no flammable objects have been placed on the sauna heater before the sauna control unit is switched on.
- Heat up the sauna heater for half an hour BEFORE using the sauna for the first time. Do NOT remain in the sauna cabin during this period. Then ventilate the sauna cabin well (see **5.2. Heating for the first time** on page 19).
- Never touch the sauna heater while it is operating. The surfaces of the sauna heater and sauna stones become extremely hot.
- For your own safety, consult your supplier in the event of problems that are not described in sufficient detail in the user instructions.

3. Product description

3.1. Scope of delivery

- Sauna heater
- Instructions for installation and use

3.2. Accessories

<i>Accessories</i>	<i>Item number</i>
Cut-off rocker switch	SFE-350400 / 1-045-583

3.3. Product features

- **Finnish sauna mode:** usually 80 to 100 °C; approx. 10% rel. humidity
- **Combi mode** (only in combination with a combi control): approx. 40 to 65 °C, 35% to 70% humidity. The maximum permissible relative humidity decreases with increasing temperature.

4. Installation and connection

Take the following points into account when positioning and connecting the sauna heater:



WARNING!

Danger of electric shock

- The sauna heater may only be installed and connected when the power supply is disconnected.
-
- The electrical connection may only be performed by a qualified electrician or similarly qualified person.
 - A fully disconnecting all-pole isolating device compliant with overvoltage category III must be fitted on site.
 - The Home fin sauna heater is a wall-mounted heater. Before starting the heater, check that the heater has been firmly installed on the mounting rail.

4.1. Installation location and sensor position

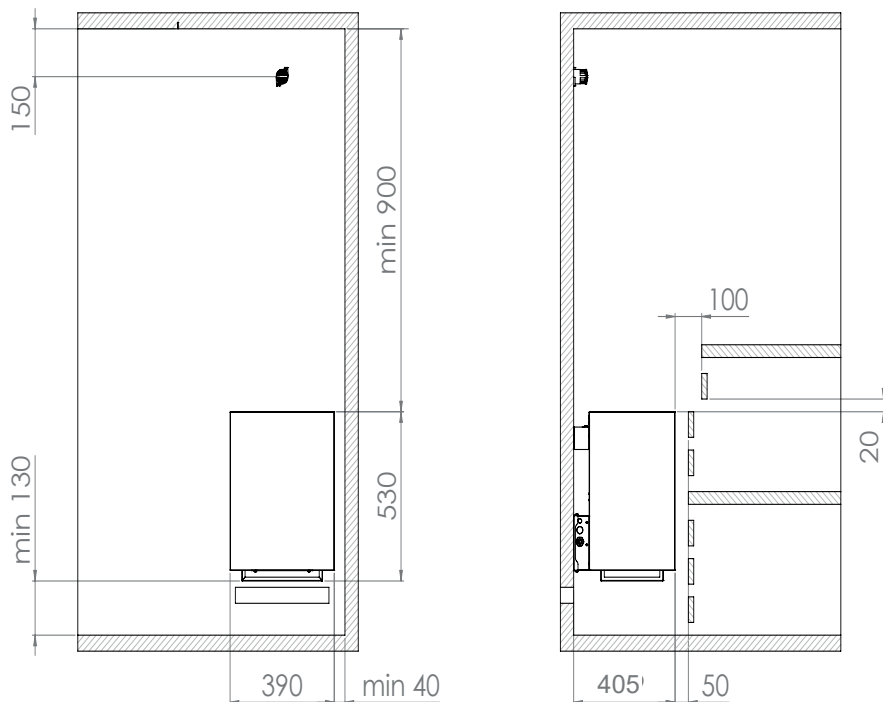
Position the heater centrally in front of the air intake opening on the cabin wall. Observe the safety distances to the cabin wall specified in **Fig. 1**.

Install the temperature sensor with excess temperature cut-out to the cabin wall above the centre of the sauna heater. Maintain a distance of 15 cm to the sauna cabin roof. Observe the assembly instructions for the sauna control unit.

4.2. Safety distances

Observe the minimum safety distances specified in **Fig. 1**.

Fig. 1 Safety distances
Home combi 6.0 kW and 9.0 kW
(HOME-C60 / HOME-C90)
Dimensions in mm



4.3. Installation on the cabin wall

Observe **Fig. 1**, **Fig. 2**, **Fig. 3** and **Fig. 4** (page 11, 12, 13).

1. Attach the mounting rail **1** to the wall horizontally using the wood screws supplied **2**. Observe the minimum distances for the heater shown in Fig. 1.
2. Suspend the heater **3** from the mounting rail from above, moving it downwards. Make sure that the heater is flush with the wall.
3. Secure the heater **3** using the lock screws supplied **4** on the mounting rail **1**.



WARNING!

Risk of fire

- To fix the heater in place and secure it against slippage, use the supplied lock screw **4** for attachment.

Fig. 2 Mounting rail for Home combi
Dimensions in mm

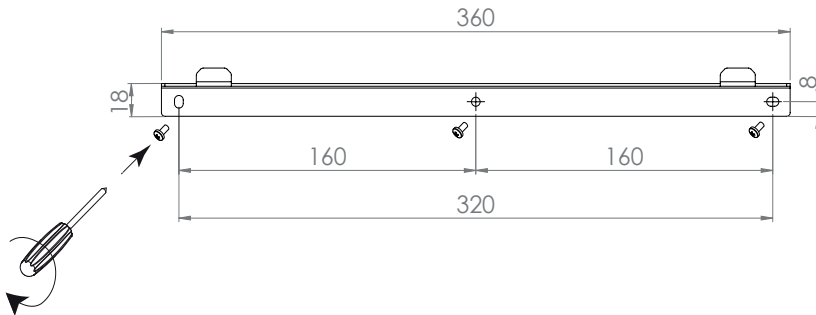
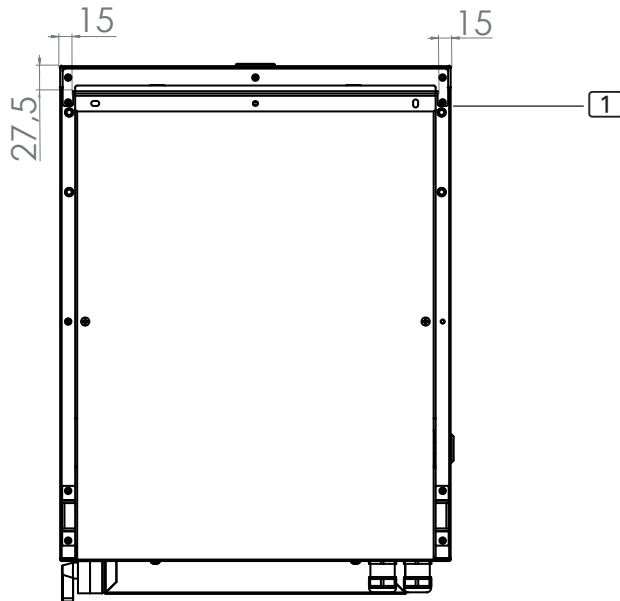
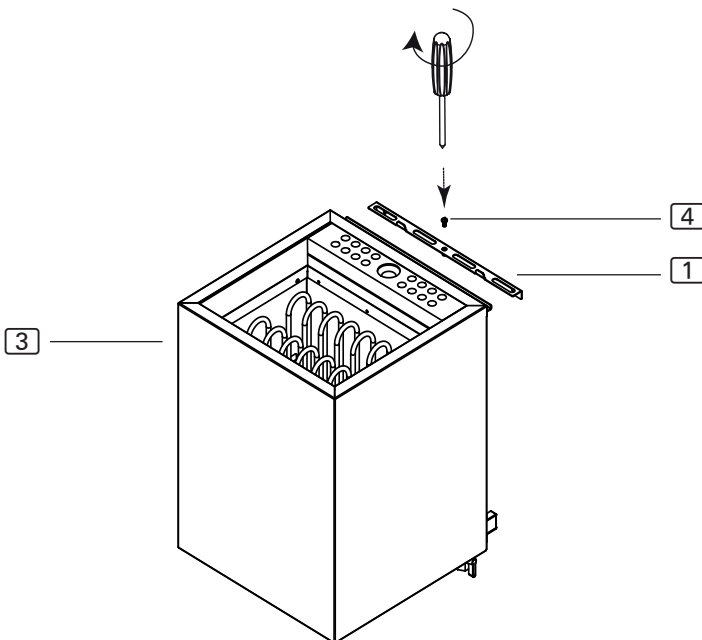


Fig. 3 Position of mounting rail for Home combi
Dimensions in mm



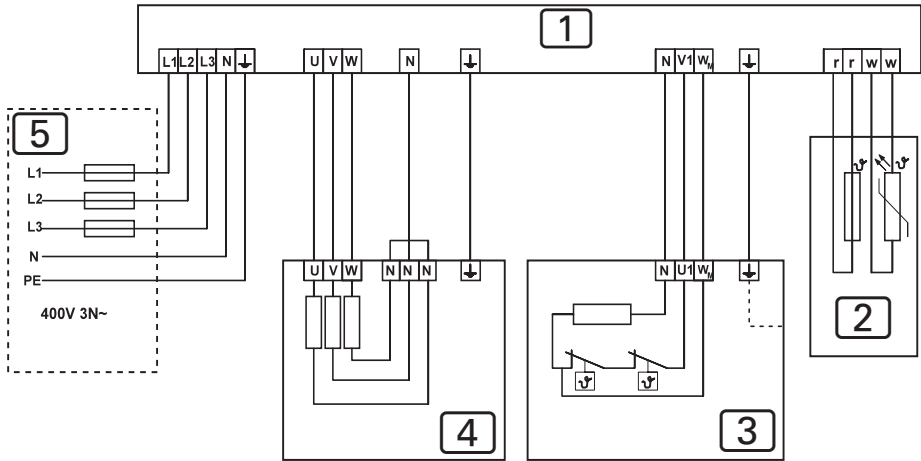
EN

Fig. 4 Securing the Home combi (mounting rail)



4.4. Connection diagram for 400 V 3 N~

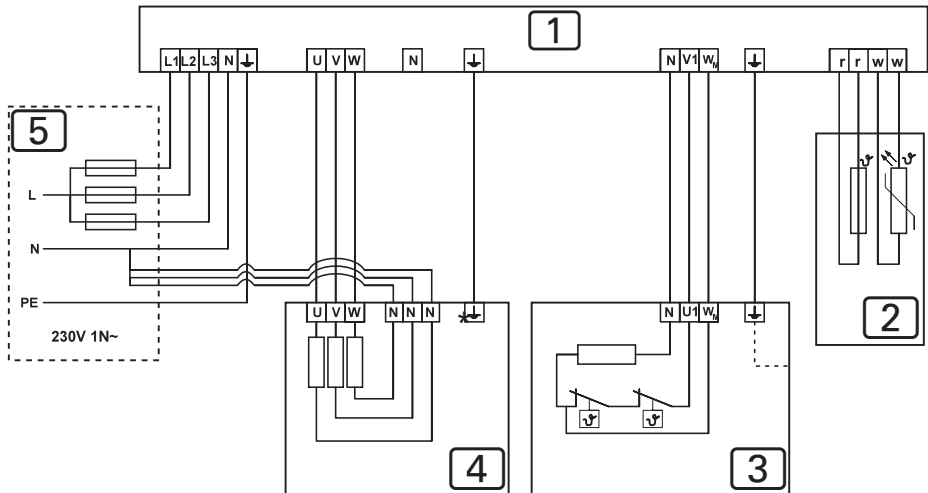
Fig. 5 Connection diagram for 400 V 3 N~
Home combi 6.0 kW and 9.0 kW
(HOME-C60 / HOME-C90)



- 1 Sauna control unit
- 2 Temperature sensor with excess temperature cut-out
- 3 Evaporator 2.0 kW
- 4 6.0 kW or 9.0 kW Heating system
- 5 Power supply

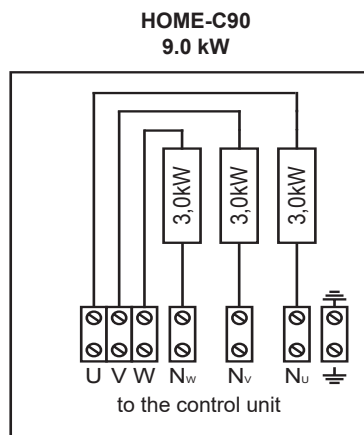
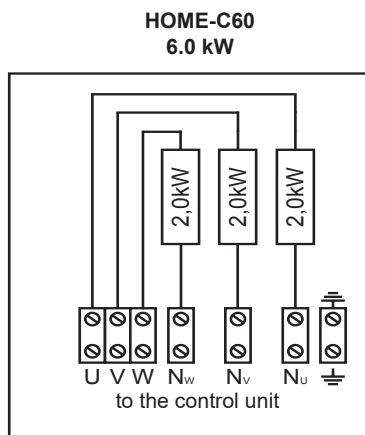
4.5. Connection diagram for 230 V 1 N~

Fig. 6 Connection diagram for 230 V 1 N~
Home combi 6.0 kW and 9.0 kW
(HOME-C60 / HOME-C90)



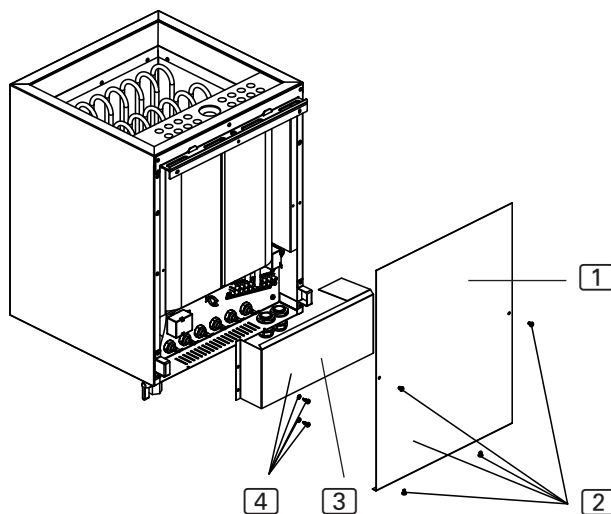
- 1 Sauna control unit
 - 2 Temperature sensor with excess temperature cut-out
 - 3 Evaporator 2.0 kW
 - 4 Heating system 6.0 kW or 9.0 kW
 - 5 Power supply
- * Remove the copper bridge

4.6. Wiring diagrams



4.7. Electrical connection

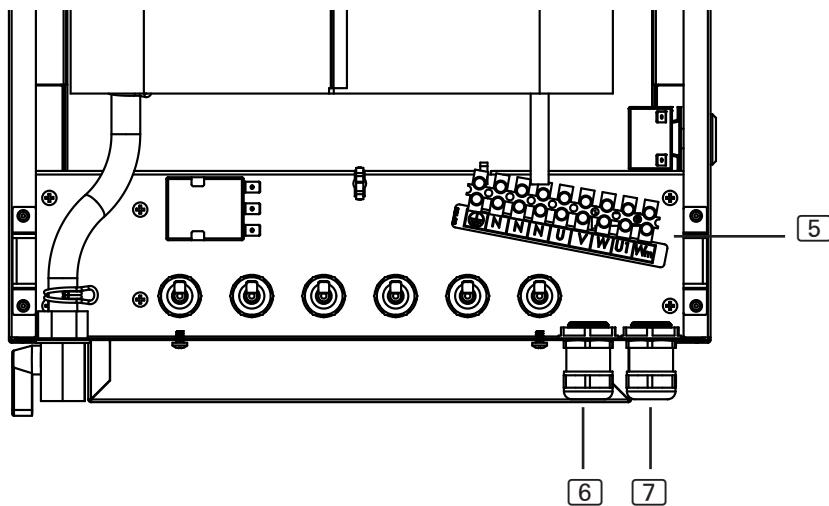
1. Unscrew the screws with a screwdriver.
2. Remove the cover plate .
3. Unscrew the screws with a screwdriver.
4. Remove the cover plate .



Connecting the Home combi 6.0 kW and 9.0 kW

(HOME-C60 / HOME-C90)

1. Guide the connection cable for the heating system through the feed-through **6**.
2. Connect the wires of the connection cable (depending on the type) to the matching terminals of the connector block **5** and to the appropriate sauna control unit terminals. Observe the installation instructions for the sauna control and the connection diagrams on page 14 and 15.
1. Guide the connection cable for the evaporator through the feed-through **7**.
2. Connect the connectors of the evaporator cable to the PE – N – U1 – Wm terminals on the connector block **5** and to the applicable sauna control unit terminals. Observe the installation instructions for the sauna control and the connection diagrams on page 14 and 15.
3. Fasten the cover plates **3** and **1** back on the sauna heater.



- 5** Connection block for the heating system and the evaporator
6 Feed-through for the connection cable of the heating system
7 Feed-through for the evaporator cable

5. Commissioning

5.1. Filling the stone container



WARNING!

Risk of fire due to overheating

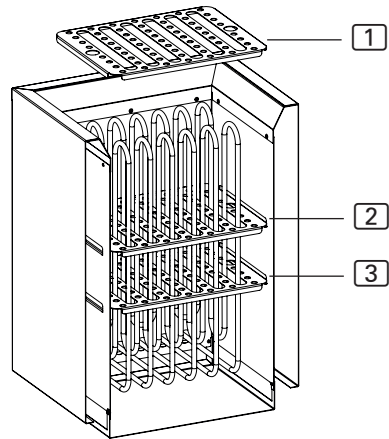
If the sauna heater is used without sauna stones, the cabin walls will become extremely hot. This could cause fires.

- NEVER operate the sauna heater without the sauna stones.

The stone basket **1** can be mounted at two different heights.

Position **2**: fewer stones, shorter heating time, energy saving

Position **3** (set at factory): more stones, larger amount of water for pouring possible, creating more steam, longer heating times



The amount of stones suited to your heater can be found in chapter **Technical data** (see page 27).

1. Wash the stones thoroughly using water and a brush before use. Do not use any cleaning additives.
2. Before filling the heater with the sauna stones, check them for foreign objects and remove any remaining packaging.
3. Place the stones in the stone container and also between the heating rods. Stack the sauna stones loosely so that air can flow through the gaps.
4. **Do NOT allow the heating rods to make contact with one another.**
5. Make sure that the sauna stones do not protrude beyond the edge of the stone container.

5.2. Heating for the first time



CAUTION!

Formation of smoke and odours when heating up for the first time

Materials used during the manufacturing process will be present on the new heating elements. These evaporate when the sauna heater is heated up for the first time. This produces smoke and an unpleasant odour. Breathing in the fumes or smoke can be harmful to your health.

NOTE!

Overheat protector of the device can go off also at temperatures below -5°C / 23°F (storage, transport, environment). Before installation take the device to the warm environment. The overheat protector can be reset when the temperature of the device is approx 18°C / 64°F . The overheat protector must be reset before using the device.

Perform the following steps when **operating the sauna heater for the first time** and if the **heating elements for the sauna heater have been replaced**. This prevents damage to health due to the fumes and smoke produced when heating for the first time.

EN

1. Heating the heating rods for the first time
 - a. Select the highest possible temperature on the sauna control unit.
 - b. Heat up the sauna heater for half an hour.
Do NOT remain in the sauna cabin during this period.
2. Heating the evaporator for the first time
 - a. Select a low temperature and high humidity on the sauna control unit.
 - b. Heat up the evaporator with half the amount of water (see **Filling the evaporator** on page 20)
Do NOT remain in the sauna cabin during this period.
 - c. Switch off the sauna control unit after approx. 15 minutes.
 - d. Allow the evaporator to cool (for approx. half an hour).
 - e. Empty the water tank (see **Filling the evaporator** on page 20)
 - f. Repeat step 2.b.
 - g. Allow the sauna cabin to ventilate thoroughly after heating for the first time.
 - h. If no smoke or odours form the next time the sauna heater is heated, you can start to use the sauna.
If smoke or odours form again, leave the sauna cabin immediately, and repeat the initial heating process, followed by ventilation.

6. Operation

**WARNING!*****Risk of fire***

Combustible objects that are placed on the heater will ignite and cause fires.

- NEVER place combustible objects on the sauna heater.
 - Make sure that NO flammable objects have been placed on the heater before operating it.
-

6.1. Operating the sauna heater

A sauna control unit is used to operate the sauna heater. For information on how to operate the sauna control unit, read the operating instructions for the device used. Please note that only sauna control units without a remote start function are permitted for use with the Home combi sauna heater.

6.2. Finnish sauna mode

In Finnish sauna mode, only the heating system operates. Dry heat is produced. The temperature in the cabin is high (80 to 100 °C). The maximum humidity level of 10% is low. The temperature in the sauna cabin is regulated by your sauna control unit.

At the end of the sauna session, you can pour an infusion of water over the stones. Pour water over the stones using a sauna ladle. The water evaporates and the humidity in the sauna cabin increases.

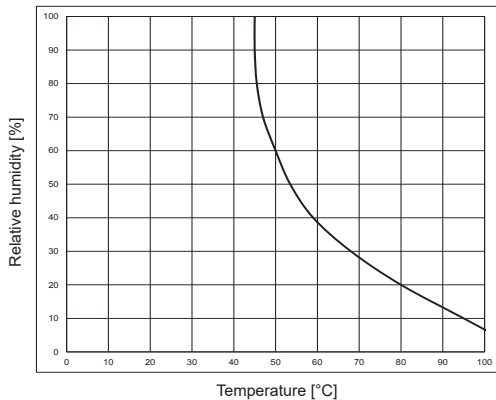
When pouring water over the stones, observe the following points:

- Only use tap water. Sea water, hard water and chlorinated water can damage the sauna heater.
- Only use fragrances and essential oils that are suitable for use in saunas. Follow the manufacturer's instructions on the packaging of the scented substance.
- Do not pour the water onto the stones too quickly. Only this way will all the water evaporate completely.

6.3. Combi mode

Both the heating system and evaporator operate in combi mode. The temperature in the sauna cabin is lower than in Finnish sauna mode (approx. 40 to 65 °C), with the relative humidity being considerably higher at 35% to approximately 70%. The maximum permissible relative humidity decreases with increasing temperature. The temperature and the humidity in the sauna cabin are controlled by your sauna control unit.

Fig. 7 Characteristic for temperature/relative humidity (compliant with EN 60335-2-53)



Only settings on the lower left side of the characteristic curve are possible; e.g.: at 60%, a temperature of 50 °C cannot be exceeded.

EN

The evaporator tank must be filled manually. If the water in the evaporator tank has been used up, an overheating protection function automatically turns off the heating of the evaporator. The lack of water is reported to the sauna control unit and displayed there, e.g. by an audible warning tone and the message "FILL".

ATTENTION!

Damage to the evaporator

Sea water, hard water, chlorinated water, herbs, essences or fragrances can damage the sauna heater.

- Only fill the evaporator tank with tap water.
- Do not put herbs, essences or fragrances directly into the evaporator tank, and only into the ceramic bowl over the evaporator.
- Descale the evaporator regularly (see **7.5 on page 25** on page).

Filling the evaporator



CAUTION!

Risk of scalding

If you pour water into the hot evaporator tank, hot steam is created.

- NEVER pour water into the hot evaporator tank.
- Check and fill the evaporator tank each time before starting combi mode.
- If the overheating protection has switched off evaporator heating, or if your sauna control unit reports a lack of water, allow the evaporator to cool down BEFORE you pour water into the evaporator tank.



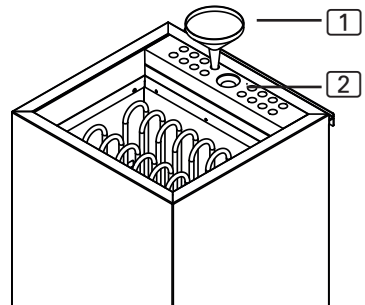
CAUTION!

Risk of scalding

If the evaporator tank is too full, boiling water will spray out of the evaporator tank.

- Fill the evaporator tank with 5 litres of water.

1. Use a funnel **[1]** or remove the soapstone **[2]**.
2. Only fill the evaporator tank with fresh tap water. You will need about 5 litres of water for this. This amount of water allows the evaporator to be operated for approximately 1 hour.
3. Remove the funnel **[1]** or put the soapstone back in.



Using fragrances

If you wish, you can put liquid fragrances or dried herbs on the soapstone. Observe the following points:

- Do not put fragrances directly into the evaporator tank.
- Carefully fill the trough in the soapstone, but only half full, so that the fragrances do not drip through the holes in the evaporator tank.
- Follow the manufacturer's instructions on the packaging of the herbs and fragrances.
- Regularly clean the soapstone under running water.

7. Maintenance

7.1. Extended periods of non-use

Moisture can accumulate in the heating rods in humid ambient conditions or during long periods of non-use. This is a physical process and not a manufacturing fault. Accumulation of moisture in the heating rods can lead to the FI circuit breaker being triggered. In this case, contact an electrician to have the fault corrected (see section **9. Problem-solving by the installer** on page **26**).



Heat the sauna heater for approximately 15 minutes every 5 to 6 weeks. This prevents moisture from building up on the heating rods during extended periods of non-use.

7.2. Cleaning the sauna heater

Make sure that the ventilation openings are free of lint and dust. This prevents the air circulation in the sauna heater from being restricted and prevents the device from overheating.

7.3. Changing the sauna stones

Sauna stones are subject to stress by the water poured on them, and by large fluctuations in temperature which occur during use. The sauna stones can become weak and brittle.

**WARNING!*****Risk of fire due to overheating***

If the sauna heater is used without sauna stones, the cabin walls will become extremely hot. This could cause fires.

- NEVER operate the sauna heater without the sauna stones.

Check the sauna stones at regular intervals and replace the stones at least once a year.

1. Remove the old sauna stones.
2. Clear the stone container of limescale deposits, dust and other contamination.
3. Wash the stones thoroughly using water and a brush before use. Do not use any cleaning additives.
4. Before filling the heater with the sauna stones, check them for foreign objects and remove any remaining packaging.
5. Place the stones in the stone container. Stack the sauna stones loosely so that air can flow through the gaps.
6. Make sure that the sauna stones do not protrude beyond the edge of the stone container.

7.4. Cleaning the evaporator tank

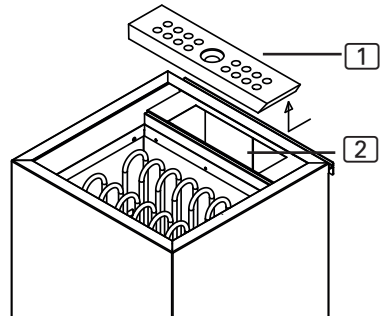
Drain and clean the evaporator tank after each use. Perform the following steps:

1. Wait until the water in the evaporator has cooled.
2. Place a receptacle (at least 5 litres) under the ball valve at the bottom of the evaporator.
3. Open the ball valve to the left until the remaining water flows out.
4. When the evaporator tank is empty, close the ball valve.
5. Remove the soapstone.
6. Clean the evaporator tank with a household brush with plastic bristles. Take care not to damage the tank sensor leads. Rinse with water.
7. Put the soapstone back in.

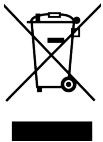
7.5. Descaling the evaporator tank

Descale the evaporator tank as required. To do this, use a descaling agent for household appliances. Observe the specifications and safety information provided by the manufacturer.

1. Remove the soapstone.
2. Empty the evaporator tank.
3. Prepare the descaling solution according to the manufacturer's instructions.
4. Fill the evaporator with the descaling solution up to the top of the limescale.
5. Let the descaling solution take effect according to the manufacturer's instructions.
6. Place a receptacle under the ball valve at the bottom of the evaporator and drain the evaporator tank.
7. Rinse the evaporator tank twice with cold tap water.



8. Disposal



- Please dispose of packaging materials in accordance with the applicable disposal regulations.
- Used units contain reusable materials as well as hazardous substances. Therefore, do not dispose of your used unit with household waste, but rather do so in accordance with the locally applicable regulations.

9. Problem-solving by the installer

Baking out of the heating rods

Moisture can accumulate in the heating rods in humid ambient conditions or during long periods of non-use. This is a physical process and not a manufacturing fault. Under certain circumstances, accumulation of moisture in the heating rods can lead to the FI circuit breaker being triggered.

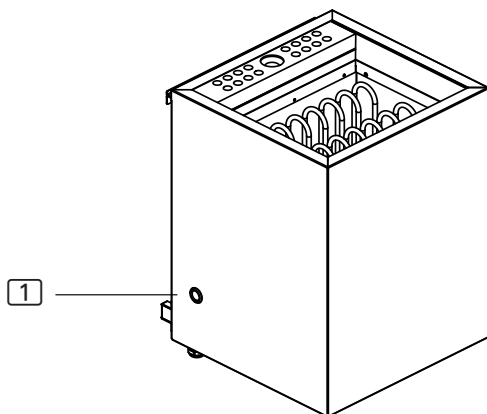
In this case, it is necessary to bake out the sauna heater under the supervision of an electrician. To do this, the protective function of the FI circuit breaker must be switched off. The baking out procedure takes approximately 10 minutes. The safety function of the FI circuit breaker must subsequently be reactivated.

If the problem persists, consult your supplier.

Resetting the overheat cut-out of the evaporator

A temperature switch is responsible detecting any lack of water. If a certain water level in the evaporator tank is not complied with (approx. 1 l), this temperature switch switches off the heating element. At the same time, the feedback to the WM control unit falls to 0 V – the control unit displays the message “LOW WATER”.

In case the evaporator still overheats, there is a temperature cut-out as protection. This cut-out must be reset manually. To do this, press the contact in the left side wall **1**.

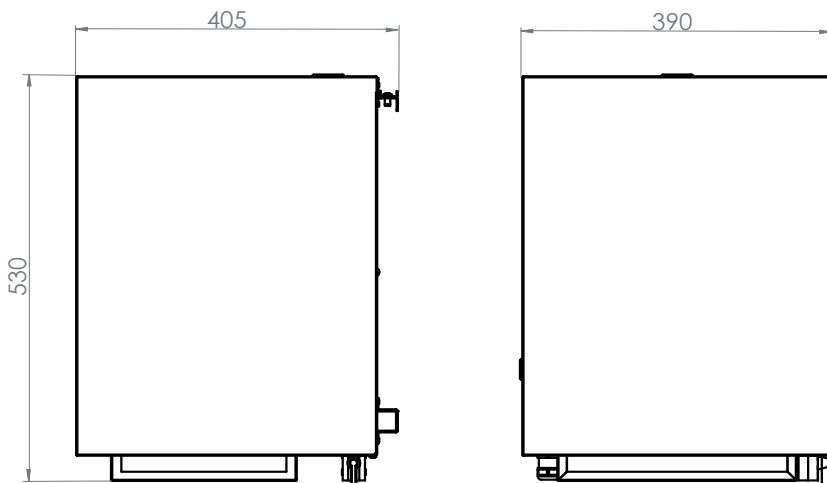


10. Technical data

<i>Item number</i>	<i>Power rating [kW]</i>	<i>Power rating of the evaporator [kW]</i>	<i>Cabin volume [m³]</i>	<i>Amount of stones [kg]</i>	<i>Weight without stones [kg]</i>
HOME-C60	6.0	2.0	5 - 9	approx. 20 / 30	17
HOME-C90	9.0	2.0	8 - 14	approx. 20 / 30	17

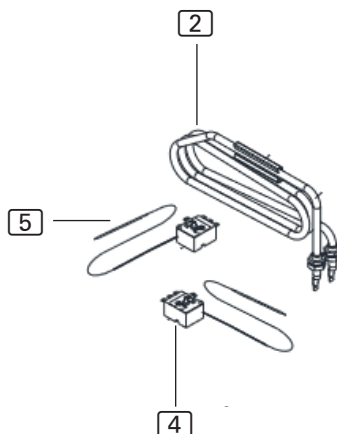
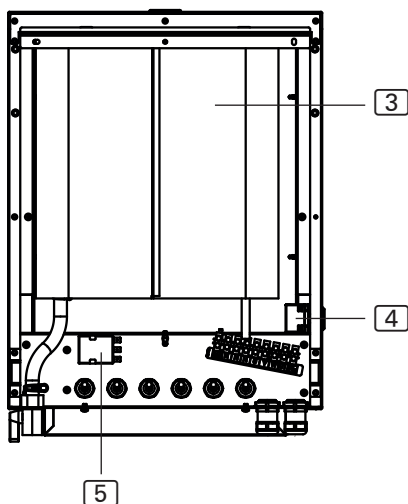
<i>Item number</i>	<i>Minimum size of ventilation opening [mm]</i>	<i>Fuse [A]</i>	<i>Supply voltage</i>
HOME-C60	350 x 35	3 x 10	400 V AC 3N~ 50/60 Hz 230 V AC 1N~ 50/60 Hz
HOME-C90	350 x 50	3 x 16	400 V AC 3N~ 50/60 Hz 230 V AC 1N~ 50/60 Hz

Fig. 8 Dimensions of Home combi 6.0 kW and 9.0 kW (HOME-C60 / HOME-C90)
Measurements in mm



11. Spare parts

No.	Name	Item numbers	Quantity
1	Heating elements 2000 W	HP-HOME-200 (1-043-618)	3
1	Heating elements 3000 W	HP-HOME-300 (1-043-620)	3
2	Heating element for evaporator 2000 W	VZH-104(1-047-023)	1
3	Complete evaporator unit	WX671 (1-051-000)	1
4	Temperature cut-out 140 °C	ZSK-764 (1-046-109)	1
5	Thermostat 110 °C	ZSN-250 (1-046-108)	1



Saunaofen

Home combi

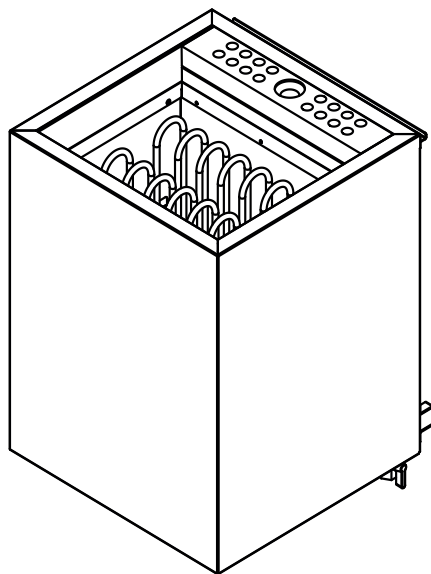
HOME-C60 / 1-050-408: Home combi 6,0 kW

HOME-C90 / 1-050-411: Home combi 9,0 kW

MONTAGE- UND GEBRAUCHSANWEISUNG

Deutsch

DE



Inhaltsverzeichnis

1. Zu dieser Anleitung	4
2. Wichtige Hinweise zu Ihrer Sicherheit	5
2.1. Bestimmungsgemäßer Gebrauch	5
2.2. Sicherheitshinweise für den Monteur	6
2.3. Sicherheitshinweise für den Anwender	7
3. Produktbeschreibung	8
3.1. Lieferumfang	8
3.2. Zubehör	8
3.3. Produktfunktionen	8
4. Montage und Anschluss	8
4.1. Aufstellort und Fühlerposition	9
4.2. Sicherheitsabstände	9
4.4. Montage an der Kabinenwand	10
4.5. Anschlussplan für 400V 3N~	12
4.6. Anschlussplan für 230V 1N~	13
4.8. Verdrahtungsschemen	14
4.7. Elektrischer Anschluss	14
5. Inbetriebnahme	16
5.1. Steinebehälter füllen	16
5.2. Erstmaliges Aufheizen	17
6. Bedienung	18
6.1. Saunaofen bedienen	18
6.2. Finnischer Saunabetrieb	18
6.3. Kombi-Betrieb	19

7. Wartung	21
7.1. Längere Betriebspausen.....	21
7.2. Saunaofen reinigen.....	21
7.3. Saunasteine wechseln.....	22
7.4. Verdampferbehälter reinigen.....	22
7.5. Verdampferbehälter entkalken.....	23
8. Entsorgung	23
9. Problemlösung durch den Monteur	24
10. Technische Daten	25
11. Ersatzteile	26

1. Zu dieser Anleitung

Lesen Sie diese Montage- und Gebrauchsanweisung gut durch und bewahren Sie sie in der Nähe der Sauna auf. So können Sie jederzeit Informationen zu Ihrer Sicherheit und zur Bedienung nachlesen.



Sie finden diese Montage- und Gebrauchsanweisung auch im Downloadbereich unserer Webseite auf www.sentiotec.com/downloads.

Symbole in Warnhinweisen

In dieser Montage- und Gebrauchsanweisung ist vor Tätigkeiten, von denen eine Gefahr ausgeht, ein Warnhinweis angebracht. Befolgen Sie diese Warnhinweise unbedingt. So vermeiden Sie Sachschäden und Verletzungen, die im schlimmsten Fall sogar tödlich sein können.

In den Warnhinweisen werden Signalwörter verwendet, die folgende Bedeutungen haben:



GEFAHR!

Wenn Sie diesen Warnhinweis nicht beachten, sind Tod oder schwere Verletzungen die Folge.



WARNUNG!

Wenn Sie diesen Warnhinweis nicht beachten, können Tod oder schwere Verletzungen die Folge sein.



VORSICHT!

Wenn Sie diesen Warnhinweis nicht befolgen, können leichte Verletzungen die Folge sein.

ACHTUNG!

Dieses Signalwort warnt Sie vor Sachschäden.

Andere Symbole



Dieses Symbol kennzeichnet Tipps und nützliche Hinweise.



Nicht abdecken!



Bedienungsanleitung lesen

2. Wichtige Hinweise zu Ihrer Sicherheit

Der Saunaofen Home combi ist nach anerkannten sicherheitstechnischen Regeln gebaut. Dennoch können bei der Verwendung Gefahren entstehen. Befolgen Sie deshalb die folgenden Sicherheitshinweise und die speziellen Warnhinweise in den einzelnen Kapiteln.

2.1. Bestimmungsgemäßer Gebrauch

Der Home combi ist ein Saunaofen mit integriertem Verdampfer. Der Home combi darf nur zur Erwärmung von Saunakabinen und zur Erhöhung der Luftfeuchtigkeit in der Saunakabine verwendet werden. Der Home combi darf nur in Kombination mit einer Saunasteuerung ohne Fernstartfunktion verwendet werden.

Nur in Kombination mit der optional erhältlichen Sicherheitsabschaltung darf der Saunaofen Home combi auch mit einer Saunasteuerung, die über eine Fernstartfunktion verfügt, betrieben werden.

Nur in Kombination mit der optional erhältlichen Sicherheitsabschaltung darf der Saunaofen Home combi auch in öffentlichen Saunen eingesetzt werden.

Jeder darüber hinausgehende Gebrauch gilt als nicht bestimmungsgemäß. Nicht bestimmungsgemäßer Gebrauch kann zur Beschädigung des Produkts, zu schweren Verletzungen oder Tod führen.

2.2. Sicherheitshinweise für den Monteur

- Montage- und Anschlussarbeiten am Saunaofen dürfen nur im spannungsfreien Zustand durchgeführt werden.
- Die Montage darf nur durch eine Elektrofachkraft oder eine vergleichsweise qualifizierte Person ausgeführt werden.
- Es ist bauseits eine allpolige Trennvorrichtung mit voller Abschaltung entsprechend der Überspannungskategorie III vorzusehen.
- Verwenden Sie zum Anschluss des Saunaofens ausschließlich bis 150 °C temperaturbeständige Silikonleitungen.
- Installieren Sie nur einen Saunaofen in der Kabine. Der Saunaofen Home fin darf nicht gemeinsam mit anderen Saunanöfen in einer Saunakabine verwendet werden.
- Decken und Wände der Saunakabine sind aus harzarmen, unbehandelten oder thermisch behandelten Hölzern, z.B. nordischer Fichte, Hemlock, Kiefer oder Tanne, oder aus Holzlagen-Werkstoffen herzustellen. Bei Verwendung von Holzlagen-Werkstoffen ist darauf zu achten, dass deren Klebstoffe kein Formaldehyd abgeben. Werden andere Werkstoffe als Holz in der Saunakabine eingesetzt, müssen diese Materialien hitze- und korrosionsbeständig sein und dürfen keine negativen Auswirkungen auf die Gesundheit der Saunagäste haben.
- Die Höhe der Saunakabine muss mindestens 1,9 m betragen.
- Beachten Sie die Vorgaben zum Volumen und zur Belüftung der Saunakabine in Kapitel **10. Technische Daten** auf Seite **25**.
- Beachten Sie beim Aufstellen des Saunaofens die minimalen Sicherheitsabstände (siehe Kapitel **4.2. Sicherheitsabstände**).
- Beachten Sie auch die örtlichen Bestimmungen am Aufstellort.
- Bei Problemen, die in den Montageanweisungen nicht ausführlich genug behandelt werden, wenden Sie sich zu Ihrer eigenen Sicherheit an Ihren Lieferanten.

2.3. Sicherheitshinweise für den Anwender

- Das Gerät darf nicht von Kindern unter 8 Jahren verwendet werden.
- Das Gerät darf von Kindern über 8 Jahren, von Personen mit verringerten psychischen, sensorischen oder mentalen Fähigkeiten und von Personen mit Mangel an Erfahrung und Wissen unter folgenden Bedingungen verwendet werden:
 - wenn sie beaufsichtigt werden.
 - wenn ihnen die sichere Verwendung gezeigt wurde und sie die Gefahren, die entstehen können, verstehen.
- Kinder dürfen nicht mit dem Gerät spielen.
- Kinder unter 14 Jahren dürfen das Gerät nur reinigen, wenn sie beaufsichtigt werden.
- Wenn Sie unter dem Einfluss von Alkohol, Medikamenten oder Drogen stehen, verzichten Sie aus gesundheitlichen Gründen auf das Saunabad.
- Nehmen Sie den Saunaofen niemals ohne Saunasteine in Betrieb, da dies Brände verursachen kann.
- Stellen Sie sicher, dass keine brennbaren Gegenstände auf dem Saunaofen liegen, bevor Sie die Saunasteuerung einschalten.
- Heizen Sie VOR dem ersten Saunabad den Saunaofen für eine halbe Stunde auf. Halten Sie sich während dieser Zeit NICHT in der Saunkabine auf. Lüften Sie anschließend die Saunakabine gut durch (siehe **5.2. Erstmaliges Aufheizen** auf Seite 17).
- Berühren Sie niemals den Saunaofen während des Betriebs. Die Oberfläche des Saunaofens und die Saunasteine werden sehr heiß.
- Bei Problemen, die in der Gebrauchsanweisung nicht ausführlich genug behandelt werden, wenden Sie sich zu Ihrer eigenen Sicherheit an Ihren Lieferanten.

3. Produktbeschreibung

3.1. Lieferumfang

- Saunaofen
- Montage- und Gebrauchsanweisung

3.2. Zubehör

Zubehör	Artikelnummer
Abschaltwippe	SFE-350400 / 1-045-583

4.3. Produktfunktionen

- **Finnischer Saunabetrieb:** üblicherweise 80 bis 100 °C; ca. 10 % rel. Luftfeuchte
- **Kombi-Betrieb** (nur in Kombination mit einer Kombi-Steuerung): ca. 40 bis 65° C, 35 % bis ca. 70 % Luftfeuchte. Die maximal zulässige Luftfeuchte sinkt mit steigender Temperatur.

4. Montage und Anschluss

Berücksichtigen Sie folgende Punkte beim Aufstellen und beim Anschluss des Saunaofens:



WARNUNG!

Stromschlag-Gefahr

- Führen Sie Montage- und Anschlussarbeiten am Saunaofen nur im spannungsfreien Zustand durch.
- Der elektrische Anschluss darf nur durch eine Elektrofachkraft oder eine vergleichsweise qualifizierte Person ausgeführt werden.
- Es ist bauseits eine allpolige Trennvorrichtung mit voller Abschaltung entsprechend der Überspannungskategorie III vorzusehen.
- Der Saunaofen Home fin ist ein Wandofen. Der feste Sitz des Ofens auf der Montageleiste ist vor der Inbetriebnahme zu überprüfen.

4.1. Aufstellort und Fühlerposition

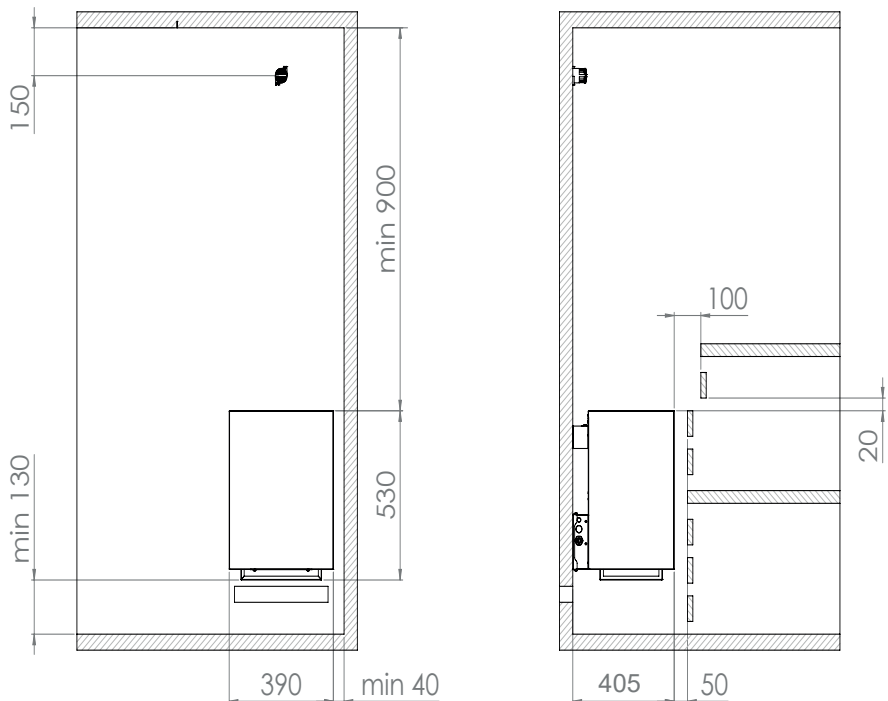
Montieren Sie den Ofen mittig vor die Lufteintrittsöffnung an der Kabinenwand. Halten Sie dabei die in **Abb.1** angegebenen Sicherheitsabstände zur Kabinenwand ein.

Montieren Sie den Temperaturfühler mit Übertemperatur-Sicherung an der Kabinenwand oberhalb der Mitte des Saunaofens. Halten Sie einen Abstand von 15 cm zur Kabinendecke ein. Beachten Sie die Angaben in der Montageanleitung der Saunasteuerung.

4.2. Sicherheitsabstände

Beachten Sie die in der **Abb.1** angegebenen minimalen Sicherheitsabstände.

Abb.1 Sicherheitsabstände
Home combi 6,0 kW und 9,0 kW
(HOME-C60 / HOME-C90)
Maße in mm



4.4. Montage an der Kabinenwand

Beachten Sie die **Abb. 1**, **Abb. 2**, **Abb. 3** und **Abb. 4** (Seite **9**, **10**, **11**).

1. Befestigen Sie die Montageleiste **1** waagrecht mit den beiliegenden Holzschrauben **2** an der Wand. Beachten Sie dabei die Mindestabstände des Ofens in Abb. 1.
2. Hängen Sie den Ofen **3** von oben nach unten an der Montageleiste ein. Achten Sie dabei auf den bündigen Sitz des Ofens.
3. Sichern Sie den Ofen **3** mittels beiliegender Sicherungsschraube **4** auf der Montageleiste **1**.



WARNUNG! **Brandgefahr**

- Um den Ofen zu fixieren und gegen Verrutschen zu sichern, befestigen Sie diesen mit der beiliegenden Sicherungsschraube **4**.

Abb.2 Montageleiste Home combi
Maße in mm

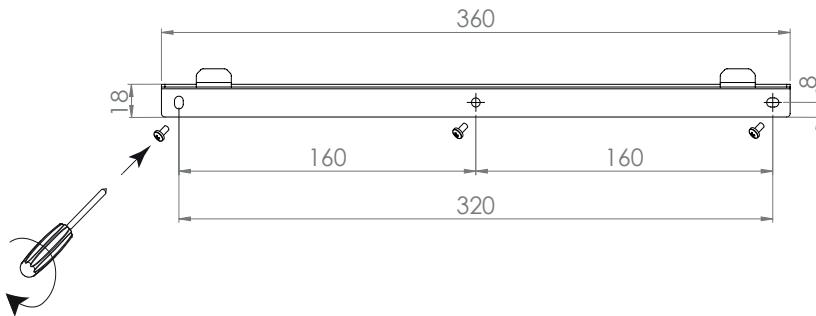


Abb.3 Position der Montageleiste Home combi
Maße in mm

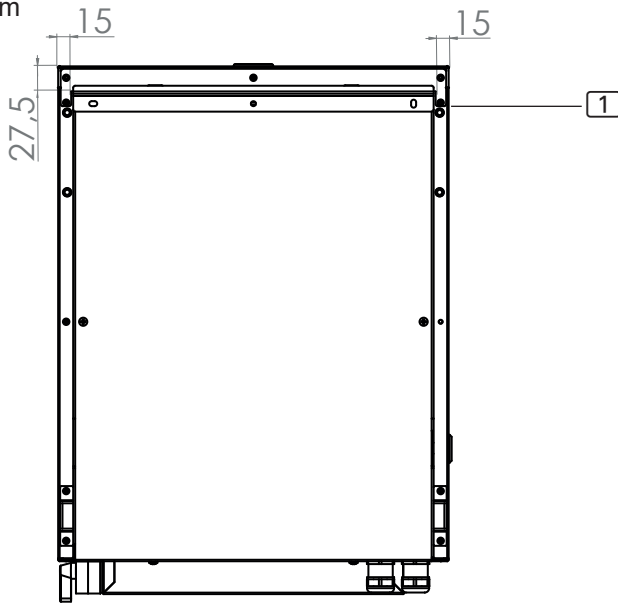
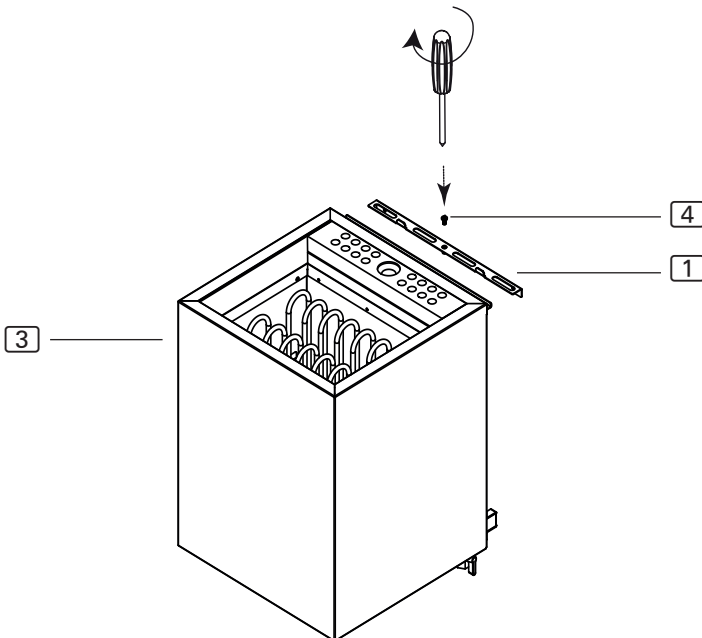
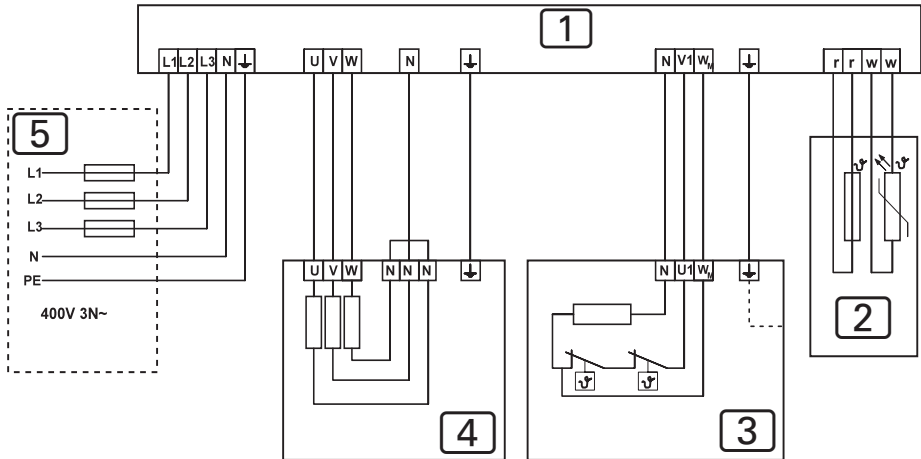


Abb.4 Sicherung Home combi (Montageleiste)



4.5. Anschlussplan für 400V 3N~

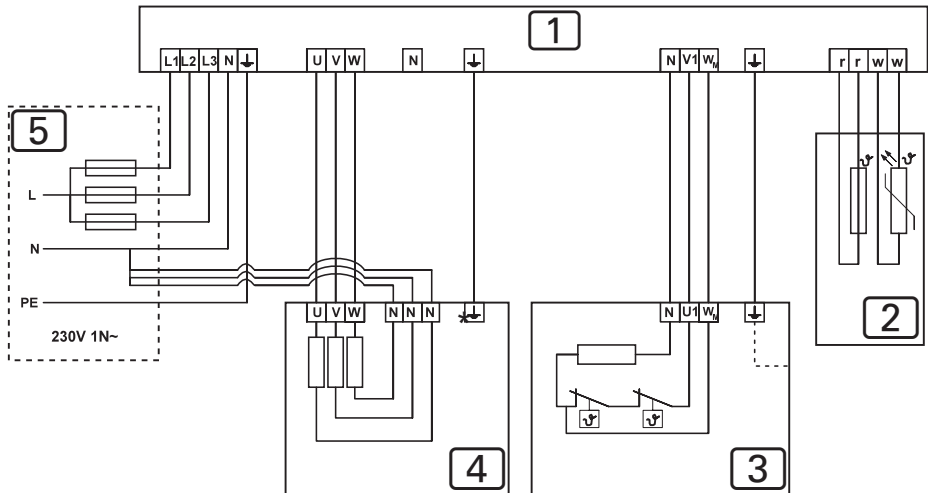
Abb.5 Anschlussplan 400V 3N~
Home combi 6,0 kW und 9,0 kW
(HOME-C60 / HOME-C90)



- 1 Saunasteuerung
- 2 Temperaturfühler mit Übertemperatur-Sicherung
- 3 Verdampfer 2,0 kW
- 4 Heizsystem 6,0 kW oder 9,0 kW
- 5 Stromversorgung

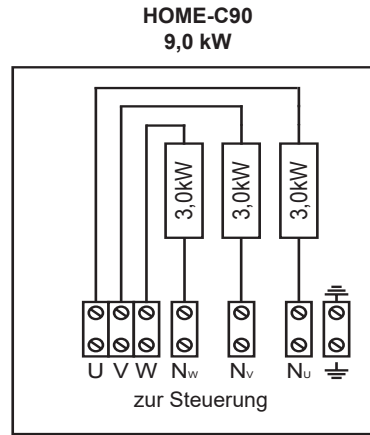
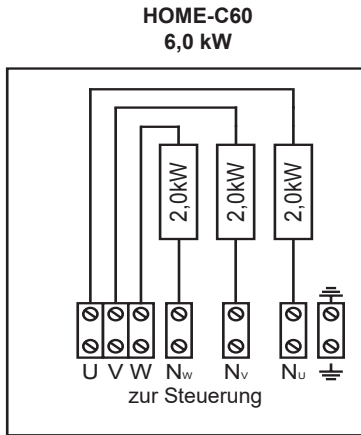
4.6. Anschlussplan für 230V 1N~

Abb.6 Anschlussplan 230V 1N~
Home combi 6,0 kW und 9,0 kW
(HOME-C60 / HOME-C90)



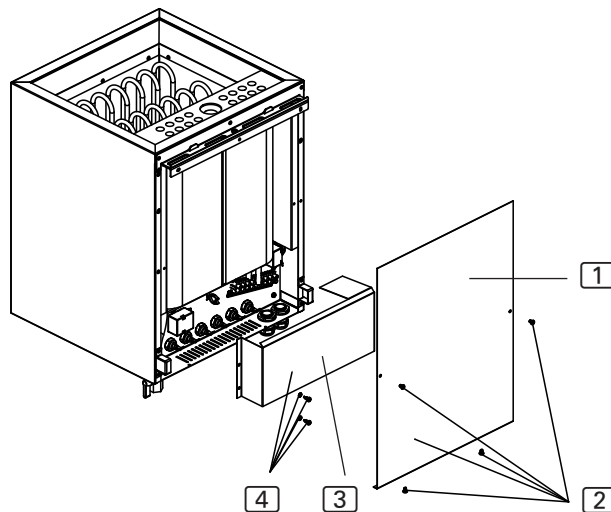
- 1 Saunasteuerung
 - 2 Temperaturfühler mit Übertemperatur-Sicherung
 - 3 Verdampfer 2,0 kW
 - 4 Heizsystem 6,0 kW oder 9,0 kW
 - 5 Stromversorgung
- * Kupfer-Brücke entfernen

4.8. Verdrahtungsschemen



4.7. Elektrischer Anschluss

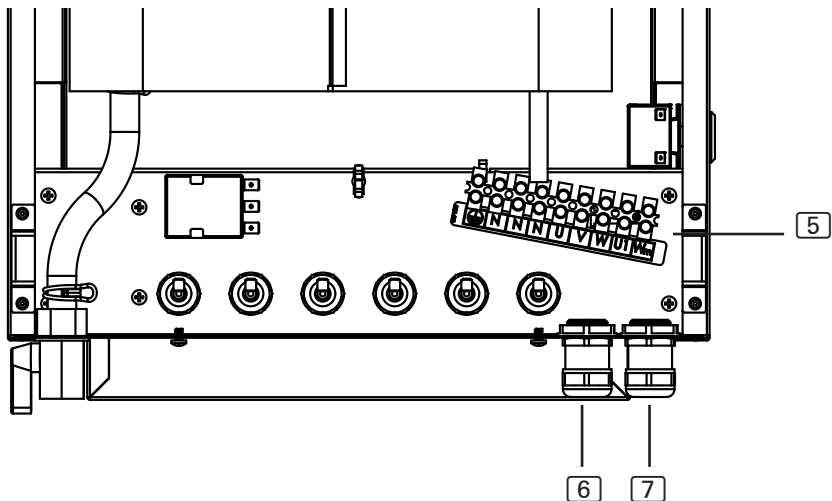
1. Lösen Sie die Schrauben 2 mit einem Schraubendreher.
2. Entfernen Sie das Abdeckblech 1.
3. Lösen Sie die Schrauben 4 mit einem Schraubendreher.
4. Entfernen Sie das Abdeckblech 3.



Anschluss Home combi 6,0 kW und 9,0 kW

(HOME-C60 / HOME-C90)

1. Führen Sie das Anschlusskabel für das Heizsystem durch die Durchführung **6**.
2. Schließen Sie die Adern des Anschlusskabels je nach Anschlussart an den passenden Klemmen der Anschlussleiste **5** und an den passenden Klemmen der Saunasteuerung an. Beachten Sie dabei die Montageanleitung der Saunasteuerung und die Anschlusspläne auf Seite 12 und 13.
1. Führen Sie das Anschlusskabel für den Verdampfer durch die Durchführung **7**.
2. Schließen Sie die Adern des Verdampferkabels an den Klemmen PE – N – U1 – Wm an der Anschlussleiste **5** und an den passenden Klemmen der Saunasteuerung an. Beachten Sie dabei die Montageanleitung der Saunasteuerung und die Anschlusspläne auf Seite 12 und 13.
3. Befestigen Sie die Abdeckbleche **3** und **1** wieder am Saunaofen.



5 Anschlussleiste für das Heizsystem und den Verdampfer

6 Durchführung für das Anschlusskabel des Heizsystems

7 Durchführung für das Verdampferkabel

5. Inbetriebnahme

5.1. Steinebehälter füllen



WARNUNG!

Brandgefahr durch Überhitzung

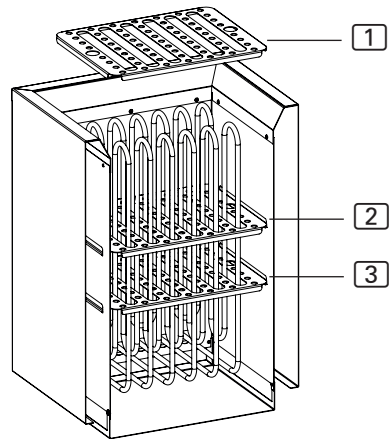
Wird der Saunaofen ohne Saunasteine verwendet, erhitzen sich die Kabinenwände stark. Dadurch können Brände verursacht werden.

- Nehmen Sie den Saunaofen **NIEMALS** ohne Saunasteine in Betrieb.

Das Steingitter **1** kann in zwei verschiedenen Höhen montiert werden.

Position **2**: geringere Steinemenge, kürzere Aufheizzeiten, Energieeinsparung

Position **3** (Position ab Werk): größere Steinemenge, größere Wassermenge beim Aufgießen möglich - dadurch mehr Dampf, längere Aufheizzeiten



Die für Ihren Ofen passende Steinemenge finden Sie im Kapitel **Technische Daten** (siehe Seite 25).

1. Waschen Sie die Saunasteine vor der Verwendung gründlich mit Bürste und Wasser. Verwenden Sie keine Reinigungszusätze.
2. Prüfen Sie die Steine vor dem Einfüllen in den Saunaofen auf Fremdkörper und entfernen Sie Verpackungsreste.
3. Legen Sie die Saunasteine in den Steinbehälter - auch zwischen den Heizstäben. Schichten Sie die Saunasteine locker, damit Luft durch die Zwischenräume strömen kann.
4. **Beachten Sie, dass sich die Heizstäbe NICHT gegenseitig berühren.**
5. Achten Sie darauf, dass die Saunasteine nicht über den Rand des Steinbehälters ragen.

5.2. Erstmaliges Aufheizen



VORSICHT!

Rauch- und Geruchsbildung beim ersten Aufheizen

Auf neuen Heizstäben befinden sich Betriebsstoffe aus dem Fertigungsprozess. Diese zersetzen sich beim ersten Aufheizen des Saunaofens. Dabei entsteht Rauch und unangenehmer Geruch. Wenn Sie diese Dämpfe oder den Rauch einatmen, schadet dies Ihrer Gesundheit.

ACHTUNG!

Der Überhitzungsschutz des Geräts kann auch bei Temperaturen unter $-5\text{ }^{\circ}\text{C}$ / 23°F (Lagerung, Transport, Umgebung) auslösen. Bringen Sie das Gerät vor der Installation in eine warme Umgebung. Der Überhitzungsschutz kann bei einer Gerätetemperatur von ca. $18\text{ }^{\circ}\text{C}$ / 64°F zurückgesetzt werden. Vor Verwendung des Geräts muss der Überhitzungsschutz zurückgesetzt werden.

Führen Sie folgende Schritte durch, wenn Sie Ihren Saunaofen **erstmalig in Betrieb** nehmen und wenn die **Heizstäbe Ihres Saunaofens getauscht** wurden. Sie verhindern so Gesundheitsschäden durch Dämpfe und Rauch, die beim ersten Aufheizen entstehen.

1. Heizstäbe erstmalig aufheizen
 - a. Wählen Sie an der Saunasteuerung die höchst mögliche Temperatur.
 - b. Heizen Sie den Saunaofen für eine halbe Stunde auf.
Halten Sie sich während dieser Zeit NICHT in der Saunakabine auf.
2. Verdampfer erstmalig aufheizen
 - a. Wählen Sie an der Saunasteuerung eine niedrige Temperatur und eine hohe Luftfeuchte.
 - b. Heizen Sie den Verdampfer mit halber Wassermenge auf (siehe **Verdampfer befüllen** auf Seite 20)
Halten Sie sich während dieser Zeit NICHT in der Saunakabine auf.
 - c. Nach ca. 15 Minuten schalten Sie die Saunasteuerung aus.
 - d. Lassen Sie den Verdampfer abkühlen (ca. eine halbe Stunde).
 - e. Entleeren Sie den Wassertank (siehe **Verdampfer befüllen** auf Seite 20)
 - f. Wiederholen Sie Punkt 2.b.
 - g. Lüften Sie nach dem ersten Aufheizen die Saunakabine gut durch.
 - h. Wenn beim nächsten Aufheizen kein Rauch und kein Geruch mehr entstehen, können Sie mit dem ersten Saunabad beginnen.
Wenn erneut Rauch oder Geruch entsteht, verlassen Sie sofort die Saunakabine und wiederholen Sie das erstmalige Aufheizen mit anschließendem Lüften.

6. Bedienung



WARNUNG!

Brandgefahr

Brennbare Gegenstände, die auf dem heißen Saunaofen liegen, entzünden sich und verursachen Brände.

- Legen Sie **NIEMALS** brennbare Gegenstände auf den Saunaofen.
- Stellen Sie sicher, dass **KEINE** brennbaren Gegenstände auf dem Saunaofen liegen, bevor Sie den Saunaofen in Betrieb nehmen.

6.1. Saunaofen bedienen

Die Bedienung des Saunaofens erfolgt über eine Saunasteuerung. Für Informationen zur Bedienung der Saunasteuerung lesen Sie die Bedienungsanleitung des verwendeten Geräts. Beachten Sie, dass der Saunaofen Home combi nur für Saunasteuerungen ohne Fernstartfunktion geeignet ist.

6.2. Finnischer Saunabetrieb

Beim finnischen Saunabetrieb ist nur das Heizsystem im Betrieb. Es steht trockene Wärme zur Verfügung. Die Temperatur in der Kabine ist hoch (80 bis 100 °C). Die Feuchtwerte sind mit maximal 10 % gering. Die Temperatur in der Saunakabine wird durch Ihre Saunasteuerung geregelt.

Am Ende des Saunaganges können Sie einen Aufguss durchführen. Gießen Sie dazu Wasser mit einer Saunakelle über die Saunasteine. Dadurch wird das Wasser verdampft und die Luftfeuchtigkeit in der Saunakabine erhöht.

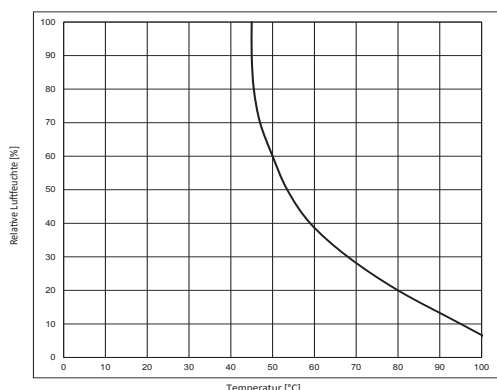
Beachten Sie beim Aufguss folgende Punkte:

- Verwenden Sie zum Aufgießen nur Leitungswasser. Meerwasser, stark kalkhaltiges und chloriertes Wasser können den Saunaofen beschädigen.
- Verwenden Sie nur Duftstoffe und ätherische Öle, die ausdrücklich für die Verwendung als Aufgussmittel in Saunen geeignet sind. Beachten Sie die Herstellerangaben auf der Verpackung der Aufgussmittel.
- Gießen Sie das Wasser nicht zu schnell über die Saunasteine. Nur dann wird das Aufgusswasser vollständig verdampft.

6.3. Kombi-Betrieb

Im Kombi-Betrieb sind das Heizsystem und der Verdampfer im Betrieb. Die Temperatur in der Saunakabine ist niedriger als im finnischen Saunabetrieb (ca. 40 bis 65 °C), dafür ist die relative Luftfeuchte mit 35 % bis ungefähr 70 % wesentlich höher. Die maximal zulässige Luftfeuchte sinkt mit steigender Temperatur. Die Temperatur und die Luftfeuchte in der Saunakabine werden durch Ihre Saunasteuerung geregelt.

Abb.7 Kennlinie Temperatur / Relative Luftfeuchte (EN60335-2-53 konform)



Es sind lediglich Einstellungen links unterhalb der Kennlinie möglich. z. Bsp.: bei 60% kann eine Temperatur von 50°C nicht überschritten werden.

DE

Der Verdampferbehälter muss händisch befüllt werden. Wenn der Wasservorrat im Verdampferbehälter aufgebraucht ist, schaltet ein Überhitzungsschutz die Heizung des Verdampfers automatisch aus. Der Wassermangel wird an die Saunasteuerung gemeldet und wird dort angezeigt, z.B. durch einen akustischen Warnton und die Meldung "FILL".

ACHTUNG!

Beschädigung des Verdampfers

Meerwasser, stark kalkhaltiges und chloriertes Wasser, Kräuter, Essenzens oder Duftstoffe können den Verdampfer beschädigen.

- Befüllen Sie den Verdampferbehälter nur mit Leitungswasser.
- Geben Sie Kräuter, Essenzen oder Duftstoffe nicht direkt in den Verdampferbehälter, sondern nur in die Keramikschale über dem Verdampfer.
- Entkalken Sie den Verdampfer regelmäßig (siehe **7.5 auf Seite 23**).

Verdampfer befüllen**VORSICHT!****Verbrühungsgefahr**

Wenn Sie Wasser in den heißen Verdampferbehälter gießen, entsteht heißer Dampf.

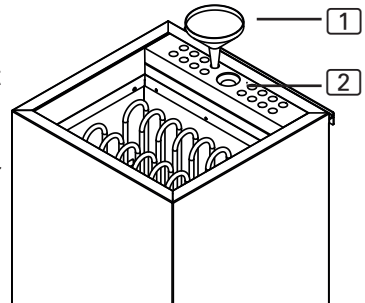
- Gießen Sie NIEMALS Wasser in den heißen Verdampferbehälter.
- Kontrollieren und befüllen Sie den Verdampferbehälter jedesmal bevor Sie den Kombi-Betrieb starten.
- Wenn der Überhitzungsschutz die Heizung des Verdampfers abgeschaltet hat oder Ihre Saunasteuerung einen Wassermangel meldet, lassen Sie den Verdampfer abkühlen BEVOR Sie Wasser in den Verdampferbehälter gießen.

**VORSICHT!****Verbrühungsgefahr**

Wenn der Verdampferbehälter zu voll ist, spritzt kochendes Wasser aus dem Verdampferbehälter.

- Befüllen Sie den Verdampferbehälter mit 5 Liter Wasser.

1. Verwenden Sie einen Trichter **1** oder entfernen Sie den Speckstein **2**.
2. Befüllen Sie den Verdampferbehälter mit frischem Leitungswasser. Dazu benötigen Sie etwa 5 Liter Wasser. Mit dieser Wassermenge kann der Verdampfer ungefähr 1 Stunde betrieben werden.
3. Entfernen Sie den Trichter **1** oder setzen Sie den Speckstein wieder ein.



Verwendung von Duftstoffen

Wenn Sie es wünschen, können Sie flüssige Duftstoffe oder getrocknete Kräuter auf den Speckstein geben. Beachten Sie dabei folgende Punkte:

- Geben Sie Duftstoffe nicht direkt in den Verdampferbehälter.
- Befüllen Sie die Mulde im Speckstein vorsichtig und nur halb voll, damit die Duftstoffe nicht durch die Löcher in den Verdampferbehälter tropfen.
- Beachten Sie die Herstellerangaben auf der Verpackung der Kräuter und Duftstoffe.
- Reinigen Sie den Speckstein regelmäßig unter fließendem Wasser.

7. Wartung

7.1. Längere Betriebspausen

Bei feuchten Umgebungsbedingungen oder langen Betriebspausen reichert sich Feuchtigkeit in den Heizstäben an. Dies ist ein physikalischer Vorgang und kein Fehler des Herstellers. Die Feuchtigkeit in den Heizstäben kann zum Auslösen des FI-Schutzschalters führen. Verständigen Sie in diesem Fall zur Fehlerbehebung eine Elektrofachkraft (siehe Kapitel 9. **Problemlösung durch den Monteur** auf Seite 24).



Heizen Sie den Saunaofen alle 5 bis 6 Wochen für ca. 15 Minuten auf. So verhindern Sie, dass sich bei längeren Betriebspausen Wasser in den Heizstäben anreichert.

7.2. Saunaofen reinigen

Achten Sie darauf, dass die Belüftungsöffnungen frei von Flusen und Staub sind. So verhindern Sie, dass die Luftzirkulation im Saunaofen eingeschränkt wird und das Gerät überhitzt.

7.3. Saunasteine wechseln

Saunasteine werden durch Aufgussmittel und große Temperaturunterschiede, die bei der Benutzung auftreten, beansprucht. Die Saunasteine können angegriffen und brüchig werden.

**WARNUNG!*****Brandgefahr durch Überhitzung***

Wird der Saunaofen ohne Saunasteine verwendet, erhitzen sich die Kabinenwände stark. Dadurch können Brände verursacht werden.

- Nehmen Sie den Saunaofen **NIEMALS** ohne Saunasteine in Betrieb.

Überprüfen Sie die Saunasteine in regelmäßigen Abständen und tauschen Sie die Steine mindestens einmal jährlich.

1. Entfernen Sie die alten Saunasteine.
2. Befreien Sie den Steinbehälter von Kalkrückständen, Staub und anderen Verunreinigungen.
3. Waschen Sie die Saunasteine vor der Verwendung gründlich mit Bürste und Wasser. Verwenden Sie keine Reinigungszusätze.
4. Prüfen Sie die Steine vor dem Einfüllen in den Saunaofen auf Fremdkörper und entfernen Sie Verpackungsreste.
5. Legen Sie die Saunasteine in den Steinbehälter. Schichten Sie die Saunasteine locker, damit Luft durch die Zwischenräume strömen kann.
6. Achten Sie darauf, dass die Saunasteine nicht über den Rand des Steinbehälters ragen.

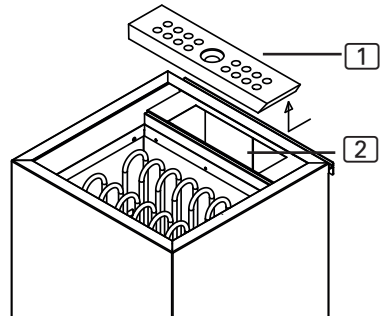
7.4. Verdampferbehälter reinigen

Entleeren und reinigen Sie den Verdampferbehälter nach jedem Gebrauch. Führen Sie dazu folgende Schritte durch:

1. Warten Sie bis das Wasser im Verdampfer abgekühlt ist.
2. Stellen Sie ein Auffanggefäß (mindestens 5 Liter) unter den Kugelhahn am Verdampferboden.
3. Öffnen Sie den Kugelhahn nach links bis das Restwasser ausfließt.
4. Wenn der Verdampferbehälter leer ist, schließen Sie den Kugelhahn.
5. Entfernen Sie den Speckstein.
6. Reinigen Sie den Verdampferbehälter mit einer Haushaltsbürste mit Kunststoffborsten. Achten Sie dabei auf die Leitungen der Tanksensoren, dass diese nicht verletzt werden. Spülen Sie mit Wasser nach.
7. Setzen Sie den Speckstein wieder ein.

7.5. Verdampferbehälter entkalken

Entkalken Sie den Verdampferbehälter nach Bedarf. Verwenden Sie dazu ein Entkalkungsmittel für Haushaltsgeräte. Beachten Sie dabei die Vorgaben und Sicherheitshinweise des Herstellers.



1. Entfernen Sie den Speckstein.
2. Entleeren Sie den Verdampferbehälter.
3. Bereiten Sie die Entkalkungslösung nach den Herstellerangaben.
4. Befüllen Sie den Verdampfer mit der Entkalkungslösung bis zum Kalkrand.
5. Lassen Sie die Entkalkungslösung laut Herstellerangaben einwirken.
6. Stellen Sie ein Auffanggefäß unter den Kugelhahn am Verdampferboden und leeren Sie den Verdampferbehälter.
7. Spülen Sie den Verdampferbehälter 2 mal mit kaltem Leitungswasser.

8. Entsorgung

DE



- Entsorgen Sie die Verpackungsmaterialien nach den gültigen Entsorgungsrichtlinien.
- Altgeräte enthalten wiederverwendbare Materialien, aber auch schädliche Stoffe. Geben Sie Ihr Altgerät deshalb auf keinen Fall in den Restmüll, sondern entsorgen Sie das Gerät nach den örtlich geltenden Vorschriften.

9. Problemlösung durch den Monteur

Heizstäbe ausheizen

Bei feuchten Umgebungsbedingungen oder langen Betriebspausen kann es zu einer Anreicherung von Feuchtigkeit in den Heizstäben kommen. Dies ist ein physikalischer Vorgang und kein Fehler des Herstellers. Die Feuchtigkeit in den Heizstäben kann unter Umständen zum Auslösen des FI-Schutzschalters führen.

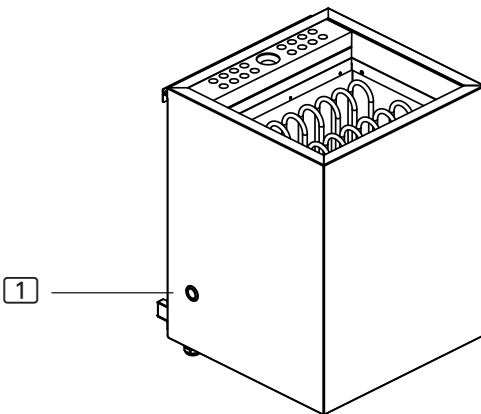
In diesem Fall ist es notwendig, den Saunaofen unter Aufsicht einer Elektrofachkraft auszuheizen. Dabei muss die Schutzfunktion des FI-Schalters außer Kraft gesetzt werden. Der Ausheizvorgang nimmt ca. 10 Minuten in Anspruch. Danach muss die Sicherungsfunktion des FI-Schalters wiederhergestellt werden.

Sollte das Problem weiterhin bestehen, wenden Sie sich an Ihren Lieferanten.

Verdampfer-Übertemperatur-Sicherung rückstellen

Ein Temperaturschalter übernimmt die Funktion der Wassermangelerkennung. Wird ein bestimmter Wasserstand im Verdampfertank unterschritten (ca. 1l), schaltet dieser Temperaturschalter den Heizstab ab. Gleichzeitig fällt die Rückführung zum Steuergerät WM auf 0V ab - am Steuergerät wird „Wassermangel“ signalisiert.

Für den Fall, dass der Verdampfer dennoch überhitzt, dient eine Temperatursicherung als Überhitzungsschutz. Diese Sicherung muss manuell rückgestellt werden. Drücken Sie dazu den Kontakt in der linken Seitenwand **1**.

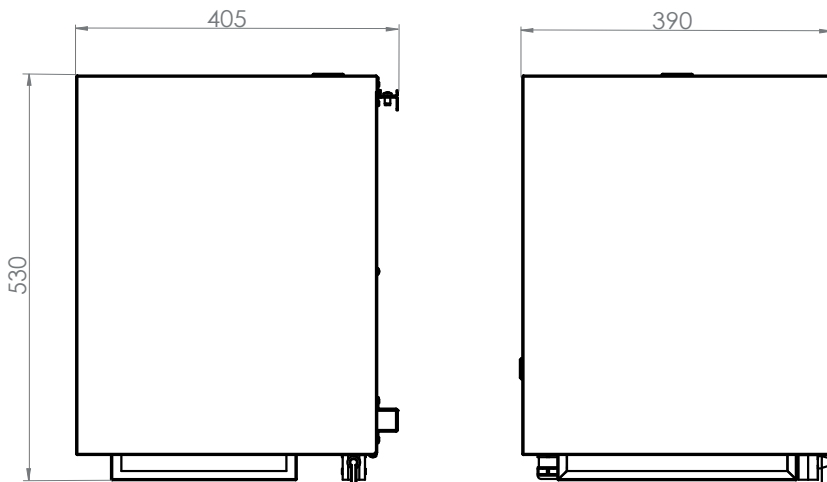


10. Technische Daten

Artikelnummer	Leistung [kW]	Leistung Verdampfer [kW]	Kabinenvolumen [m ³]	Steinmenge [kg]	Gewicht ohne Steine [kg]
HOME-C60	6,0	2,0	5 - 9	ca. 20 / 30	17
HOME-C90	9,0	2,0	8 - 14	ca. 20 / 30	17

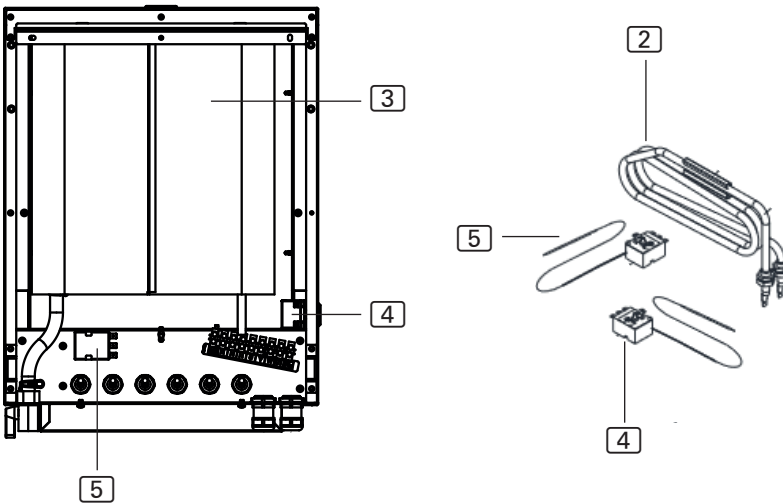
Artikelnummer	Mindestgröße Belüftungsöffnung [mm]	Absicherung [A]	Versorgung
HOME-C60	350 x 35	3 x 10	400 V AC 3N~ 50/60 Hz 230 V AC 1N~ 50/60 Hz
HOME-C90	350 x 50	3 x 16	400 V AC 3N~ 50/60 Hz 230 V AC 1N~ 50/60 Hz

Abb.8 Abmessungen Home combi 6,0 kW und 9,0 kW
(HOME-C60 / HOME-C90)
Maße in mm



11. Ersatzteile

Nr.	Bezeichnung	Artikelnummern	Anzahl
1	Heizlemente 2000 W	HP-HOME-200 (1-043-618)	3
1	Heizlemente 3000 W	HP-HOME-300 (1-043-620)	3
2	Heizelement Verdampfer 2000 W	VZH-104 (1-047-023)	1
3	Verdampfeinheit komplett	WX671 (1-051-000)	1
4	Überhitzungsschutz 140°C	ZSK-764 (1-046-109)	1
5	Thermostat 110°C	ZSN-250 (1-046-108)	1



Poêle de sauna

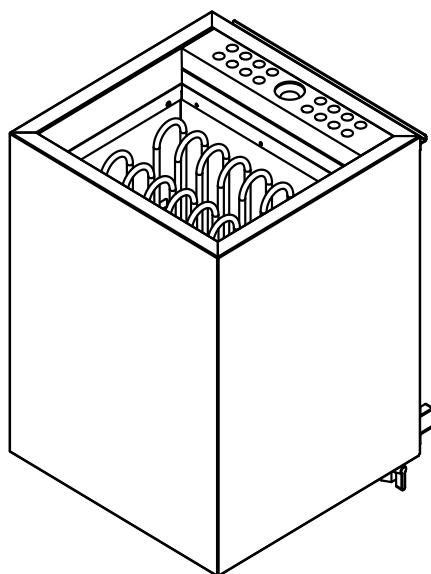
Home combi

HOME-C60 / 1-050-408 : Home combi 6,0 kW

HOME-C90 / 1-050-411 : Home combi 9,0 kW

INSTRUCTIONS DE MONTAGE ET MODE D'EMPLOI

Français



FR

Table des matières

1. Concernant ces instructions	4
2. Remarques importantes pour votre sécurité	5
2.1. Usage conforme	5
2.2. Consignes de sécurité pour le monteur	6
2.3. Consignes de sécurité pour l'utilisateur	7
3. Description du produit	8
3.1. Contenu de la livraison	8
3.2. Accessoires	8
3.3. Fonctions du produit	8
4. Montage et raccordement	8
4.1. Lieu d'installation et position de la sonde	9
4.2. Distances de sécurité	9
4.3. Montage sur la paroi de la cabine	10
4.4. Schéma de raccordement pour 400 V 3N~	12
4.5. Schéma de raccordement pour 230 V 1N~	13
4.6. Schémas de câblage	14
4.7. Branchements électriques	14
5. Mise en service	16
5.1. Remplissage du réservoir de pierres	16
5.2. Premier chauffage	17
6. Utilisation	18
6.1. Commande du poêle de sauna	18
6.2. Mode sauna finlandais	18
6.3. Mode mixte	19

7. Entretien	21
7.1. Périodes d'arrêt prolongées.....	21
7.2. Nettoyage du poêle de sauna.....	21
7.3. Remplacement des pierres à sauna.....	22
7.4. Nettoyage du conteneur de l'évaporateur.....	22
7.5. Détartrage du conteneur de l'évaporateur.....	23
8. Élimination	23
9. Dépannage par le monteur	24
10. Caractéristiques techniques	25
11. Pièces de rechange	26

1. Concernant ces instructions

Lisez attentivement ces instructions de montage et ce mode d'emploi et conservez-les à proximité du sauna. Vous pouvez ainsi consulter à tout moment des informations concernant son utilisation et relatives à votre sécurité.



Ces instructions de montage et ce mode d'emploi sont également disponibles dans la rubrique de téléchargement de notre site Internet www.sentiotec.com/downloads.

Symboles d'avertissement

Dans les instructions de montage et le mode d'emploi, un avertissement précède les activités représentant un danger. Conformez-vous impérativement à ces avertissements. Vous éviterez ainsi des dommages matériels et des blessures qui, dans le pire des cas, peuvent être mortelles.

Ces avertissements utilisent des termes clés qui ont la signification suivante :



DANGER !

Si vous ne respectez pas cet avertissement, il y a un risque de blessures graves, voire mortelles.



AVERTISSEMENT !

Si vous ne respectez pas cet avertissement, il y a un risque éventuel de blessures graves, voire mortelles.



PRUDENCE !

Si vous ne respectez pas cet avertissement, il y a un risque éventuel de blessures légères.

ATTENTION !

Ce terme clé vous avertit de dommages matériels éventuels.

Autres symboles



Ce symbole désigne les conseils et indications utiles.



Ne pas couvrir !



Lire le mode d'emploi

2. Remarques importantes pour votre sécurité

Le poêle pour sauna Home combi est construit selon des règles techniques de sécurité reconnues. Cependant, des dangers peuvent survenir lors de l'utilisation. C'est pourquoi vous devez suivre les consignes de sécurité suivantes et les avertissements spécifiques des différents chapitres.

2.1. Usage conforme

Le Home combi est un poêle pour sauna à évaporateur intégré. Le poêle pour sauna Home combi doit être utilisé exclusivement pour chauffer les cabines de sauna et pour augmenter l'humidité de l'air dans la cabine. Le poêle pour sauna Home combi doit être utilisé exclusivement en combinaison avec une commande de sauna sans fonction de démarrage à distance.

Le poêle pour sauna Home combi peut être utilisé également avec une commande pour sauna disposant d'une fonction de démarrage à distance, uniquement en combinaison avec l'extinction de sécurité disponible en option.

Le poêle pour sauna Home combi peut être utilisé également dans des saunas publics, uniquement en combinaison avec l'extinction de sécurité disponible en option.

Toute autre utilisation est considérée comme un usage non conforme. Un usage non conforme peut endommager le produit et provoquer de graves blessures, voire la mort.

2.2. Consignes de sécurité pour le monteur

- Les travaux de montage et de raccordement du poêle de sauna doivent être effectués uniquement lorsque l'appareil n'est pas sous tension.
- Seul un électricien spécialisé ou une personne ayant une qualification similaire est habilité à procéder au montage.
- Un dispositif de coupure totale du circuit sur tous les pôles (catégorie de surtension III) doit être prévu par le client.
- Pour le raccordement du poêle de sauna, utilisez exclusivement des lignes en silicone résistant à des températures allant jusqu'à 150 °C.
- Installez un seul poêle de sauna par cabine. Le poêle pour sauna Home fin ne doit pas être utilisé avec d'autres poêles pour sauna dans une même cabine de sauna.
- Les plafonds et parois de la cabine de sauna doivent être fabriqués en bois peu résineux, non traités ou traités thermiquement, par ex. pin nordique, tsuga, pin ou sapin, ou en matériaux composés de couches de bois. En cas d'utilisation de matériaux composés de couches de bois, veillez à ce que leurs colles n'émettent pas de formaldéhyde. Si d'autres matériaux que le bois sont utilisés dans la cabine de sauna, ils doivent résister à la chaleur et à la corrosion et ne doivent avoir aucun effet négatif sur la santé des utilisateurs du sauna.
- La cabine de sauna doit mesurer au moins 1,9 m de hauteur.
- Respectez les indications concernant le volume et la ventilation de la cabine de sauna du chapitre **10. Caractéristiques techniques** à la page **25**.
- Lors de l'installation du poêle en arrière de cloison, respectez les distances minimales de sécurité (voir chapitre **4.2. Distances de sécurité**).
- Respectez également les dispositions légales du lieu d'installation.
- En cas de problèmes insuffisamment traités dans les instructions de montage, adressez-vous à votre fournisseur pour votre propre sécurité.

2.3. Consignes de sécurité pour l'utilisateur

- L'appareil ne doit pas être utilisé par des enfants de moins de 8 ans.
- L'appareil peut être utilisé par des enfants de plus de 8 ans, par des personnes ayant des capacités psychiques, sensorielles ou mentales limitées et par des personnes manquant d'expérience et de connaissances aux conditions suivantes :
 - sous surveillance.
 - lorsque l'utilisation en toute sécurité leur a été montrée et qu'ils comprennent les dangers qui peuvent survenir.
- Les enfants ne doivent pas jouer avec l'appareil.
- Les enfants de moins de 14 ans peuvent nettoyer l'appareil uniquement s'ils sont surveillés.
- Pour des raisons de santé, n'utilisez pas la cabine lorsque vous êtes sous l'influence de l'alcool, de médicaments ou de drogues.
- Ne faites jamais fonctionner le poêle de sauna sans pierres à sauna, cela pourrait provoquer des incendies.
- Assurez-vous qu'aucun objet inflammable ne se trouve sur le poêle de sauna avant de mettre en marche la commande.
- AVANT de commencer à utiliser le sauna, faites chauffer le poêle de sauna pendant une demi-heure. Pendant ce temps, NE restez PAS dans la cabine de sauna. Ensuite, aérez bien la cabine de sauna (voir **5.2. Premier chauffage** à la page 17).
- Ne touchez jamais le poêle de sauna pendant son fonctionnement. Les surfaces du poêle de sauna et les pierres à sauna sont très chaudes.
- Pour votre sécurité, adressez-vous à votre fournisseur si le mode d'emploi ne traite pas exhaustivement de certains problèmes.

3. Description du produit

3.1. Contenu de la livraison

- Poêle de sauna
- Instructions de montage et mode d'emploi

3.2. Accessoires

Accessoires	Référence
Bascule d'arrêt	SFE-350400 / 1-045-583

3.3. Fonctions du produit

- **Mode sauna finlandais** : généralement entre 80 et 100 °C, humidité relative de l'air env. 10%
- **Mode mixte** (uniquement en combinaison avec une commande mixte) : env. entre 40 et 65 °C, humidité relative de l'air entre 35 et 70%. Plus la température augmente, plus l'humidité de l'air maximale autorisée baisse.

4. Montage et raccordement

Tenez compte des points suivants lors de l'installation et du raccordement du poêle de sauna :



AVERTISSEMENT !

Risque d'électrocution

- Effectuez les travaux de montage et de raccordement du poêle de sauna uniquement lorsque celui-ci n'est pas sous tension.
- Seul un électricien spécialisé ou une personne ayant une qualification similaire est habilité à procéder au raccordement électrique.
- Un dispositif de coupure totale du circuit sur tous les pôles (catégorie de surtension III) doit être prévu par le client.
- Le poêle pour sauna Home fin est un poêle mural. Procédez à un contrôle de stabilité et de fixation sur la barre de montage avant la mise en service.

4.1. Lieu d'installation et position de la sonde

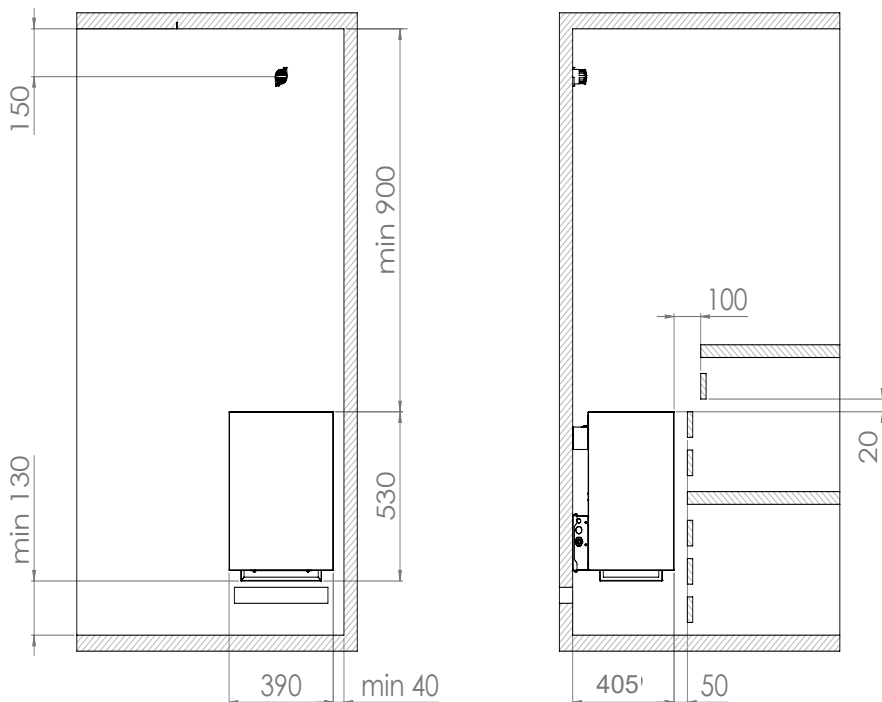
Le poêle doit être monté en position centrale devant l'orifice d'admission d'air de la paroi de la cabine. Ce faisant, respectez les distances de sécurité par rapport à la paroi de la cabine indiquées à la **Fig. 1**.

Montez la sonde de température avec dispositif de protection contre la surtempérature au niveau de la paroi de la cabine, au-dessus du centre du poêle de sauna. Respectez une distance de 15 cm par rapport au plafond de la cabine. Conformez-vous aux instructions de montage de la commande de sauna.

4.2. Distances de sécurité

Respectez les distances de sécurité minimales indiquées sur la **Fig. 1**.

Fig. 1 Distances de sécurité
Home combi 6,0 kW et 9,0 kW
(HOME-C60 / HOME-C90)
Dimensions en mm



4.3. Montage sur la paroi de la cabine

Reportez-vous aux **fig. 1, 2, 3 et 4** (pages **9, 10, 11**).

1. Fixez la barre de montage [1] horizontalement au mur avec les vis à bois [2] fournies. Reportez-vous à la fig. 1 en ce qui concerne les distances minimales du poêle.
2. Accrochez le poêle [3] du haut vers le bas à la barre de montage en veillant à ce qu'il soit parfaitement affleurant.
3. Fixez le poêle [3] à la barre de montage [1] avec la vis fournie [4].



AVERTISSEMENT !

Risque d'incendie

- Fixez le poêle avec la vis de blocage [4] fournie afin de prévenir tout glissement.

Fig. 2 Barre de montage Home combi
Dimensions en mm

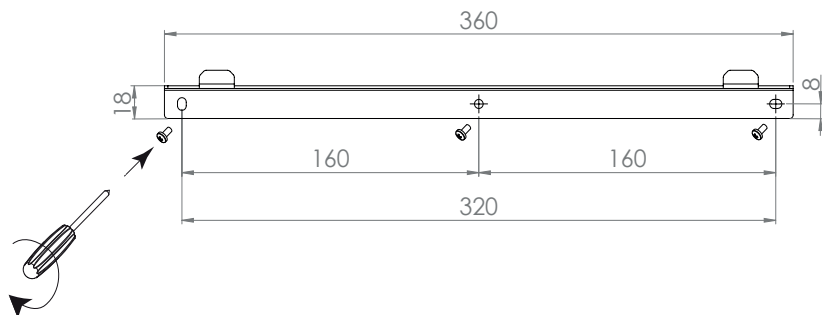


Fig. 3 Position de la barre de montage Home combi
Dimensions en mm

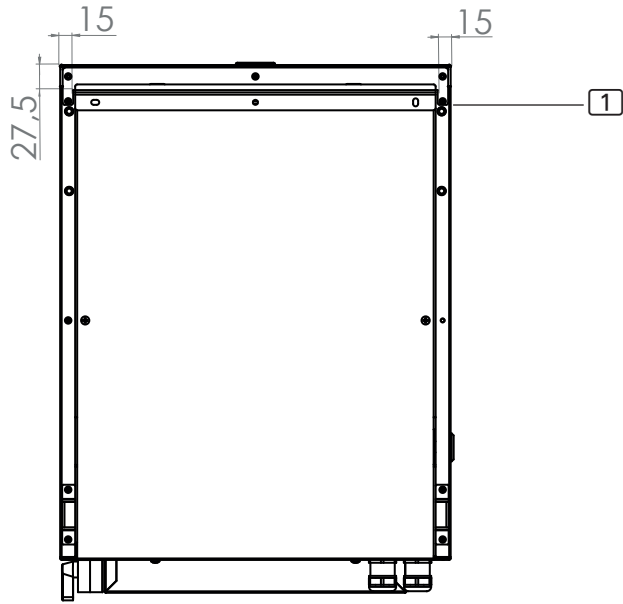
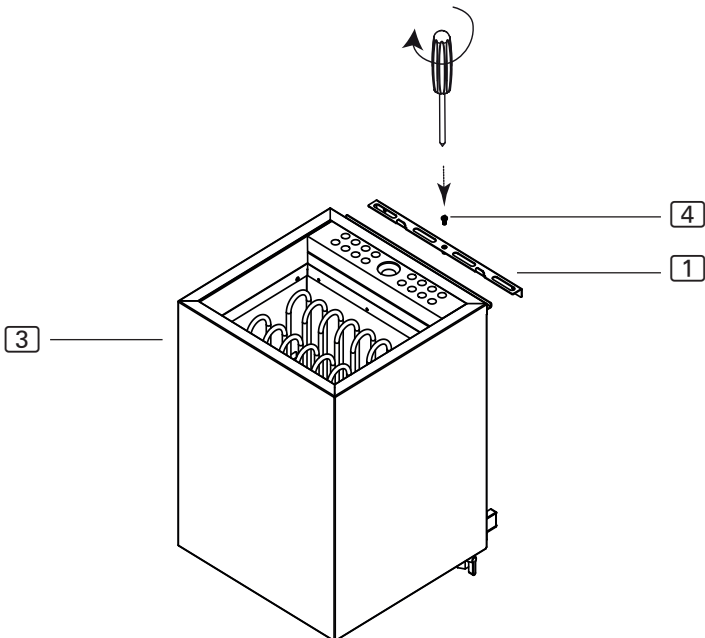
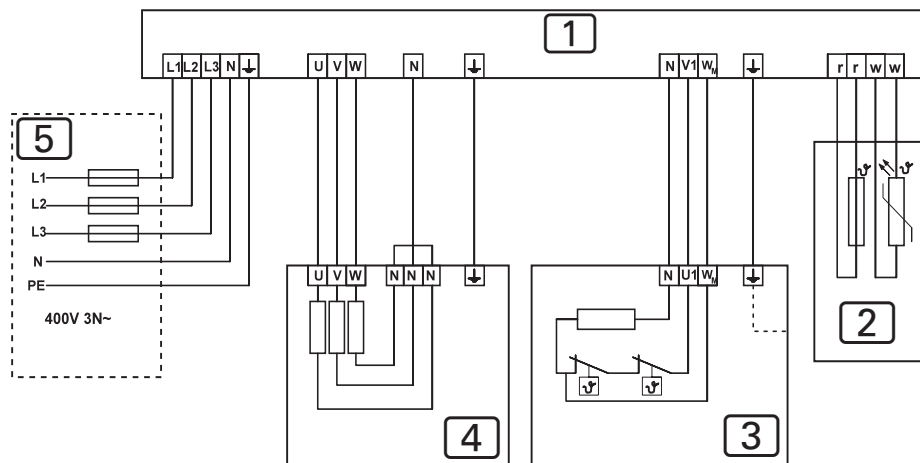


Fig. 4 Fixation Home combi (barre de montage)



4.4. Schéma de raccordement pour 400 V 3 N~

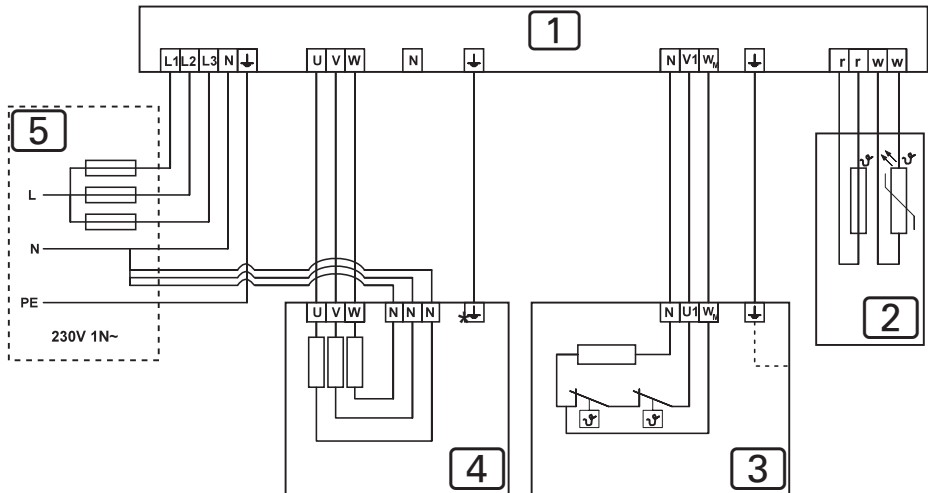
Fig. 5 Schéma de raccordement 400 V 3 N~
Home combi 6,0 kW et 9,0 kW
(HOME-C60 / HOME-C90)



- ① Commande de sauna
- ② Sonde de température avec dispositif de protection contre la surtempérature
- ③ Évaporateur 2,0 kW
- ④ Système de chauffage 6,0 kW ou 9,0 kW
- ⑤ Alimentation électrique

4.5. Schéma de raccordement pour 230 V 1 N~

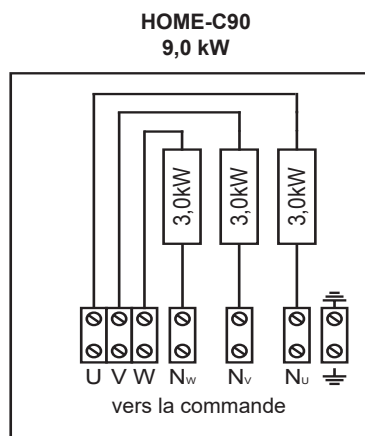
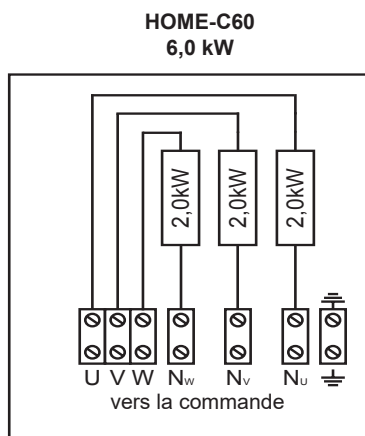
Fig. 6 Schéma de raccordement 230 V 1 N~
Home combi 6,0 kW et 9,0 kW
(HOME-C60 / HOME-C90)



- 1 Commande de sauna
- 2 Sonde de température avec dispositif de protection contre la surtempérature
- 3 Évaporateur 2,0 kW
- 4 Système de chauffage 6,0 kW ou 9,0 kW
- 5 Alimentation électrique

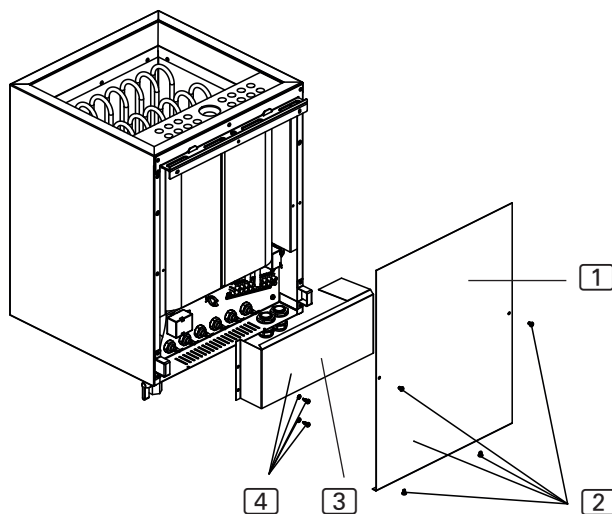
* Retirer le cavalier de cuivre

4.6. Schémas de câblage



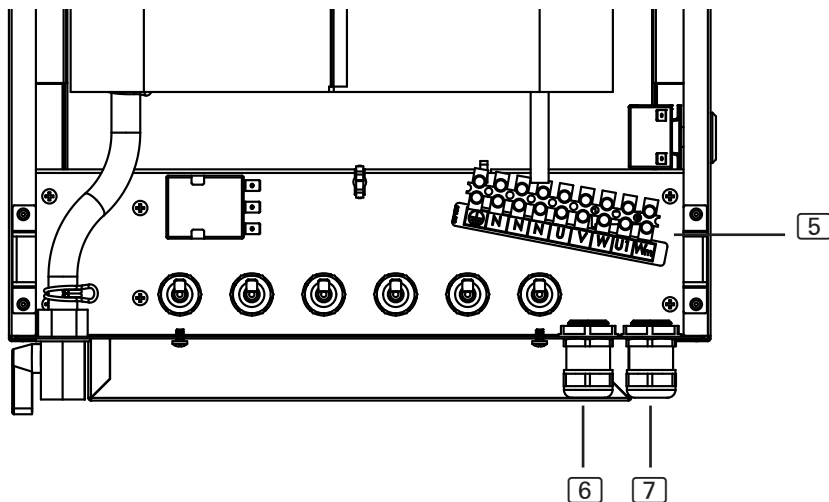
4.7. Branchements électriques

1. Desserrez les vis à l'aide d'un tournevis.
2. Retirez le cache en tôle .
3. Desserrez les vis à l'aide d'un tournevis.
4. Retirez le cache en tôle .



Raccordement 230 V 1N~
Home combi 6,0 kW et 9,0 kW
(HOME-C60 / HOME-C90)

1. Faites passer le câble de raccordement pour le système de chauffage par le passage de câbles **6**.
2. Raccordez les fils du câble de raccordement aux bornes correspondantes de la barre de raccordement **5** selon le type de raccordement ainsi qu'aux bornes correspondantes de la commande du sauna. Respectez les instructions de montage de la commande du sauna et les schémas de raccordement figurant page 12 et 13.
1. Faites passer le câble de raccordement pour l'évaporateur par le passage de câbles **7**.
2. Raccordez les fils du câble de l'évaporateur aux bornes PE – N – U1 – Wm de la barre de raccordement **5** et aux bornes correspondantes de la commande du sauna. Respectez les instructions de montage de la commande du sauna et les schémas de raccordement figurant page 12 et 13.
3. Fixez les caches en tôle **3** et **1** au poêle du sauna.



- 5** Barre de raccordement pour le système de chauffage et l'évaporateur
6 Passage pour le câble de raccordement du système de chauffage
7 Passage pour le câble de l'évaporateur

5. Mise en service

5.1. Remplissage du réservoir de pierres



AVERTISSEMENT !

Risque d'incendie dû à la surchauffe

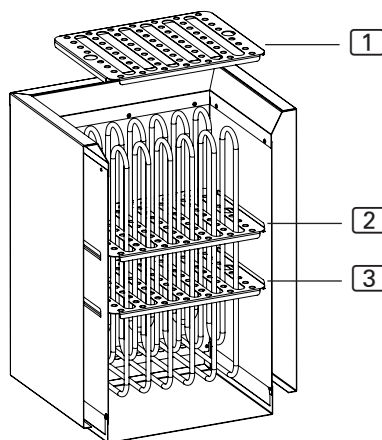
Si le poêle de sauna est utilisé sans pierres à sauna, les parois de la cabine chauffent fortement. Cela peut provoquer des incendies.

- NE mettez JAMAIS le poêle de sauna en marche sans pierres à sauna.

La grille pour pierres **1** peut être montée à deux hauteurs différentes.

Position **2** : petite quantité de pierres, temps de chauffe courts, économie d'énergie

Position **3** (position départ usine) : grande quantité de pierres, plus grande quantité possible d'addition d'eau, d'où davantage de vapeur, temps de chauffe plus longs



Vous trouverez la quantité de pierres correspondant à votre poêle au chapitre **Caractéristiques techniques** (page 25).

1. Avant utilisation, nettoyez soigneusement les pierres à sauna à l'eau à l'aide d'une brosse. N'utilisez pas de produits de nettoyage.
2. Avant de les placer dans le poêle de sauna, vérifiez que les pierres ne comportent pas de corps étrangers et retirez les restes d'emballage.
3. Placez les pierres à sauna dans le réservoir de pierres, également entre les thermoplongeurs. Disposez les pierres à sauna sans les serrer, afin que l'air puisse passer entre les interstices.
4. **Veillez à ce que les thermoplongeurs ne se touchent PAS les uns les autres.**
5. Veillez à ce que les pierres à sauna ne dépassent pas du bord du réservoir de pierres.

5.2. Premier chauffage



PRUDENCE !

Formation de fumée et de mauvaises odeurs lors du premier chauffage

Sur les thermoplongeurs neufs se trouvent des matières consommables issues du processus de fabrication. Celles-ci se décomposent lors du premier chauffage du poêle de sauna. Cela provoque de la fumée et des odeurs désagréables. Le fait de respirer ces vapeurs ou la fumée nuit à votre santé.

ATTENTION !

La sécurité-surchauffe de l'appareil peut également se déclencher à des températures inférieures à $-5\text{ }^{\circ}\text{C}$ / $23\text{ }^{\circ}\text{F}$ (stockage, transport, environnement). Avant l'installation, placez l'appareil dans un endroit chaud. La sécurité-surchauffe peut être réinitialisée quand la température de l'appareil se situe à env. $18\text{ }^{\circ}\text{C}$ / $64\text{ }^{\circ}\text{F}$. La sécurité-surchauffe doit être réinitialisée avant d'utiliser cet appareil.

Procédez aux opérations suivantes lorsque vous mettez votre poêle de sauna **en service pour la première fois** et lorsque les **thermoplongeurs de votre poêle de sauna ont été remplacés**. Vous évitez ainsi des dommages pour votre santé provoqués par les vapeurs et la fumée se formant lors du premier chauffage.

1. Premier chauffage des thermoplongeurs
 - a. Sur la commande du sauna, sélectionnez la température la plus élevée possible.
 - b. Faites chauffer le poêle de sauna pendant une demi-heure.
Pendant ce temps, NE restez PAS dans la cabine de sauna.
2. Premier chauffage de l'évaporateur
 - a. Sur la commande de sauna, sélectionnez une température faible et une humidité de l'air élevée.
 - b. Faites chauffer l'évaporateur en remplissant le réservoir d'eau à la moitié (voir **Remplissage de l'évaporateur** à la page 20)
Ne restez PAS dans la cabine de sauna pendant le chauffage.
 - c. Au bout d'env. 15 minutes, désactivez la commande de sauna.
 - d. Laissez refroidir l'évaporateur (env. une demi-heure).
 - e. Videz le réservoir d'eau (voir **Remplissage de l'évaporateur** à la page 20)
 - f. Répétez le point 2.b.
 - g. Après le premier chauffage, aérez bien la cabine de sauna.
 - h. Si plus aucune fumée ni aucune odeur ne se forment lors du prochain chauffage, vous pouvez commencer à utiliser votre sauna.
Si de la fumée ou des odeurs apparaissent de nouveau, quittez immédiatement la cabine de sauna et répétez la procédure de premier chauffage, suivie d'une aération.

6. Utilisation



AVERTISSEMENT !

Risque d'incendie

Des objets inflammables se trouvant sur le poêle de sauna brûlant peuvent s'enflammer et provoquer des incendies.

- NE placez JAMAIS de matériaux inflammables sur le poêle de sauna.
 - Assurez-vous qu'AUCUN objet inflammable ne se trouve sur le poêle de sauna avant de mettre le sauna en marche.
-

6.1. Commande du poêle de sauna

L'utilisation du poêle de sauna s'effectue par l'intermédiaire d'une commande de sauna. Pour obtenir des informations concernant l'utilisation de la commande pour sauna, lisez le mode d'emploi de l'appareil correspondant. Notez que le poêle pour sauna Home combi ne convient qu'aux commandes sans fonction de démarrage à distance.

6.2. Mode sauna finlandais

En mode sauna finlandais, seul le système de chauffage fonctionne. La chaleur disponible est sèche. La température dans la cabine est élevée (de 80 à 100 °C). Les valeurs d'humidité sont faibles (max. 10%). La température dans la cabine de sauna est réglée par la commande du sauna.

À la fin de l'utilisation du sauna, vous pouvez effectuer un arrosage. Pour ce faire, versez de l'eau sur les pierres à sauna à l'aide d'une louche pour sauna. Cela fait évaporer l'eau et augmente l'humidité de l'air dans la cabine.

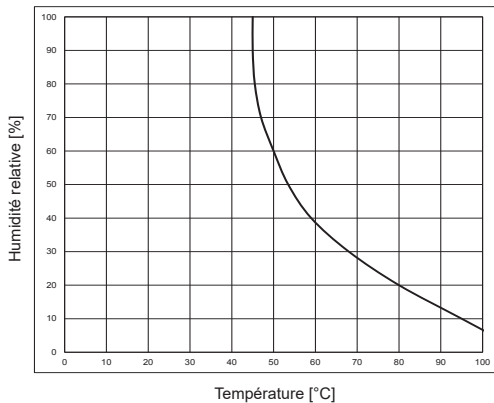
Lors de l'arrosage, respectez les points suivants :

- Utilisez uniquement de l'eau du robinet pour l'arrosage. L'eau de mer, une eau très calcaire et de l'eau chlorée peuvent endommager le poêle de sauna.
- Utilisez uniquement des parfums et des huiles essentielles explicitement adaptés à l'arrosage dans des saunas. Suivez les consignes données par le fabricant sur l'emballage des essences.
- Ne versez pas l'eau trop vite sur les pierres à sauna. Cela permet que l'eau d'arrosage s'évapore totalement.

6.3. Mode mixte

En mode mixte, le système de chauffage et l'évaporateur fonctionnent. La température dans la cabine du sauna est plus basse (environ de 40 à 65 °C) qu'en mode sauna finlandais mais l'humidité relative de l'air est nettement plus élevée (de 35% à environ 70%). Plus la température augmente, plus l'humidité de l'air maximale autorisée baisse. La température et l'humidité de l'air dans la cabine de sauna sont réglées par la commande du sauna.

Fig. 7 Courbe caractéristique de température/humidité relative de l'air (conforme à la norme EN 60335-2-53)



Seuls les réglages situés à gauche et sous la courbe caractéristique sont possibles. Par exemple, à 60%, la température ne peut pas dépasser 50 °C.

Le conteneur de l'évaporateur doit être rempli manuellement. Si la réserve d'eau dans le conteneur de l'évaporateur est épuisée, une protection contre la surchauffe éteint automatiquement le chauffage de l'évaporateur. Le manque d'eau est signalé au niveau de la commande du sauna et y est indiqué, par ex. par un signal sonore et par le message « FILL ».

ATTENTION !

Endommagement de l'évaporateur

L'eau de mer, une eau très calcaire et de l'eau chlorée, des herbes, des essences ou des parfums peuvent endommager le poêle de sauna.

- Remplissez le conteneur de l'évaporateur uniquement à l'eau du robinet.
- Ne placez pas les herbes, les essences ou les parfums directement dans le conteneur de l'évaporateur, mais dans le bol en céramique situé au-dessus de l'évaporateur.
- Détartrez l'évaporateur régulièrement (voir **7.5 à la page 23**).

Remplissage de l'évaporateur



PRUDENCE !

Risque de brûlure

Lorsque vous versez de l'eau dans le conteneur chaud de l'évaporateur, de la vapeur chaude se dégage.

- NE versez JAMAIS d'eau dans le conteneur chaud de l'évaporateur.
- Contrôlez et remplissez le conteneur de l'évaporateur avant chaque fonctionnement mixte.
- Si la protection contre la surchauffe a éteint le chauffage de l'évaporateur ou si votre commande de sauna signale un manque d'eau, laissez l'évaporateur refroidir AVANT de verser de l'eau dans le conteneur de l'évaporateur.



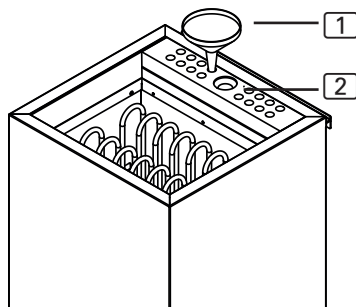
PRUDENCE !

Risque de brûlure

Si le conteneur de l'évaporateur est trop plein, des éclaboussures d'eau bouillante jaillissent du conteneur de l'évaporateur.

- Remplissez le conteneur de l'évaporateur de 5 litres d'eau.

1. Utilisez un entonnoir [1] ou retirez la pierre ollaire [2].
2. Remplissez le conteneur de l'évaporateur d'eau fraîche. Pour cela, il vous faut environ 5 litres d'eau. Avec cette quantité d'eau, il est possible d'utiliser l'évaporateur pendant 1 heure environ.
3. Retirez l'entonnoir [1] ou remplacez la pierre ollaire.



Utilisation de parfums

Si vous le souhaitez, vous pouvez placer des parfums liquides ou des herbes séchées sur la pierre ollaire. Tenez compte des points suivants :

- Ne placez pas les parfums directement dans le conteneur de l'évaporateur.
- Remplissez avec précaution la moitié du creux dans la pierre ollaire afin que les parfums ne s'écoulent pas par les trous dans le conteneur de l'évaporateur.
- Suivez les consignes données par le fabricant sur l'emballage des herbes et des parfums.
- Nettoyez régulièrement la pierre ollaire à l'eau courante.

7. Entretien

7.1. Périodes d'arrêt prolongées

Si l'environnement est particulièrement humide ou lors de longues périodes d'arrêt, de l'humidité s'accumule dans les thermoplongeurs. Il s'agit d'un phénomène physique et non d'un défaut de fabrication. L'humidité des thermoplongeurs peut provoquer le déclenchement du disjoncteur. Dans ce cas, contactez un électricien qualifié pour le dépannage (voir chapitre **9. Dépannage par le monteur page 24**).



Faites chauffer le poêle de sauna toutes les 5 à 6 semaines pendant env. 15 minutes. Vous évitez ainsi que de l'eau ne s'accumule dans les thermoplongeurs lors de longues périodes d'arrêt.

FR

7.2. Nettoyage du poêle de sauna

Veillez à ce que les ouvertures de ventilation soient exemptes de peluches et de poussières. Vous évitez ainsi que la circulation de l'air dans le poêle de sauna soit limitée et que l'appareil chauffe excessivement.

7.3. Remplacement des pierres à sauna

Les pierres à sauna sont très sollicitées par les produits utilisés pour l'arrosage et les importantes différences de température survenant lors de l'utilisation. Les pierres à sauna peuvent être attaquées et devenir cassantes.



AVERTISSEMENT !

Risque d'incendie dû à la surchauffe

Si le poêle de sauna est utilisé sans pierres à sauna, les parois de la cabine chauffent fortement. Cela peut provoquer des incendies.

- NE mettez JAMAIS le poêle de sauna en marche sans pierres à sauna.

Contrôlez les pierres à sauna à intervalles réguliers et remplacez les pierres au moins une fois par an.

1. Retirez les anciennes pierres à sauna.
2. Nettoyez le réservoir de pierres pour retirer les dépôts de calcaire, la poussière et autres impuretés.
3. Avant utilisation, nettoyez soigneusement les pierres à sauna à l'eau à l'aide d'une brosse. N'utilisez pas de produits de nettoyage.
4. Avant de les placer dans le poêle de sauna, vérifiez que les pierres ne comportent pas de corps étrangers et retirez les restes d'emballage.
5. Placez les pierres à sauna dans le réservoir de pierres. Disposez les pierres à sauna sans les serrer, afin que l'air puisse passer entre les interstices.
6. Veillez à ce que les pierres à sauna ne dépassent pas du bord du réservoir de pierres.

7.4. Nettoyage du conteneur de l'évaporateur

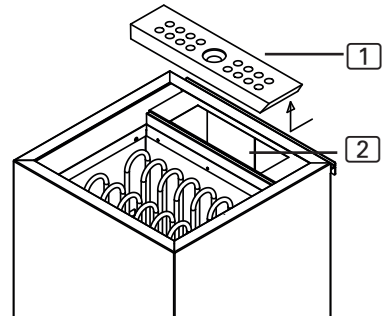
Videz et nettoyez le conteneur de l'évaporateur après chaque utilisation.

Pour cela, suivez les étapes suivantes :

1. Attendez que l'eau ait refroidi dans l'évaporateur.
2. Placez un récipient de récupération (d'au moins 5 litres) sous le robinet à boisseau sphérique situé au fond de l'évaporateur.
3. Tournez le robinet à boisseau sphérique vers la gauche jusqu'à ce que l'eau résiduelle s'écoule.
4. Lorsque le conteneur de l'évaporateur est vide, fermez le robinet à boisseau sphérique.
5. Retirez la pierre ollaire.
6. Nettoyez le conteneur de l'évaporateur avec une brosse à poils en plastique. Veillez à ne pas endommager les câbles des capteurs du conteneur. Rincez à l'eau.
7. Replacez la pierre ollaire.

7.5. D  tartrage du conteneur de l'  vaporateur

D  tartez le conteneur de l'  vaporateur si besoin. Pour ce faire, utilisez un d  tartrant pour appareils m  nagers. Conformez-vous aux prescriptions et aux consignes de s  curit   du fabricant.



1. Retirez la pierre ollaire.
2. Videz le conteneur de l'  vaporateur.
3. Pr  parez la solution de d  tartrage selon les indications du fabricant.
4. Remplissez l'  vaporateur de la solution de d  tartrage jusqu'aux traces de calcaire.
5. Laissez la solution de d  tartrage agir conform  ment aux indications du fabricant.
6. Placez un r  cipient de r  cup  ration sous le robinet    boisseau sph  rique situ   au fond de l'  vaporateur et videz le conteneur de l'  vaporateur.
7. Rincez le conteneur de l'  vaporateur 2 fois    l'eau du robinet froide.

8.   limination



-   liminez les mat  riaux d'emballage conform  ment aux directives en vigueur relatives    l'  limination.
- Les appareils usag  s contiennent des mat  riaux recyclables, mais aussi des substances toxiques. Par cons  quent, ne jetez en aucun cas votre appareil usag   avec les d  chets m  nagers.   liminez-le conform  ment aux directives locales en vigueur.

9. Dépannage par le monteur

Chauffage des thermoplongeurs

Si l'environnement est particulièrement humide ou lors de longues périodes d'arrêt, de l'humidité peut s'accumuler dans les thermoplongeurs. Il s'agit d'un phénomène physique et non d'un défaut de fabrication. L'humidité des thermoplongeurs peut éventuellement provoquer le déclenchement du disjoncteur.

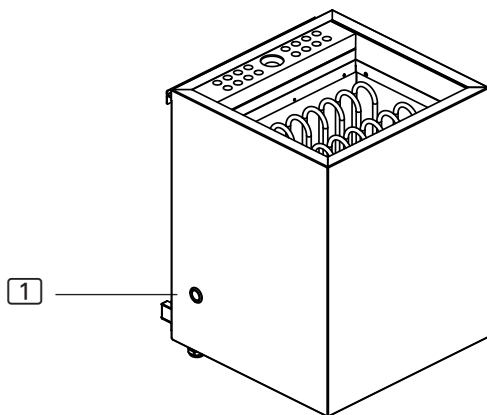
Dans ce cas, il est nécessaire de faire chauffer le poêle de sauna sous la surveillance d'un électricien qualifié. Pendant cette procédure, la fonction de protection du disjoncteur doit être hors service. La procédure de chauffage prend env. 10 minutes. La fonction de protection du disjoncteur doit ensuite être rétablie.

Si le problème persiste, adressez-vous à votre fournisseur.

Réinitialisation du dispositif de protection contre la surtempérature de l'évaporateur

Un commutateur de température assure la fonction de détection du manque d'eau. Lorsqu'un certain niveau d'eau est dépassé dans le réservoir de l'évaporateur (env. 1 l), le commutateur de température désactive le thermoplongeur. Simultanément, le retour vers l'appareil de commande WM prend la valeur de 0 V ; le manque d'eau est signalé sur l'appareil de commande.

Si l'évaporateur chauffe malgré tout excessivement, un dispositif de protection thermique assure la protection contre la surtempérature. Il doit être réinitialisé manuellement. Pour ce faire, appuyez sur le contact sur la paroi latérale gauche 1.

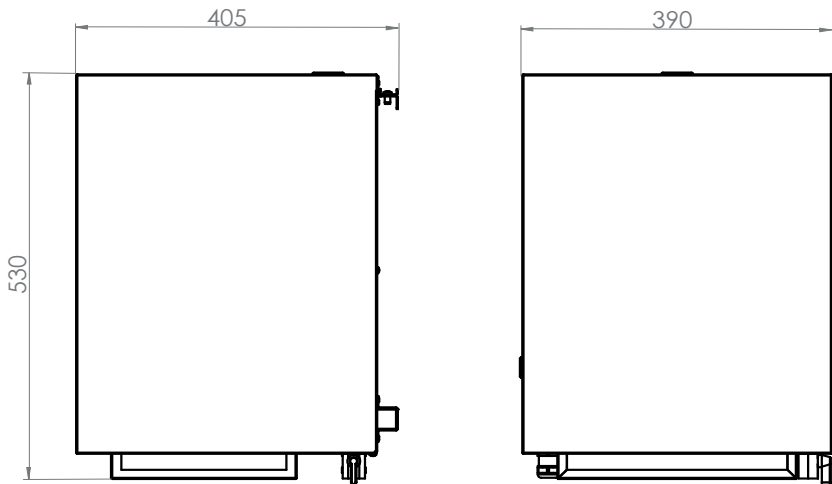


10. Caractéristiques techniques

Référence	Puis- sance [kW]	Puissance de l'évapo- rateur [kW]	Volume de la ca- bine [m ³]	Quantité de pierres [kg]	Poids sans pierres [kg]
HOME-C60	6,0	2,0	5 - 9	env. 20 / 30	17
HOME-C90	9,0	2,0	8 - 14	env. 20 / 30	17

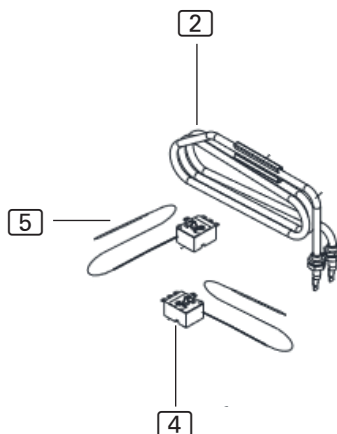
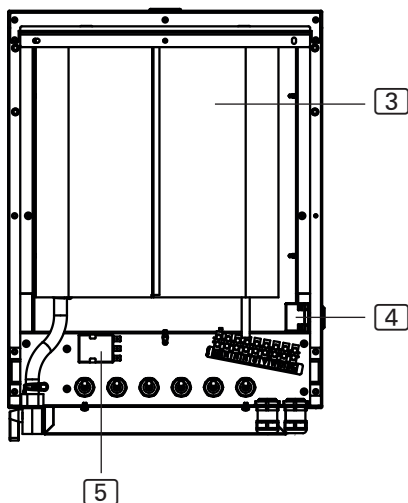
Référence	Taille minimale de l'ouverture de ventilation [mm]	Fusible [A]	Alimentation
HOME-C60	350 x 35	3 x 10	400 V CA 3N~ 50/60 Hz 230 V CA 1N~ 50/60 Hz
HOME-C90	350 x 50	3 x 16	400 V CA 3N~ 50/60 Hz 230 V CA 1N~ 50/60 Hz

Fig. 8 Dimensions Home combi 6,0 kW et 9,0 kW
(HOME-C60 / HOME-C90)
Dimensions en mm



11. Pièces de rechange

N°	Désignation	Références	Quantité
1	Éléments chauffants 2000 W	HP-HOME-200 (1-043-618)	3
1	Éléments chauffants 3000 W	HP-HOME-300 (1-043-620)	3
2	Élément chauffant évaporateur 2000 W	VZH-104 (1-047-023)	1
3	Unité évaporateur complète	WX671 (1-051-000)	1
4	Dispositif de protection thermique 140 °C	ZSK-764 (1-046-109)	1
5	Thermostat 110 °C	ZSN-250 (1-046-108)	1



Stufa per sauna

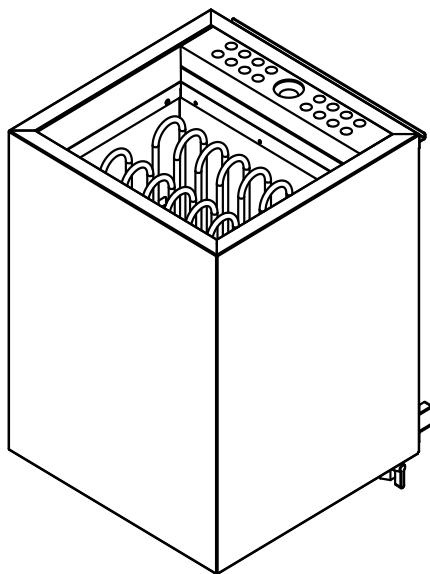
Home combi

HOME-C60 / 1-050-408: Home combi 6,0 kW

HOME-C90 / 1-050-411: Home combi 9,0 kW

ISTRUZIONI DI MONTAGGIO E PER L'USO

Italiano



IT

Indice

1. Informazioni sul presente manuale	4
2. Importanti indicazioni per la sicurezza personale	5
2.1. Conformità d'uso	5
2.2. Indicazioni di sicurezza per l'installatore	6
2.3. Indicazioni di sicurezza per l'utilizzatore	7
3. Descrizione del prodotto	8
3.1. Dotazione	8
3.2. Accessori	8
3.3. Funzioni del prodotto	8
4. Montaggio e collegamento	8
4.1. Luogo di installazione e posizione della sonda	9
4.2. Distanze di sicurezza	9
4.3. Montaggio alla parete della cabina	10
4.4. Schema di collegamento per 400 V 3 N~	12
4.5. Schema di collegamento per 230 V 1 N~	13
4.6. Schemi di cablaggio	14
4.7. Collegamento elettrico	14
5. Messa in funzione	16
5.1. Riempimento del contenitore delle pietre	16
5.2. Primo riscaldamento	17
6. Utilizzo	18
6.1. Utilizzo della stufa per sauna	18
6.2. Funzionamento sauna finlandese	18
6.3. Funzionamento combinato	19

7. Manutenzione	21
7.1. Pause di funzionamento prolungate.....	21
7.2. Pulizia della stufa per sauna.....	21
7.3. Sostituzione delle pietre.....	22
7.4. Pulizia del contenitore dell'evaporatore.....	22
7.5. Decalcificazione del contenitore dell'evaporatore.....	23
8. Smaltimento	23
9. Risoluzione del problema con l'intervento di un installatore	24
10. Specifiche tecniche	25
11. Pezzi di ricambio	26

1. Informazioni sul presente manuale

Leggere attentamente le presenti istruzioni di montaggio e d'uso e conservarle vicino alla sauna. Così facendo è possibile controllare in ogni momento le informazioni sulla sicurezza e sull'utilizzo.



Le presenti istruzioni di montaggio e d'uso si trovano anche nell'area di download della nostra pagina web all'indirizzo:
www.sentiotec.com/downloads.

Simboli nelle avvertenze

Nelle presenti istruzioni di montaggio e d'uso, prima di ogni attività che genera un pericolo, è applicata un'avvertenza. Osservare sempre queste avvertenze. Così facendo, si evitano danni a beni materiali e lesioni che, nel peggiore dei casi, possono essere addirittura mortali.

Nelle avvertenze vengono utilizzati pittogrammi che hanno i seguenti significati:



PERICOLO!

L'inosservanza di questa avvertenza può causare lesioni gravi o addirittura mortali.



AVVERTENZA!

L'inosservanza di questa avvertenza può causare lesioni gravi o addirittura mortali.



ATTENZIONE!

L'inosservanza di questa avvertenza può causare lesioni lievi.

ATTENZIONE!

Questo pittogramma avverte della possibilità di danni a beni materiali.

Altri simboli



Questo simbolo indica consigli e indicazioni utili.



Non coprire!



Leggere il manuale di istruzioni

2. Importanti indicazioni per la sicurezza personale

La stufa per sauna Home combi fin è costruita secondo le regole vigenti riconosciute per la sicurezza. Tuttavia, durante l'utilizzo possono presentarsi pericoli. Osservare pertanto le seguenti indicazioni di sicurezza e le avvertenze speciali riportate nei singoli capitoli.

2.1. Conformità d'uso

Home combi è una stufa per sauna con evaporatore integrato. Home combi può essere utilizzata solo per riscaldare cabine per sauna e per aumentare l'umidità al loro interno. Home combi può essere utilizzata solo in combinazione con un comando della sauna senza funzione di avvio remoto.

Solo se in combinazione con il disinserimento di sicurezza disponibile come opzione, la stufa per sauna Home combi può essere azionata anche con un comando della sauna dotato di funzione di avvio remoto.

Solo in combinazione con il disinserimento di sicurezza disponibile come opzione è consentito azionare la stufa per sauna Home combi anche in saune pubbliche.

Qualsiasi altro utilizzo è considerato improprio. Un utilizzo improprio può causare danni al prodotto e lesioni gravi o mortali.

2.2. Indicazioni di sicurezza per l'installatore

- I lavori di montaggio e di collegamento della stufa per sauna devono essere eseguiti solo in assenza di tensione.
- Il montaggio deve essere eseguito solo da elettricisti o da persone con una qualifica simile.
- Per l'installazione, predisporre sul posto un dispositivo di separazione su tutti i poli con disinnesto totale corrispondente alla categoria di sovratensione III.
- Per collegare la stufa per sauna, utilizzare solamente tubi in silicone termoresistenti fino a una temperatura di 150 °C.
- Installare la stufa per sauna solo nella cabina. La stufa per sauna Home combi non può essere utilizzata insieme ad altre stufe nella stessa cabina.
- Il soffitto e le pareti della cabina della sauna devono essere costruiti in legno a basso contenuto di resina, non trattato o termotrattato, ad es. abete rosso nordico, tsuga, pino o abete bianco oppure in materiali a strati di legno. Se si utilizzano materiali in strati di legno, accertarsi che le colle ivi presenti non rilascino formaldeide. Se nella cabina vengono utilizzati altri materiali, questi devono essere resistenti al calore e alla corrosione e non devono avere effetti negativi sulla salute di chi fa la sauna.
- La cabina deve avere un'altezza di almeno 1,9 m.
- Osservare i valori prescritti per il volume e la ventilazione della cabina per sauna al capitolo **10. Specifiche tecniche** a pagina **25**.
- Durante l'installazione della stufa per sauna osservare le distanze di sicurezza minime (vedi capitolo **4.2. Distanze di sicurezza**).
- Osservare anche le disposizioni locali valide sul luogo di installazione.
- Qualora si presentassero problemi non trattati in modo esaustivo nelle presenti istruzioni di montaggio, per la vostra sicurezza vi preghiamo di rivolgervi al vostro fornitore.

2.3. Indicazioni di sicurezza per l'utilizzatore

- Il dispositivo non deve essere utilizzato da bambini di età inferiore agli 8 anni.
- Questo dispositivo può essere utilizzato da bambini di età superiore a 8 anni, da persone con capacità fisiche, sensoriali o mentali limitate e prive di esperienza o delle necessarie conoscenze nel rispetto delle seguenti condizioni:
 - se sono in presenza di persone responsabili per loro;
 - se è stato spiegato loro come utilizzare l'apparecchio in modo sicuro e sono chiari i pericoli che ne possono derivare.
- Ai bambini non è permesso giocare con il dispositivo.
- I bambini al di sotto dei 14 anni possono pulire il dispositivo solo in presenza di adulti.
- Se si è sotto l'effetto di alcol, medicinali o droghe, per motivi di salute evitare l'uso della sauna.
- Non mettere mai in funzione la stufa per sauna senza le pietre perché potrebbero verificarsi incendi.
- Prima di accendere il comando della sauna, assicurarsi che sulla stufa per sauna non si trovino oggetti infiammabili.
- PRIMA dell'utilizzo iniziale della sauna, riscaldare la stufa per mezz'ora. NON rimanere nella cabina della sauna durante questo arco di tempo. Quindi aerare bene la cabina (vedi **5.2. Primo riscaldamento** a pagina 17).
- Non toccare mai la stufa per sauna durante il funzionamento. La superficie della stufa per sauna e le pietre si scaldano molto.
- Qualora si presentassero problemi non trattati in modo esaustivo nelle istruzioni per l'uso, per la vostra sicurezza, vi preghiamo di rivolgervi al vostro fornitore.

3. Descrizione del prodotto

3.1. Dotazione

- Stufa per sauna
- Istruzioni di montaggio e d'uso

3.2. Accessori

<i>Accessori</i>	<i>Numero articolo</i>
Interruttore di disinserimento	SFE-350400 / 1-045-583

3.3. Funzioni del prodotto

- **sauna finlandese**: normalmente da 80 a 100 °C; ca. 10% di umidità relativa dell'aria
- **funzionamento combinato** (solo in combinazione con un controllo combinato): da ca. 40 a 65 °C, dal 35% a ca. il 70% di umidità dell'aria. L'umidità dell'aria massima consentita scende con l'aumentare della temperatura.

4. Montaggio e collegamento

Tenere presente i seguenti punti durante l'installazione e il collegamento della stufa per sauna:



AVVERTENZA!

Pericolo di scossa elettrica

- Eseguire i lavori di montaggio e collegamento alla stufa per sauna solo in assenza di tensione.
- Il collegamento elettrico deve essere eseguito solo da elettricisti specializzati o da persone con una qualifica simile.
- Per l'installazione, predisporre sul posto un dispositivo di separazione su tutti i poli con disinnesco totale corrispondente alla categoria di sovratensione III.
- La stufa per sauna Home combi è una stufa da parete. Prima della messa in funzione è necessario verificare che la stufa sia stata fissata bene sul listello di montaggio.

4.1. Luogo di installazione e posizione della sonda

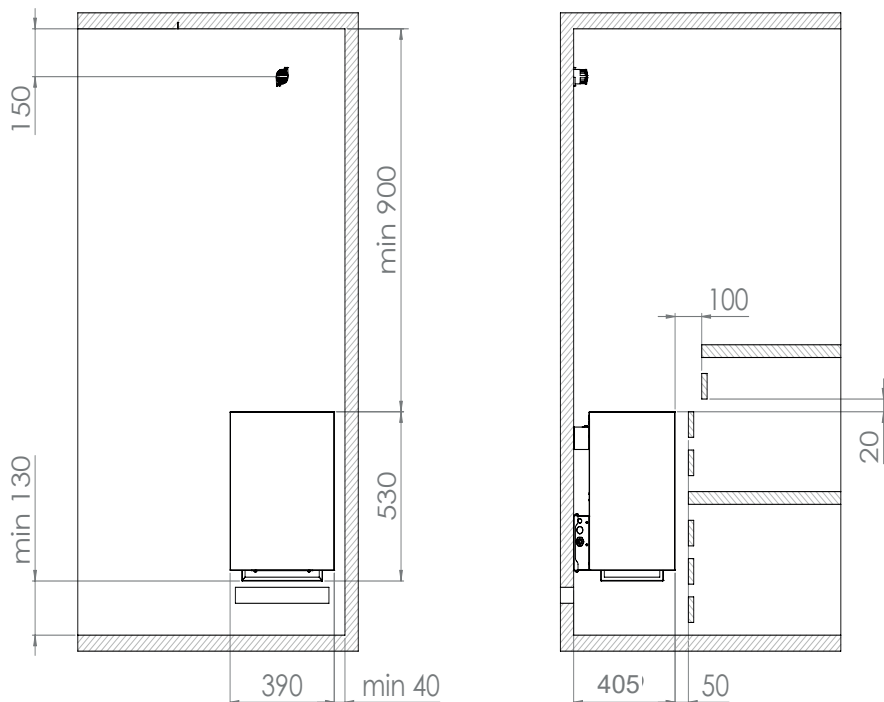
Montare la stufa centralmente davanti all'apertura dell'entrata dell'aria sulla parete della cabina. Durante questa operazione mantenere le distanze di sicurezza indicate nella **Fig. 1** rispetto alla parete della cabina.

Montare la sonda termica con fusibile termico di protezione alla parete della cabina al di sopra del centro della stufa per sauna. Rispettare una distanza di 15 cm dal tetto della cabina. Rispettare le indicazioni nelle istruzioni di montaggio del comando della sauna.

4.2. Distanze di sicurezza

Osservare le distanze di sicurezza minime indicate nella **Fig. 1**.

Fig. 1 Distanze di sicurezza
Home combi 6,0 kW e 9,0 kW
(HOME-C60 / HOME-C90)
Dimensioni in mm



4.3. Montaggio alla parete della cabina

Osservare la **fig. 1**, **fig. 2**, **fig. 3** e **fig. 4** (pagina **9**, **10**, **11**).

1. Fissare il listello di montaggio **[1]** orizzontalmente con le viti per legno in dotazione **[2]**. Rispettare le distanze minime della stufa nella fig. 1.
2. Agganciare la stufa **[3]** dall'alto in basso sul listello montaggio.
La stufa deve essere posizionata saldamente.
3. Fissare la stufa **[3]** con la vite di sicurezza in dotazione **[4]** al listello di montaggio **[1]**.



AVVERTENZA!

Pericolo di incendio

- Per fissare la stufa ed impedire che si sposti, utilizzare la vite di sicurezza in dotazione **[4]**.

Fig. 2 Listello di montaggio Home combi
Dimensioni in mm

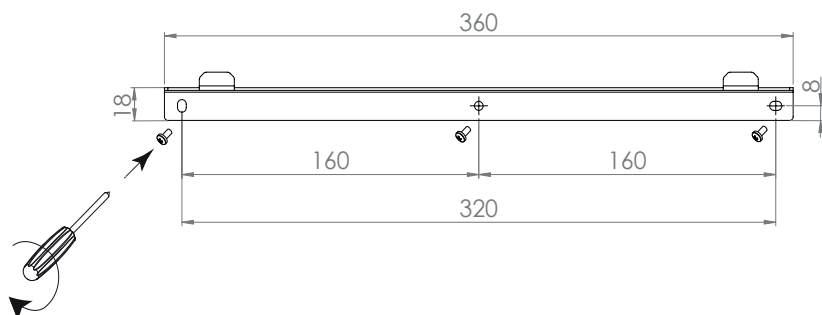


Fig. 3 Posizione del listello di montaggio Home combi
Dimensioni in mm

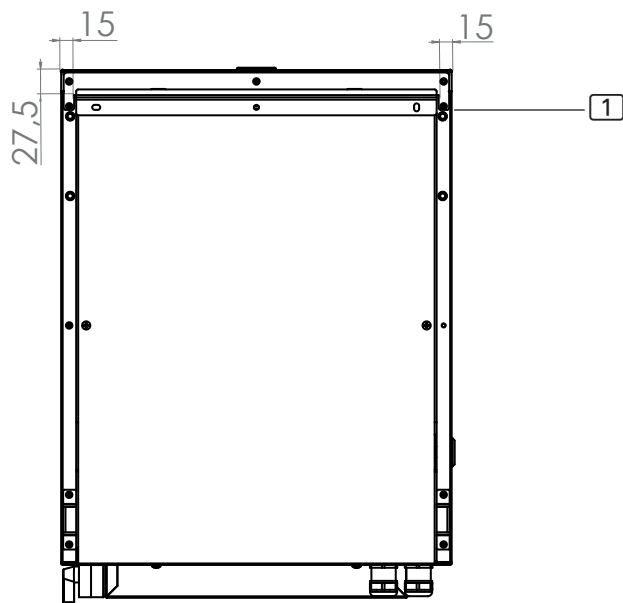
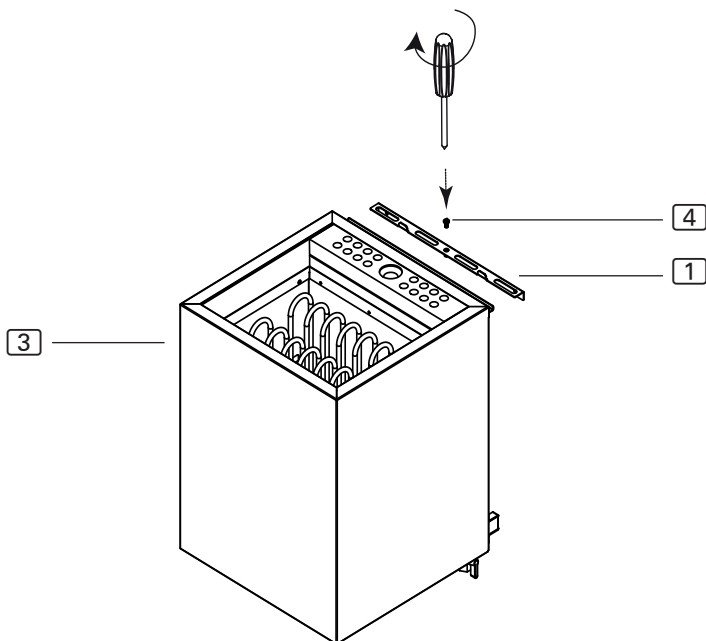
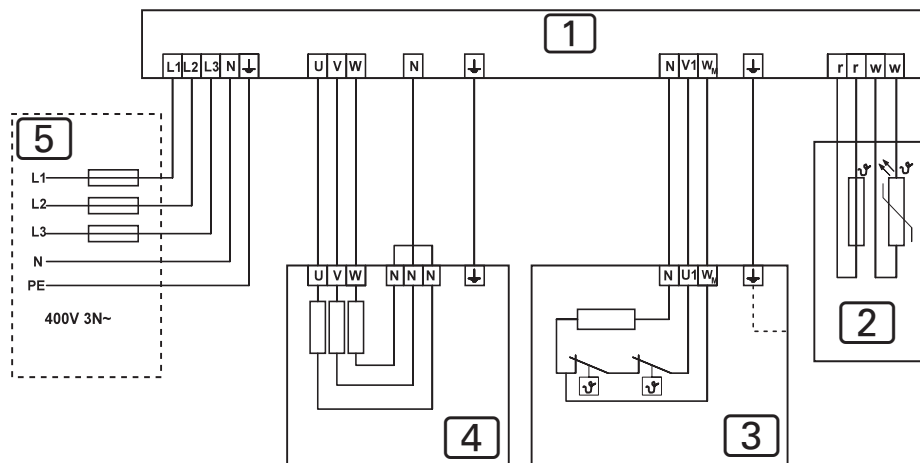


Fig. 4 Fusibile Home combi (listello di montaggio)



4.4. Schema di collegamento per 400 V 3 N~

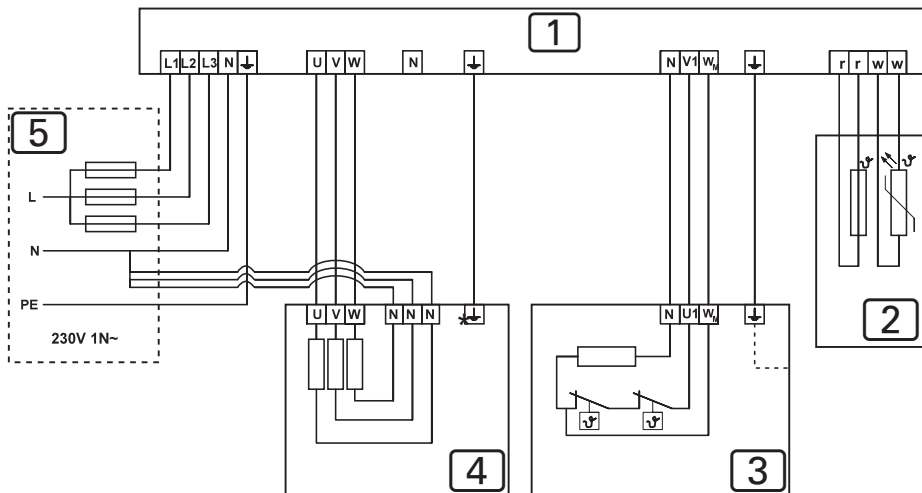
Fig. 5 Schema di collegamento 400 V 3 N~
Home combi 6,0 kW e 9,0 kW
(HOME-C60 / HOME-C90)



- 1 Comando della sauna
- 2 Sonda termica con fusibile termico di protezione
- 3 Evaporatore 2,0 kW
- 4 Sistema di riscaldamento 6,0 kW o 9,0 kW
- 5 Alimentazione di corrente

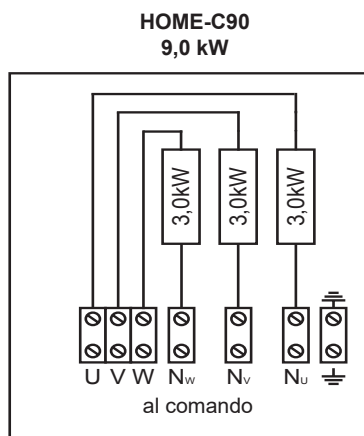
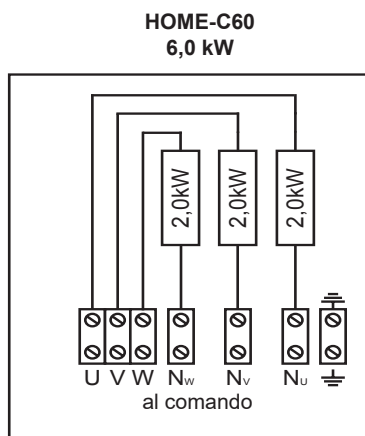
4.5. Schema di collegamento per 230 V 1 N~

Fig. 6 Schema di collegamento 230 V 1 N~
Home combi 6,0 kW e 9,0 kW
(HOME-C60 / HOME-C90)



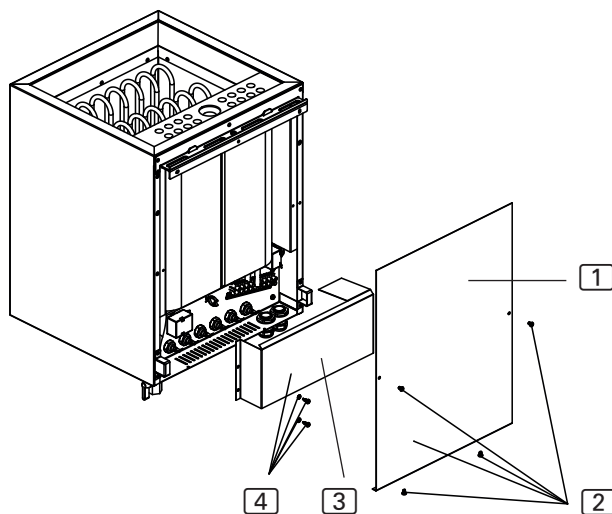
- 1 Comando della sauna
 - 2 Sonda termica con fusibile termico di protezione
 - 3 Evaporatore 2,0 kW
 - 4 Sistema di riscaldamento 6,0 kW o 9,0 kW
 - 5 Alimentazione di corrente
- * Rimuovere il ponte in rame

4.6. Schemi di cablaggio



4.7. Collegamento elettrico

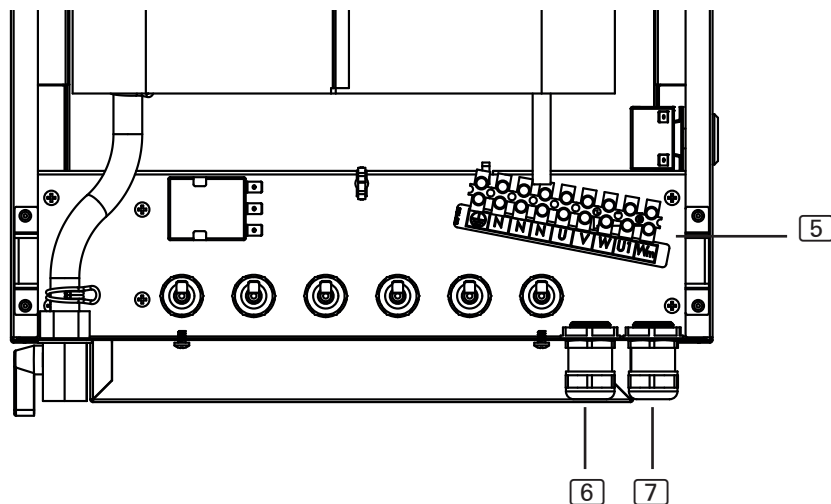
1. Allentare le viti con un cacciavite.
2. Rimuovere la lamiera di copertura .
3. Allentare le viti con un cacciavite.
4. Rimuovere la lamiera di copertura .



Collegamento Home combi 6,0 kW e 9,0 kW

(HOME-C60 / HOME-C90)

1. Far passare il cavo di collegamento per il sistema di riscaldamento attraverso il passacavo [6].
2. A seconda del tipo di collegamento, collegare i fili del cavo di collegamento ai morsetti corrispondenti della morsettiere [5] e ai morsetti corrispondenti del comando della sauna. Per questa operazione osservare le istruzioni di montaggio del comando della sauna e gli schemi di collegamento a pagina 12 e 13.
1. Far passare il cavo di collegamento per l'evaporatore attraverso il passacavo [7].
2. Collegare i fili del cavo dell'evaporatore ai morsetti PE – N – U1 – Wm della morsettiere [5] e ai morsetti corrispondenti del comando della sauna. Per questa operazione osservare le istruzioni di montaggio del comando della sauna e gli schemi di collegamento a pagina 12 e 13.
3. Fissare nuovamente le lamiere di copertura [3] e [1] sulla stufa per sauna.



- [5] Morsettiere per il sistema di riscaldamento e l'evaporatore
[6] Passacavi per il cavo di collegamento del sistema di riscaldamento
[7] Passacavo per il cavo dell'evaporatore

5. Messa in funzione

5.1. Riempimento del contenitore delle pietre



AVVERTENZA!

Pericolo d'incendio per surriscaldamento

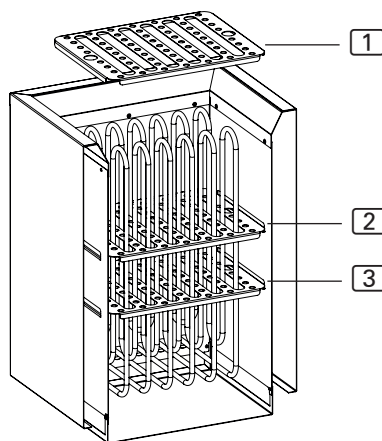
Se la stufa per sauna viene utilizzata senza pietre, le pareti della cabina si riscaldano molto. Per questo motivo possono verificarsi incendi.

- Non mettere MAI in funzione la stufa per sauna senza pietre.

La griglia di protezione per le pietre **1** può essere montata in diverse altezze.

Posizione **2**: una quantità di pietre minore comporta tempi di riscaldamento più brevi e risparmio energetico

Posizione **3** (posizione di fabbrica): una maggiore quantità di pietre prevede l'utilizzo di una maggiore quantità d'acqua per la gettata di vapore in sauna: più vapore, tempi di riscaldamento più lunghi



Desumere la quantità di pietre adatta alla stufa dal capitolo **Specifiche tecniche** (vedi pagina **25**).

1. Prima di utilizzare le pietre per la sauna, lavarle accuratamente con una spazzola e acqua. Non utilizzare additivi per la pulizia.
2. Prima di mettere le pietre nella stufa, controllare se sono presenti corpi estranei e rimuovere i resti dell'imballaggio.
3. Mettere le pietre per sauna nell'apposito contenitore, anche fra le resistenze. Collocare le pietre per sauna in modo non troppo ravvicinato, affinché l'aria possa circolare fra gli spazi.
4. **Fare attenzione che le resistenze NON entrino in contatto fra di loro.**
5. Assicurarsi che le pietre non sporgano oltre il bordo del contenitore.

5.2. Primo riscaldamento



ATTENZIONE!

Formazione di fumo e odori durante il primo riscaldamento

Sulle nuove resistenze si trovano materiali di consumo derivanti dal processo di produzione. Questi si disgregano al momento del primo riscaldamento della stufa. Ciò produce fumo e un odore sgradevole. In caso di inalazione, questi fumi e vapori sono nocivi per la salute.

ATTENZIONE!

La protezione da surriscaldamento del dispositivo può attivarsi anche a temperature inferiori a $-5^{\circ}\text{C}/23^{\circ}\text{F}$ (conservazione, trasporto, ambiente). Prima dell'installazione, portare il dispositivo in un ambiente caldo. La protezione da surriscaldamento può essere reimpostata quando la temperatura del dispositivo è di circa $18^{\circ}\text{C}/64^{\circ}\text{F}$. La protezione da surriscaldamento deve essere reimpostata prima di utilizzare il dispositivo.

Eseguire i seguenti passaggi se si mette in funzione **per la prima volta** la stufa e se **sono state sostituite le resistenze**. In tal modo si evitano danni alla salute dovuti a fumi e vapori che derivano dal primo riscaldamento.

1. Primo utilizzo delle resistenze
 - a. Selezionare la temperatura più alta possibile sul comando della sauna.
 - b. Riscaldare la stufa per mezz'ora.
NON rimanere nella cabina durante questo arco di tempo.
2. Primo riscaldamento dell'evaporatore
 - a. Selezionare nel comando della sauna una temperatura bassa e un'alta umidità dell'aria.
 - b. Riscaldare l'evaporatore con una quantità d'acqua pari alla metà (vedi **Riempimento dell'evaporatore** a pagina 20)
NON rimanere nella cabina durante questo arco di tempo.
 - c. Disattivare il comando della sauna dopo ca. 15 minuti.
 - d. Lasciar raffreddare l'evaporatore (per circa mezz'ora).
 - e. Svuotare il serbatoio dell'acqua (vedi **Riempimento dell'evaporatore** a pagina 20)
 - f. Ripetere il punto 2.b.
 - g. Aerare bene la cabina dopo il primo riscaldamento.
 - h. Se al successivo riscaldamento non si produce alcun odore e fumo, si può procedere alla prima sauna.
Se odore e fumo continuano a prodursi, uscire immediatamente dalla cabina della sauna e ripetere la procedura del primo riscaldamento con successiva aerazione.

6. Utilizzo



AVVERTENZA!

Pericolo di incendio

Gli oggetti infiammabili che poggiano sulla stufa calda, infiammandosi causano incendi.

- Non appoggiare MAI oggetti infiammabili sulla stufa.
 - Prima di mettere in funzione la stufa per sauna, assicurarsi che su quest'ultima NON poggino oggetti infiammabili.
-

6.1. Utilizzo della stufa per sauna

Il comando della stufa per sauna avviene mediante un dispositivo di comando della sauna. Per informazioni sull'impiego del comando della sauna leggere il manuale di istruzioni dell'apparecchio utilizzato. Osservare che la stufa per sauna Home combi è adatta solo per comandi della sauna senza funzione di avvio remoto.

6.2. Funzionamento sauna finlandese

Nel funzionamento a sauna finlandese, si attiva solo il sistema di riscaldamento. Durante il funzionamento della sauna è presente aria calda e secca. La temperatura nella cabina è elevata (80-100 °C). Il livello di umidità è basso e corrisponde al massimo al 10%. La temperatura nella cabina della sauna è regolata dal comando della sauna.

Al termine della sauna è possibile eseguire una gettata di vapore. A tal fine versare acqua con un mestolo sulle pietre. Così facendo l'acqua evapora e l'umidità dell'aria nella cabina aumenta.

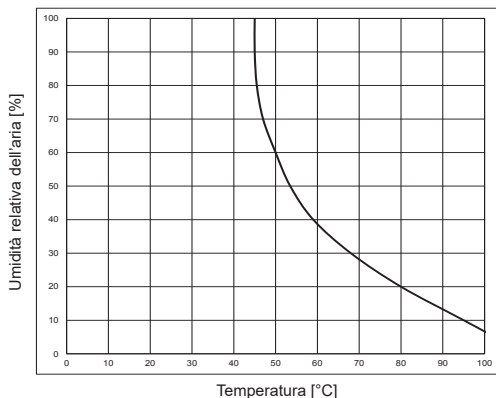
Durante la gettata di vapore, osservare i seguenti punti:

- Per la gettata di vapore utilizzare solo acqua del rubinetto. L'acqua salata e l'acqua contenente molto calcare e cloro possono danneggiare la stufa della sauna.
- Utilizzare solo aromi e oli essenziali adatti per essere utilizzati come sostanze per la gettata di vapore nelle saune. Osservare le indicazioni del produttore presenti sulla confezione delle essenze utilizzate per la gettata di vapore.
- Non versare l'acqua troppo velocemente sulle pietre. Solo così l'acqua per la gettata di vapore evapora completamente.

6.3. Funzionamento combinato

Con il funzionamento combinato, si attivano il sistema di riscaldamento e l'evaporatore. La temperatura nella cabina della sauna è inferiore rispetto alla sauna finlandese (ca. da 40 a 65 °C), però l'umidità relativa dell'aria è notevolmente maggiore, con valori compresi fra 35% e circa 70%. L'umidità dell'aria massima consentita scende con l'aumentare della temperatura. La temperatura e l'umidità dell'aria nella cabina della sauna sono regolate dal comando della sauna.

Fig. 7 Curva caratteristica temperatura / Umidità relativa dell'aria (conforme a EN 60335-2-53)



Sono possibili esclusivamente impostazioni inferiori alla curva caratteristica a sinistra. Ad esempio, con il 60% non è possibile scendere al di sotto di una temperatura di 50 °C.

Il contenitore dell'evaporatore deve essere riempito a mano. Quando il serbatoio di acqua nel contenitore dell'evaporatore è vuoto, la protezione dal surriscaldamento disattiva automaticamente il riscaldamento dell'evaporatore. La mancanza di acqua viene comunicata al comando della sauna e li viene visualizzata ad es. con un segnale acustico e con il messaggio "FILL".

ATTENZIONE!

Danneggiamento dell'evaporatore

Acqua salata, acqua calcarea e con aggiunta di cloro, erbe, essenze o aromi possono danneggiare l'evaporatore.

- Riempire il contenitore dell'evaporatore solo con acqua di rubinetto.
- Non mettere erbe, essenze o aromi direttamente nel contenitore dell'evaporatore, ma solo nella vaschetta in ceramica sopra l'evaporatore.
- Decalcificare regolarmente l'evaporatore (vedi **7.5 a pagina 23**).

Riempimento dell'evaporatore



ATTENZIONE!

Pericolo di ustioni

Quando si mette l'acqua nel contenitore dell'evaporatore acceso, si forma vapore caldo.

- NON versare MAI acqua sul contenitore dell'evaporatore caldo.
- Controllare e riempire sempre il contenitore dell'evaporatore prima di avviare il dispositivo in funzionamento combinato.
- Se la protezione dal surriscaldamento ha disattivato la produzione di calore dell'evaporatore o se il comando della sauna segnala la mancanza di acqua, lasciar raffreddare l'evaporatore PRIMA di versare acqua all'interno del suo contenitore.



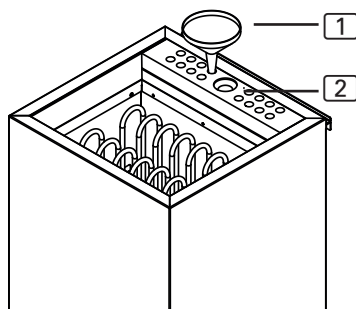
ATTENZIONE!

Pericolo di ustioni

Se il contenitore dell'evaporatore è troppo pieno, l'acqua bollente schizza fuori.

- Riempire il contenitore dell'evaporatore con 5 litri d'acqua.

1. Utilizzare un imbuto **[1]** oppure rimuovere la pietra ollare **[2]**.
2. Riempire il contenitore dell'evaporatore con acqua di rubinetto fresca. Sono necessari circa 5 litri di acqua. Con questa quantità, l'evaporatore funziona per circa un'ora.
3. Rimuovere l'imbuto **[1]** o reinserire la pietra ollare.



Utilizzo di aromi

Se lo si desidera, è possibile aggiungere aromi liquidi o erbe essiccate sulla pietra ollare. Procedere nel seguente modo:

- Non mettere gli aromi direttamente nel contenitore dell'evaporatore.
- Riempire con cautela l'incavo nella pietra ollare solo a metà, in modo che gli aromi non sgocciolino attraverso i fori nel contenitore dell'evaporatore.
- Osservare le indicazioni del produttore presenti sulla confezione delle erbe e degli aromi.
- Pulire regolarmente la pietra ollare sotto acqua corrente.

7. Manutenzione

7.1. Pause di funzionamento prolungate

In caso di condizioni ambientali umide o in seguito a pause di funzionamento prolungate, si accumula umidità nelle resistenze. Questo è un processo fisico e non un errore del produttore. L'umidità nelle resistenze può far scattare l'interruttore differenziale di protezione. Per eliminare il problema in questo caso informare un elettricista (vedi capitolo **9. Risoluzione del problema con l'intervento di un installatore** a pagina **24**).



Riscaldare la stufa della sauna ogni 5, 6 settimane per ca. 15 minuti. In questo modo si impedisce l'accumulo d'acqua nelle resistenze in caso di pause di funzionamento prolungate.

7.2. Pulizia della stufa per sauna

Assicurarsi che le bocchette di aerazione siano libere da pelucchi e polvere. In questo modo si evita che diminuisca la circolazione dell'aria nella stufa e il surriscaldamento del dispositivo.

7.3. Sostituzione delle pietre

Le pietre subiscono forti sollecitazioni da parte delle sostanze per la gettata di vapore e dalle grandi differenze di temperatura che possono presentarsi con l'uso. Le pietre possono consumarsi o diventare friabili.

**AVVERTENZA!*****Pericolo d'incendio per surriscaldamento***

Se la stufa per sauna viene utilizzata senza pietre, le pareti della cabina si riscaldano molto. Per questo motivo possono verificarsi incendi.

- Non mettere MAI in funzione la stufa per sauna senza pietre.
-

Controllare le pietre a intervalli regolari e sostituirle almeno una volta l'anno.

1. Rimuovere le pietre vecchie.
2. Eliminare dal contenitore delle pietre residui di calcare, polvere e altre impurità.
3. Prima di utilizzare le pietre per la sauna, lavarle accuratamente con una spazzola e acqua. Non utilizzare additivi per la pulizia.
4. Prima di mettere le pietre nella stufa, controllare se sono presenti corpi estranei e rimuovere i resti dell'imballaggio.
5. Mettere le pietre per sauna nell'apposito contenitore. Collocare le pietre per sauna in modo non troppo ravvicinato, affinché l'aria possa circolare fra gli spazi.
6. Assicurarsi che le pietre non sporgano oltre il bordo del contenitore.

7.4. Pulizia del contenitore dell'evaporatore

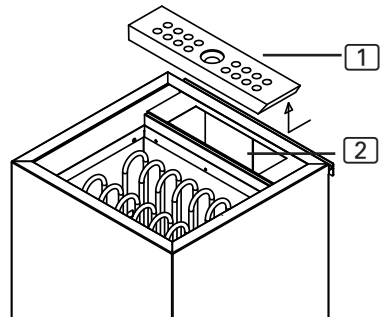
Svuotare e pulire il contenitore dell'evaporatore dopo ogni utilizzo.

Procedere nel seguente modo:

1. Attendere che l'acqua dell'evaporatore si raffreddi.
2. Posizionare un contenitore di raccolta (almeno da 5 litri) sotto il rubinetto a sfera alla base dell'evaporatore.
3. Aprire il rubinetto a sfera verso sinistra finché non esce tutta l'acqua residua.
4. Una volta che il contenitore dell'evaporatore è vuoto, chiudere il rubinetto a sfera.
5. Rimuovere la pietra ollare.
6. Pulire il contenitore dell'evaporatore con una spazzola di setole artificiali. Durante questa operazione fare attenzione che i cavi dei sensori del serbatoio non vengano danneggiati. Risciacquare con acqua.
7. Reinscrivere la pietra ollare.

7.5. Decalcificazione del contenitore dell'evaporatore

Decalcificare il contenitore dell'evaporatore quando necessario. Utilizzare un anticalcare per utensili domestici. Osservare le disposizioni e gli avvisi di sicurezza del produttore.



1. Rimuovere la pietra ollare.
2. Svuotare il contenitore dell'evaporatore.
3. Preparare la soluzione anticalcare secondo le indicazioni del produttore.
4. Riempire l'evaporatore con la soluzione anticalcare fino al bordo del calcare.
5. Lasciar agire la soluzione anticalcare secondo le indicazioni del produttore.
6. Posizionare un contenitore sotto il rubinetto a sfera alla base dell'evaporatore e svuotare il contenitore dell'evaporatore.
7. Risciacquare il contenitore dell'evaporatore 2 volte con acqua di rubinetto fredda.

8. Smaltimento



- Smaltire i materiali dell'imballaggio conformemente alle normative sullo smaltimento vigenti.
- I vecchi apparecchi contengono materiali riciclabili ma anche sostanze dannose. Non gettare mai l'apparecchio usato insieme ai rifiuti non riciclabili, bensì smaltirlo in conformità alle norme vigenti a livello locale.

9. Risoluzione del problema con l'intervento di un installatore

Riscaldamento delle resistenze

In caso di condizioni ambientali umide o in seguito a pause di funzionamento prolungate, può accumularsi umidità nelle resistenze. Questo è un processo fisico e non un errore del produttore. L'umidità nelle resistenze, in alcuni casi, può far scattare l'interruttore differenziale di protezione.

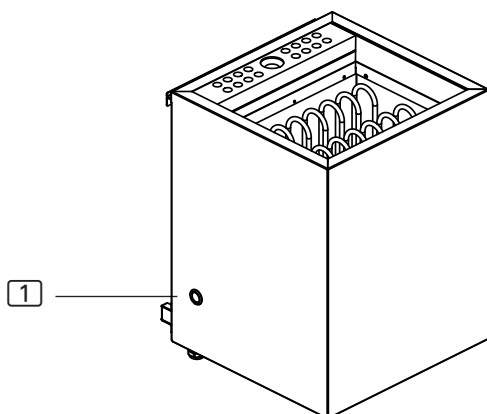
In questo caso è necessario riscaldare la stufa in presenza di un elettricista. A tal fine, la funzione di protezione dell'interruttore differenziale deve essere disattivata. Il processo di riscaldamento dura ca. 10 minuti. Dopodiché ripristinare la funzione di protezione dell'interruttore differenziale.

Se il problema persiste, rivolgersi al proprio fornitore.

Ripristino del fusibile termico di protezione dell'evaporatore

Un interruttore termico assume la funzione di rilevamento della mancanza d'acqua. Se nel serbatoio dell'evaporatore si scende sotto un determinato livello dell'acqua (ca. 1 litro), questo interruttore termico disattiva la barra riscaldante. Contemporaneamente, il ritorno all'unità di comando per WM scende a 0 V – sull'unità di comando viene segnalato "Mancanza d'acqua".

Nel caso in cui l'evaporatore si surriscaldi comunque, un fusibile termico serve a proteggere dal surriscaldamento. Questo fusibile deve essere ripristinato manualmente. A tale scopo, premere il contatto nella parete laterale sinistra 1.

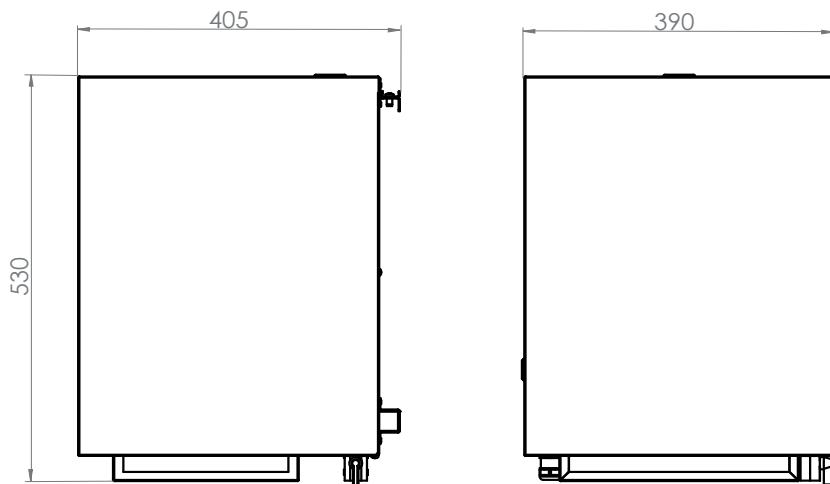


10. Specifiche tecniche

Numero articolo	Potenza [kW]	Potenza evaporatore [kW]	Volume della cabina [m ³]	Quantità di pietre [kg]	Peso senza pietre [kg]
HOME-C60	6,0	2,0	5 - 9	ca. 20 / 30	17
HOME-C90	9,0	2,0	8 - 14	ca. 20 / 30	17

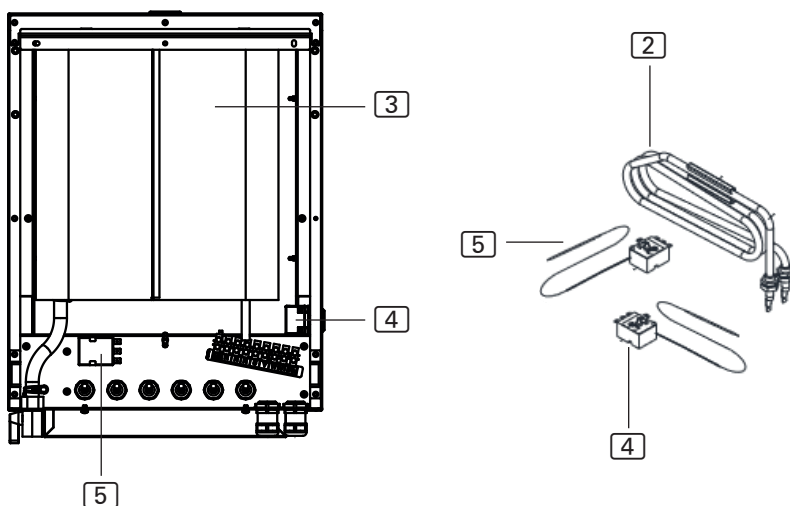
Numero articolo	Dimensione minima bocchetta di aerazione [mm]	Protezione [A]	Alimentazione
HOME-C60	350 x 35	3 x 10	400 V AC 3N~ 50/60 Hz 230 V AC 1N~ 50/60 Hz
HOME-C90	350 x 50	3 x 16	400 V AC 3N~ 50/60 Hz 230 V AC 1N~ 50/60 Hz

Fig. 8 Dimensioni Home combi 6,0 kW e 9,0 kW
(HOME-C60 / HOME-C90)
Dimensioni in mm



11. Pezzi di ricambio

N.	Denominazione	Numero articolo	Quantità
1	Elemento riscaldante 2000 W	HP-HOME-200 (1-043-618)	3
1	Elemento riscaldante 3000 W	HP-HOME-300 (1-043-620)	3
2	Elemento riscaldante evaporatore 2000 W	VZH-104(1-047-023)	1
3	Set evaporatore completo	WX671 (1-051-000)	1
4	Fusibile termico di protezione 140 °C	ZSK-764 (1-046-109)	1
5	Termostato 110 °C	ZSN-250 (1-046-108)	1



Saunakachel

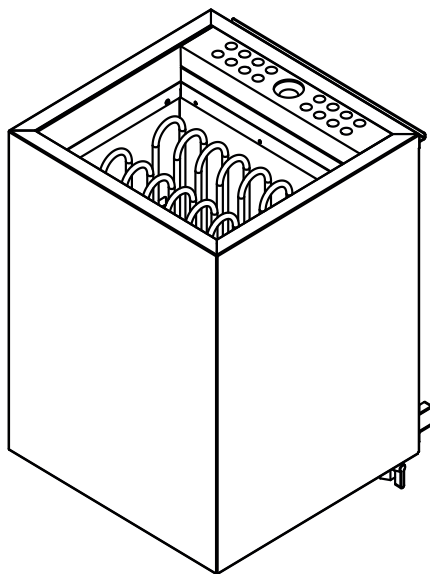
Home combi

HOME-C60 / 1-050-408: Home combi 6,0 kW

HOME-C90 / 1-050-411: Home combi 9,0 kW

MONTAGE- EN GEBRUIKSAANWIJZING

Nederlands



NL

Inhoudsopgave

1. Over deze handleiding	4
2. Belangrijke aanwijzingen voor uw veiligheid	5
2.1. Reglementair gebruik	5
2.2. Veiligheidsaanwijzingen voor de monteur	6
2.3. Veiligheidsaanwijzingen voor de gebruiker	7
3. Productbeschrijving	8
3.1. Leveromvang	8
3.2. Toebehoren	8
3.3. Productfuncties	8
4. Montage en aansluiting	8
4.1. Plaats van opstelling en voelerpositie	9
4.2. Veiligheidsafstanden	9
4.3. Montage aan de cabinewand	10
4.4. Aansluitschema voor 400 V 3 N~	12
4.5. Aansluitschema voor 230 V 1 N~	13
4.6. Bedradingschema's	14
4.7. Elektrische aansluiting	14
5. Inbedrijfstelling	16
5.1. Steenhouder vullen	16
5.2. Eerste keer verwarmen	17
6. Bediening	18
6.1. Saunakachel bedienen	18
6.2. Finse sauna	18
6.3. Combibedrijf	19

7. Onderhoud	21
7.1. Langere bedrijfspauzes.....	21
7.2. Saunakachel reinigen.....	21
7.3. Saunastenen wisselen.....	22
7.4. Verdampreservoir reinigen.....	22
7.5. Verdampreservoir ontkalken.....	23
8. Afvoer	23
9. Oplossen van problemen door de monteur	24
10. Technische gegevens	25
11. Reserveonderdelen	26

1. Over deze handleiding

Lees deze montage- en gebruiksaanwijzing goed door en bewaar deze in de buurt van de sauna. Zo kunt u te allen tijde informatie over uw veiligheid en de bediening nalezen.



U vindt deze montage- en gebruiksaanwijzing ook in het downloadbereik van onze website www.sentiotec.com/downloads.

Symbolen in waarschuwingsaanwijzingen

In deze montage- en gebruiksaanwijzing staat bij werkzaamheden die gevaarlijk kunnen zijn een waarschuwingsaanwijzing. Neem deze waarschuwingsaanwijzingen steeds in acht. Zo voorkomt u materiële schade, letsel en zelfs de dood.

In de waarschuwingsaanwijzingen worden signaalwoorden gebruikt die de volgende betekenis hebben:



GEVAAR!

Als u deze waarschuwingsaanwijzing niet in acht neemt, leidt dit tot ernstig letsel of de dood.



WAARSCHUWING!

Als u deze waarschuwingsaanwijzing niet in acht neemt, kan dit leiden tot ernstig letsel of de dood.



VOORZICHTIG!

Als u deze waarschuwingsaanwijzing niet opvolgt, kan dit leiden tot licht letsel.

ATTENTIE!

Dit signaalwoord waarschuwt voor materiële schade.

Andere symbolen



Dit symbool kenmerkt tips en nuttige aanwijzingen.



Niet afdekken!



Bedieningshandleiding lezen

2. Belangrijke aanwijzingen voor uw veiligheid

De saunakachel Home combi is gebouwd volgens erkende veiligheidstechnische voorschriften. Toch kunnen bij het gebruik gevaren ontstaan. Neem daarom de volgende veiligheidsaanwijzingen en de speciale waarschuwingaanwijzingen in de afzonderlijke hoofdstukken in acht.

2.1. Reglementair gebruik

De Home combi is een saunakachel met geïntegreerde verdamper. De Home combi mag alleen worden gebruikt voor de verwarming van saunacabines en de verhoging van de luchtvochtigheid in de saunacabine. De Home combi mag uitsluitend worden gebruikt in combinatie met een saunabesturing zonder startfunctie op afstand.

Alleen in combinatie met de optioneel verkrijgbare veiligheidsuitschakeling mag de saunakachel Home combi ook in combinatie met een saunabesturing met startfunctie op afstand worden gebruikt.

Alleen in combinatie met de optioneel verkrijgbare veiligheidsuitschakeling mag de saunakachel Home combi ook in openbare sauna's worden gebruikt.

Elk ander gebruik geldt als niet-reglementair. Niet-reglementair gebruik kan leiden tot productbeschadiging, ernstig letsel of de dood.

2.2. Veiligheidsaanwijzingen voor de monteur

- Montage- en aansluitwerkzaamheden aan de saunakachel mogen uitsluitend in stroomloze toestand worden uitgevoerd.
- De montage mag alleen door een elektricien of een vergelijkbaar gekwalificeerde persoon worden uitgevoerd.
- Op de plaats van opstelling moet een volledige scheidingsinrichting met complete uitschakeling overeenkomstig de overspanningscategorie III worden aangebracht.
- Gebruik voor de aansluiting van de saunakachel uitsluitend tot 150 °C temperatuurbestendige siliconenleidingen.
- Monteer slechts één saunakachel in de cabine. De saunakachel Home combi mag niet samen met andere saunakachels in één saunacabine worden gebruikt.
- Plafonds en muren van de saunacabine moeten van harsarm, onbehandeld of thermisch behandeld hout zijn vervaardigd, zoals Noorse spar, Canadese den, grenen- of sparrenhout, of van materialen met houtlagen. Bij gebruik van materialen met houtlagen mogen de kleefstoffen geen formaldehyde afgeven. Indien andere materialen dan hout in de saunacabine worden gebruikt, moeten deze hitte- en roestbestendig zijn en mogen deze materialen geen negatieve invloed hebben op de gezondheid van de saunagasten.
- De hoogte van de saunacabine moet minstens 1,9 m bedragen.
- Neem de gegevens over volume en ventilatie van de saunacabine in hoofdstuk **10. Technische gegevens** op pagina **25** in acht.
- Neem bij het opstellen van de saunakachel de minimale veiligheidsafstanden in acht (zie hoofdstuk **4.2. Veiligheidsafstanden**).
- Neem ook de plaatselijke bepalingen op de plaats van opstelling in acht.
- Raadpleeg voor problemen die in de montageaanwijzingen niet uitvoerig genoeg werden behandeld in het belang van uw eigen veiligheid uw leverancier.

2.3. Veiligheidsaanwijzingen voor de gebruiker

- Het apparaat mag niet door kinderen onder 8 jaar worden gebruikt.
- Het apparaat mag door kinderen boven 8 jaar, door personen met verminderde psychische, sensorische of mentale vaardigheden en door personen met gebrek aan ervaring en kennis worden gebruikt, mits:
 - onder toezicht.
 - indien veilig gebruik werd gedemonstreerd en ze de gevaren die kunnen ontstaan, begrijpen.
- Kinderen mogen niet met het apparaat spelen.
- Kinderen onder 14 jaar mogen het apparaat alleen onder toezicht reinigen.
- Maak in het belang van uw eigen gezondheid geen gebruik van de sauna, indien u onder invloed bent van alcohol, medicamenten of drugs.
- Gebruik de saunakachel in geen geval zonder saunastenen, omdat anders brand kan ontstaan.
- Controleer of er geen brandbare voorwerpen op de saunakachel liggen voordat u de saunabesturing inschakelt.
- Verwarm de saunakachel **VOOR** het eerste saunabad een half uur. Betreed gedurende deze tijd de saunacabine **NIET**. Ventileer de saunacabine vervolgens grondig (zie **5.2. Eerste keer verwarmen** op pagina **17**).
- Raak de saunakachel tijdens bedrijf nooit aan. Het oppervlak van de saunakachel en de saunastenen worden zeer heet.
- Raadpleeg in het geval van problemen die in de gebruiksaanwijzing niet uitvoerig genoeg worden behandeld in het belang van uw eigen veiligheid uw leverancier.

3. Productbeschrijving

3.1. Leveromvang

- Saunakachel
- Montage- en gebruiksaanwijzing

3.2. Toebehoren

<i>Toebehoren</i>	<i>Artikelnummer</i>
Uitschakelwip	SFE-350400 / 1-045-583

3.3. Productfuncties

- **Finse sauna:** normaal 80 tot 100 °C; ca. 10 % rel. luchtvochtigheid
- **Combibedrijf** (alleen in combinatie met een combibesturing): ca. 40 tot 65 °C, 35% tot ca. 70% luchtvochtigheid. De maximaal toegestane luchtvochtigheid daalt met stijgende temperatuur.

4. Montage en aansluiting

Neem volgende punten in acht bij het opstellen en aansluiten van de saunakachel:



WAARSCHUWING!

Gevaar voor elektrische schok

- Voer de montage- en aansluitwerkzaamheden aan de saunakachel alleen in stroomloze toestand uit.
- De elektrische aansluiting mag alleen door een elektricien of een vergelijkbaar gekwalificeerde persoon worden uitgevoerd.
- Op de plaats van opstelling moet een volledige scheidingsinrichting met complete uitschakeling overeenkomstig de overspanningscategorie III worden aangebracht.
- De saunakachel Home combi is een wandkachel. De vaste bevestiging van de kachel op de montagelijst moet voor inbedrijfstelling worden gecontroleerd.

4.1. Plaats van opstelling en voelerpositie

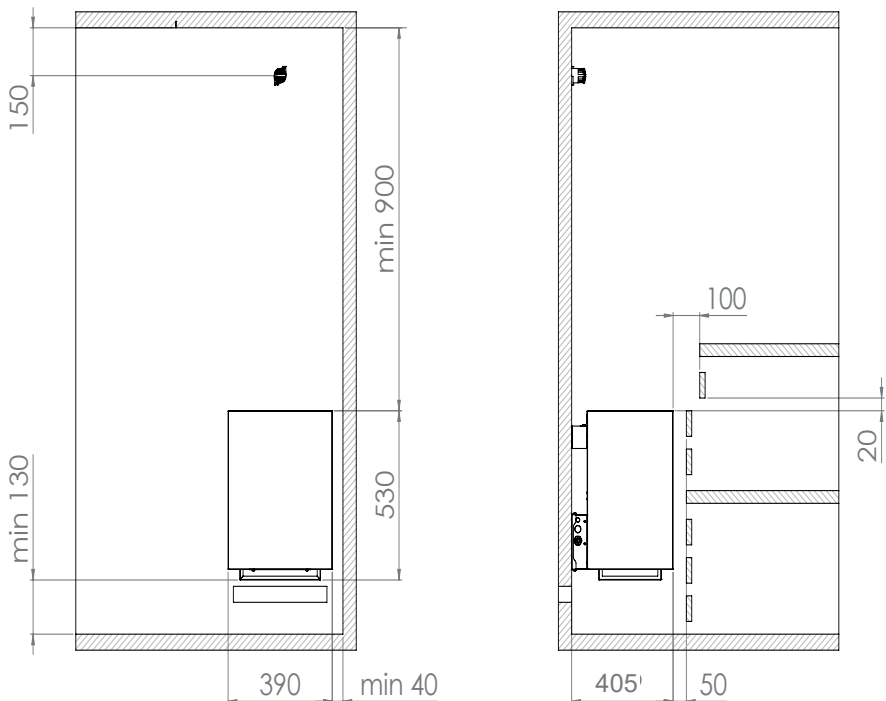
Monteer de kachel in het midden voor de luchtinlaat aan de cabinewand. Houd hierbij de in **afb. 1** aangegeven veiligheidsafstanden tot de cabinewand aan.

Monteer de temperatuurvoeler met oververhittingsbeveiliging aan de cabinewand boven het midden van de saunakachel. Houd een afstand van 15 cm tot het cabineplafond aan. Neem de gegevens in de montagehandleiding van de saunabesturing in acht.

4.2. Veiligheidsafstanden

Neem de in **afb. 1** aangegeven minimale veiligheidsafstanden in acht.

afb. 1 Veiligheidsafstanden
Home combi 6,0 kW en 9,0 kW
(HOME-C60 / HOME-C90)
Afmetingen in mm



4.3. Montage aan de cabinewand

Neem **afb. 1**, **afb. 2**, **afb. 3** en **afb. 4** (pagina **9**, **10**, **11**) in acht.

1. Bevestig de montagelijst **[1]** horizontaal met meegeleverde houtschroeven **[2]** aan de wand. Neem hierbij de minimum afstanden van de kachel in acht in **afb. 1**.
2. Hang de kachel **[3]** van boven naar beneden onder aan de montagelijst. Lijn de kachel hierbij goed uit.
3. Borg de kachel **[3]** middels meegeleverde borgschroef **[4]** op de montagelijst **[1]**.

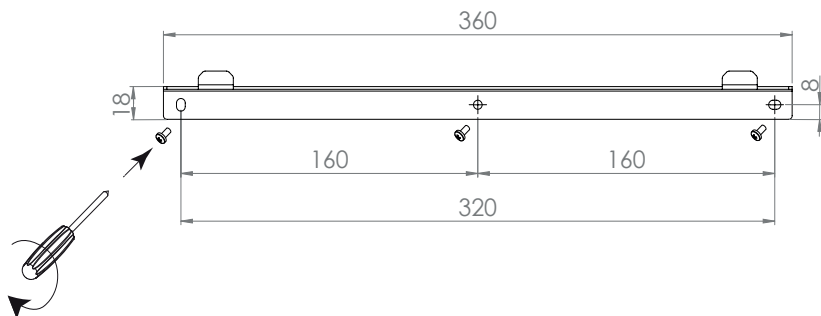


WAARSCHUWING!

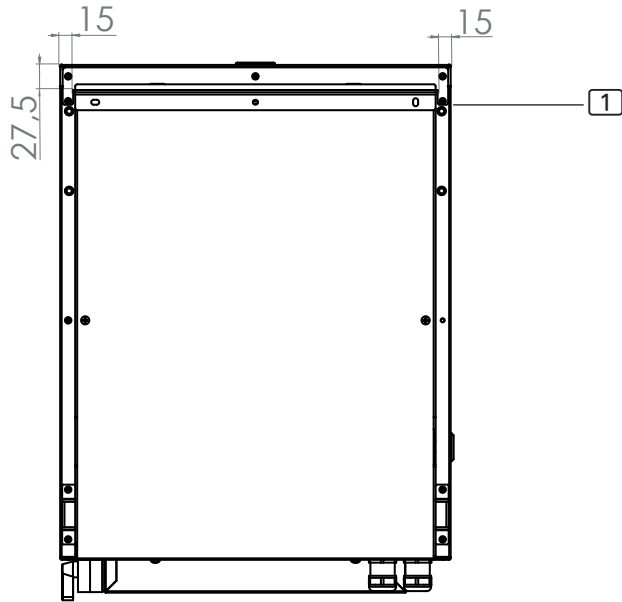
Brandgevaar

- Om de kachel vast te zetten en te beveiligen tegen wegglijden, moet deze met de bijgeleverde veiligheidsschroeven **[4]** worden vastgezet.

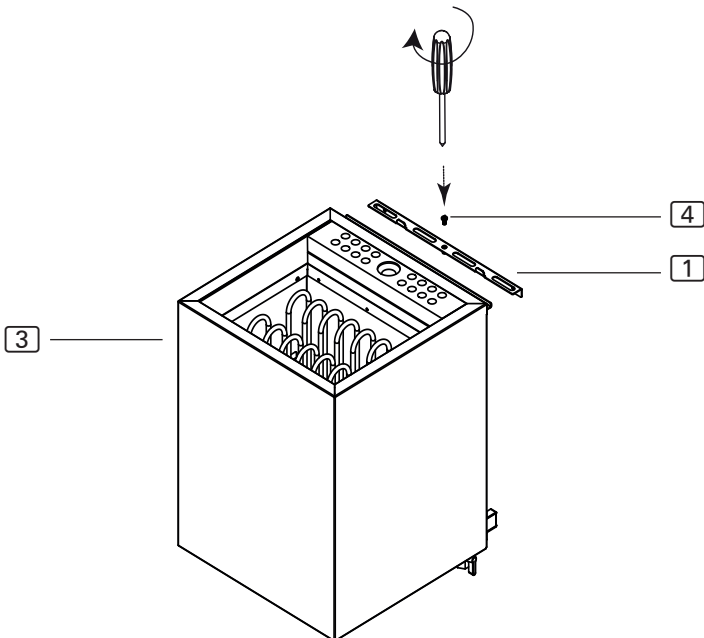
afb. 2 Montagelijst Home combi
Afmetingen in mm



afb. 3 Positie van de montagelijst Home combi
Afmetingen in mm

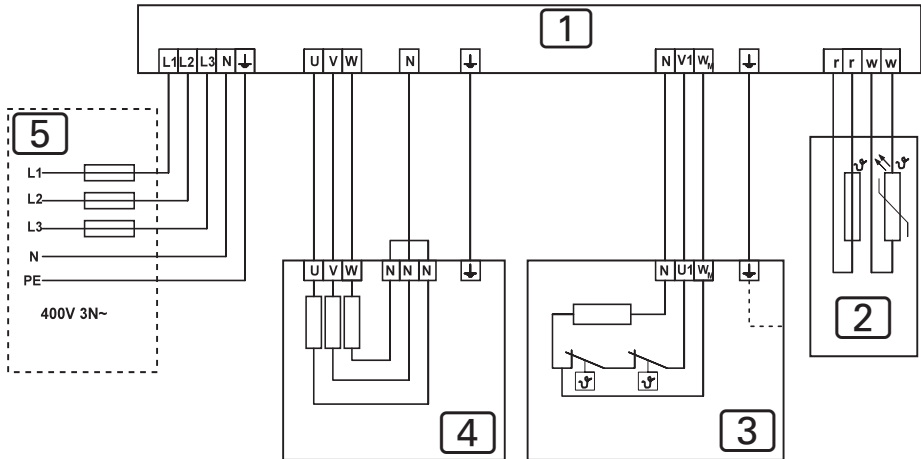


afb. 4 Borging Home combi (montagelijst)



4.4. Aansluitschema voor 400 V 3 N~

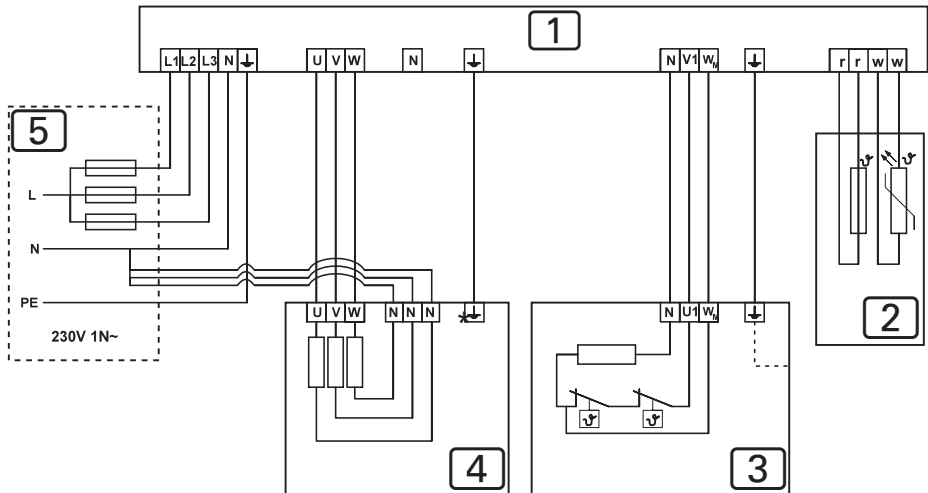
afb. 5 Aansluitschema 400 V 3 N~
Home combi 6,0 kW en 9,0 kW
(HOME-C60 / HOME-C90)



- 1 Saunabesturing
- 2 Temperatuurvoeler met oververhittingsbeveiliging
- 3 Verdamer 2,0 kW
- 4 Verwarmingssysteem 6,0 kW of 9,0 kW
- 5 Stroomvoorziening

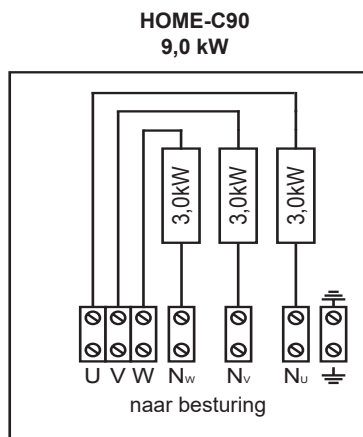
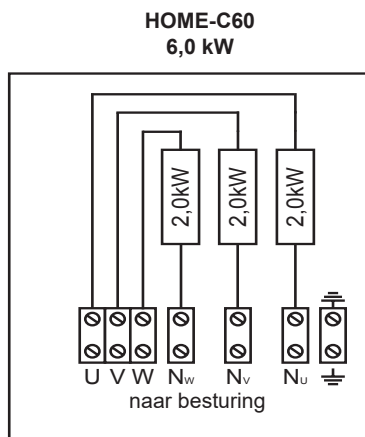
4.5. Aansluitschema voor 230 V 1 N~

afb. 6 Aansluitschema 230 V 1 N~
Home combi 6,0 kW en 9,0 kW
(HOME-C60 / HOME-C90)



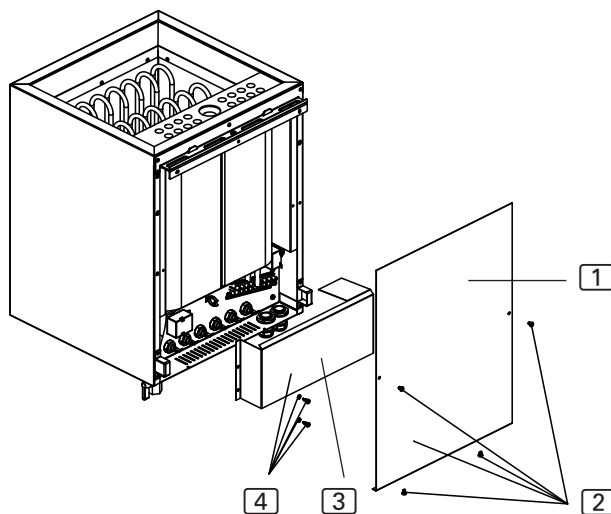
- 1 Saunabesturing
 - 2 Temperatuurvoeler met oververhittingsbeveiliging
 - 3 Verdamp(er) 2,0 kW
 - 4 Verwarmingssysteem 6,0 kW of 9,0 kW
 - 5 Stroomvoorziening
- * Koperbrug verwijderen

4.6. Bedradingschema's



4.7. Elektrische aansluiting

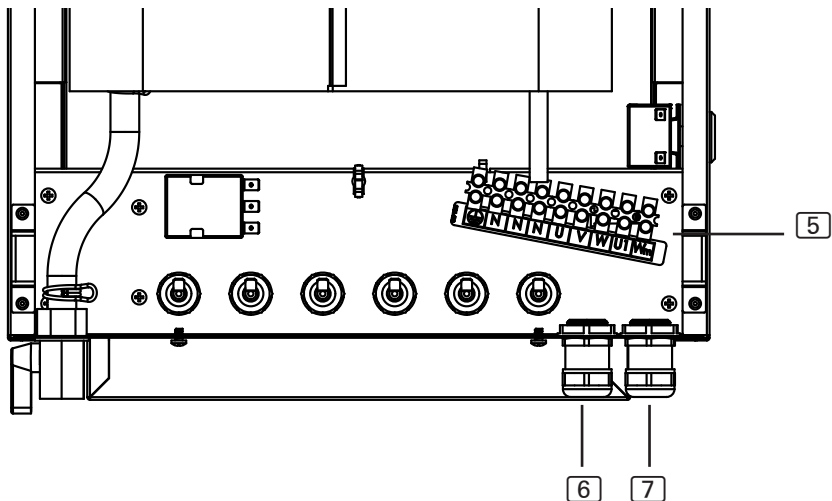
1. Draai de schroeven los met een schroevendraaier.
2. Verwijder afdekplaat .
3. Draai de schroeven los met een schroevendraaier.
4. Verwijder afdekplaat .



Aansluiting Home combi 6,0 kW en 9,0 kW

(HOME-C60 / HOME-C90)

1. Leid de aansluitkabel voor het verwarmingssysteem door de doorvoering **6**.
2. Sluit afhankelijk van het soort aansluiting de aders van de aansluitkabel aan op de passende klemmen van de aansluitlijst **5** en op de passende klemmen van de saunabesturing. Neem hierbij de montagehandleiding van de saunabesturing en de aansluitschema's op pagina 12 en 13 in acht.
1. Leid de aansluitkabel voor de verdamper door de doorvoering **7**.
2. Sluit de aders van de verdamperkabel aan op de klemmen PE – N – U1 – Wm van de aansluitlijst **5** en op de passende klemmen van de saunabesturing. Neem hierbij de montagehandleiding van de saunabesturing en de aansluitschema's op pagina 12 en 13 in acht.
3. Bevestig de afdekplaten **3** en **1** weer op de saunakachel.



- 5** Aansluitlijst voor het verwarmingssysteem en de verdamper
- 6** Doorvoering voor de aansluitkabel van het verwarmingssysteem
- 7** Doorvoering voor de verdamperkabel

5. Inbedrijfstelling

5.1. Steenhouder vullen



WAARSCHUWING!

Brandgevaar door oververhitting

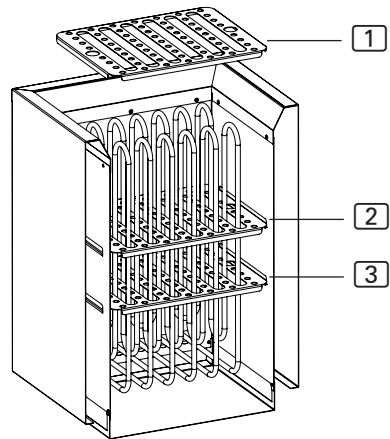
Als de saunakachel zonder saunastenen wordt gebruikt, worden de cabinewanden zeer heet. Hierdoor kan brand ontstaan.

- Gebruik de saunakachel **NOOIT** zonder saunastenen.

Het steenrooster **1** kan op twee verschillende hoogtes worden gemonteerd.

Positie **2**: minder stenen, kortere verwarmingstijden, energiebesparing

Positie **3** (positie af fabriek): meer stenen, grotere hoeveelheid water bij het opgieten mogelijk - dus meer stoom, langere verwarmingstijden



De voor uw kachel geschikte hoeveelheid stenen vindt u in hoofdstuk **Technische gegevens** (zie pagina 25).

1. Borstel de saunastenen voor gebruik grondig met water. Gebruik geen reinigingsmiddelen.
2. Controleer de stenen voor vullen in de saunakachel op vreemde deeltjes en verwijder verpakkingsresten.
3. Plaats de stenen in de steenhouder - ook tussen de verwarmingselementen. Arrangeer de saunastenen los ten opzichte van elkaar, zodat nog lucht tussen de tussenruimtes kan doorstromen.
4. **Let erop dat de verwarmingselementen elkaar NIET wederzijds raken.**
5. De saunastenen mogen niet over de rand van de steenhouder uitkomen.

5.2. Eerste keer verwarmen



VOORZICHTIG!

Rook- en geurvorming bij de eerste keer verwarmen

Op nieuwe verwarmingsstaven bevinden zich bedrijfsstoffen van het productieproces. Deze verdwijnen bij de eerste keer verwarmen van de saunakachel. Hierbij ontstaan rook en een onaangename geur. Als u deze dampen of de rook inademt, is dit schadelijk voor uw gezondheid.

ATTENTIE!

De oververhittingsbeveiliging van het apparaat kan ook afgaan bij temperaturen onder $-5\text{ °C}/23\text{ °F}$ (opslag, transport, omgeving). Breng het apparaat vóór de installatie naar een warme omgeving. De oververhittingsbeveiliging kan worden gereset als de temperatuur van het apparaat ca. $18\text{ °C}/64\text{ °F}$ bedraagt. De oververhittingsbeveiliging moet worden gereset voordat u het apparaat gebruikt.

Voer de volgende stappen uit, als u uw saunakachel **de eerste keer in bedrijf neemt** en nadat de **verwarmingsstaven van uw saunakachel vervangen** werden. Zo voorkomt u schade aan uw gezondheid door dampen en rook die ontstaan bij de eerste keer verwarmen.

1. Verwarmingsstaven de eerste keer verwarmen
 - a. Kies op de saunabediening de hoogst mogelijke temperatuur.
 - b. Verwarm de saunakachel gedurende een half uur.
Betreed gedurende deze tijd de saunacabine NIET.
2. Verdampers de eerste keer verwarmen
 - a. Selecteer op de saunabesturing een lage temperatuur en een hoge luchtvochtigheid.
 - b. Verwarm de verdampers met halve waterhoeveelheid (zie pagina **Verdampers vullen** op pagina **20**)
Betreed gedurende deze tijd de saunacabine NIET.
 - c. Na ca. 15 minuten schakelt u de saunabesturing uit.
 - d. Laat de verdampers afkoelen (ca. een half uur).
 - e. Leeg de watertank (zie **Verdampers vullen** op pagina **20**)
 - f. Herhaal punt 2.b.
 - g. Ventileer de saunacabine na de eerste keer verwarmen goed.
 - h. Als bij de volgende keer verwarmen geen rook en geuren meer ontstaan, kunt u met het eerste saunabad beginnen.
Als opnieuw rook en geuren ontstaan, de saunacabine onmiddellijk verlaten en de eerste keer verwarmen en aansluitend luchten herhalen.

6. Bediening



WAARSCHUWING!

Brandgevaar

Brandbare voorwerpen die op de hete saunakachel liggen kunnen ontvlammen en brand veroorzaken.

- Leg **NOOIT** brandbare voorwerpen op de saunakachel.
 - Controleer of **GEEN** brandbare voorwerpen op de saunakachel liggen, alvorens de saunakachel in te schakelen.
-

6.1. Saunakachel bedienen

De saunakachel wordt bediend met een saunabesturing. Voor informatie over de bediening van saunabesturing leest u de bedieningshandleiding van het gebruikte apparaat. Let op dat de saunakachel Home combi alleen geschikt is voor saunabesturingen zonder startfunctie op afstand.

6.2. Finse sauna

Bij een Finse sauna is alleen het verwarmingssysteem in bedrijf. Er is droge warmte beschikbaar. De temperatuur in de cabine is hoog (80 tot 100 °C). De vochtigheidswaarden bedragen maximaal slechts 10%. De temperatuur in de saunacabine wordt door uw saunabesturing geregeld.

Aan het einde van de saunagang kunt u opgieten. Giet dan water met een saunalepel over de saunastenen. Hierdoor verdampt water en wordt de luchtvochtigheid in de saunacabine verhoogd.

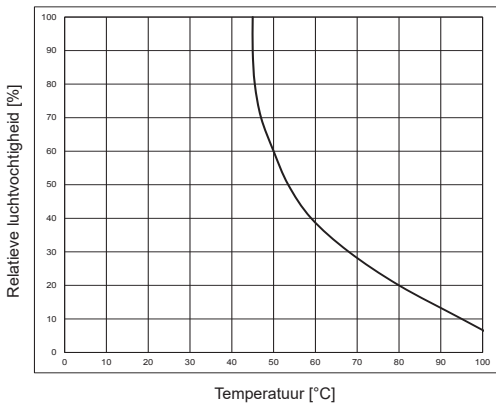
Neem voor opgieten de volgende punten in acht:

- Gebruik voor opgieten alleen leidingwater. Zeewater, sterk kalkhoudend water en chloorwater kunnen de saunakachel beschadigen.
- Gebruik alleen geurstoffen en etherische oliën die uitdrukkelijk voor gebruik als opgietmiddel in sauna's geschikt zijn. Neem de fabrikantgegevens op de verpakking van het opgietmiddel in acht.
- Giet niet te snel water over de saunastenen. Alleen dan verdampt het opgietwater volledig.

6.3. Combibedrijf

In combibedrijf zijn het verwarmingssysteem en de verdamper beide in bedrijf. De temperatuur in de saunacabine is lager dan bij gebruik als Finse sauna (ca. 40 tot 65 °C), maar de relatieve luchtvochtigheid is met 35% tot ongeveer 70% wel aanzienlijk hoger. De maximaal toegestane luchtvochtigheid daalt met stijgende temperatuur. De temperatuur en luchtvochtigheid in de saunacabine worden door uw saunabesturing geregeld.

afb. 7 Grafiek temperatuur/relatieve luchtvochtigheid (conform EN60335-2-53)



Er zijn alleen instellingen links onder de curve mogelijk. Bijvoorbeeld: bij 60% kan een temperatuur van 50 °C niet worden overschreden.

Het verdamperreservoir moet handmatig worden gevuld. Als de watervoorraad in het verdamperreservoir verbruikt is, schakelt een oververhittingsbeveiliging de verwarming van de verdamper automatisch uit. Het watertekort wordt aan de saunabesturing gemeld en daar weergegeven, bijvoorbeeld door een akoestische waarschuwingstoon en de melding „FILL”.

NL

ATTENTIE!

Beschadiging van de verdamper

Zeewater, sterk kalkhoudend water en chloorwater, kruiden, essenties of geurstoffen kunnen de saunakachel beschadigen.

- Vul het verdamperreservoir alleen met leidingwater.
- Doe kruiden, essenties of geurstoffen niet direct in het verdamperreservoir, maar in de keramische schaal boven de verdamper.
- Ontkalk de verdamper regelmatig (zie **7.5 op pagina 23**).

Verdamper vullen**VOORZICHTIG!****Verbrandingsgevaar**

Als u water in het hete verdamperreservoir giet, ontstaat hete damp.

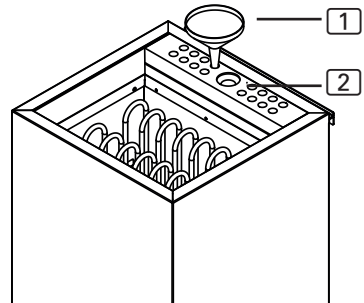
- Giet **NOOIT** water in het hete verdamperreservoir.
- Controleer en vul het verdamperreservoir elke keer voor starten van combibedrijf.
- Als de oververhittingsbeveiliging de verwarming van de verdamper heeft uitgeschakeld of uw saunabesturing een watertekort meldt, laat de verdamper dan afkoelen **VOORDAT** u water in het verdamperreservoir giet.

**VOORZICHTIG!****Verbrandingsgevaar**

Als het verdamperreservoir te vol is, spuit kokend water uit het verdamperreservoir.

- Vul het verdamperreservoir met 5 liter water.

1. Gebruik een trechter **1** of verwijder de speksteen **2**.
2. Vul het verdamperreservoir alleen met vers leidingwater. Hiervoor is ongeveer 5 liter nodig. Met deze waterhoeveelheid kan de verdamper ongeveer 1 uur worden bedreven.
3. Verwijder de trechter **1** of plaats de speksteen weer.



Gebruik van geurstoffen

Indien gewenst, kunt u vloeibare geurstoffen of gedroogde kruiden op de speksteen doen. Neem hierbij volgende punten in acht:

- Plaats geurstoffen niet direct in het verdamperreservoir.
- Vul de uitsparing in de speksteen voorzichtig en slechts voor de helft zodat de geurstoffen niet door de gaten in het verdamperreservoir druppelen.
- Neem de fabrikantgegevens op de verpakking van de kruiden en geurstoffen in acht.
- Reinig de speksteen regelmatig onder stromend water.

7. Onderhoud

7.1. Langere bedrijfspauzes

In vochtige omgevingen of bij lange bedrijfspauzes verzamelt zich vocht in de verwarmingsstaven. Dit is een fysisch proces en geen fout van de fabrikant. Het vocht in de verwarmingsstaven kan leiden tot het activeren van de aardlekschakelaar. Raadpleeg in dit geval een elektricien om de storing te verhelpen (zie hoofdstuk **9. Oplossen van problemen door de monteur** op pagina **24**).



Verwarm de saunakachel elke 5 tot 6 weken gedurende ca. 15 minuten. Zo voorkomt u dat zich na langere bedrijfspauzes water in de verwarmingsstaven verzamelt.

7.2. Saunakachel reinigen

De ventilatieopeningen moeten vrij zijn van pluizen en stof. Zo wordt voorkomen dat de luchtcirculatie in de saunakachel wordt gereduceerd en het apparaat oververhit raakt.

7.3. Saunastenen wisselen

Opgietmiddel en grote temperatuurverschillen tijdens gebruik zijn van invloed op saunastenen. De saunastenen kunnen worden aangetast en breekbaar worden.



WAARSCHUWING!

Brandgevaar door oververhitting

Als de saunakachel zonder saunastenen wordt gebruikt, worden de cabinewanden zeer heet. Hierdoor kan brand ontstaan.

- Gebruik de saunakachel **NOOIT** zonder saunastenen.
-

Controleer de saunastenen regelmatig en vervang de stenen jaarlijks.

1. Verwijder de oude saunastenen.
2. Verwijder kalkresten, stof en andere verontreinigingen van de steenhouder.
3. Borstel de saunastenen voor gebruik grondig met water. Gebruik geen reinigingsmiddelen.
4. Controleer de stenen voor vullen in de saunakachel op vreemde deeltjes en verwijder verpakkingsresten.
5. Plaats de saunastenen in de steenhouder. Arrangeer de saunastenen los ten opzichte van elkaar, zodat nog lucht tussen de tussenruimtes kan doorstromen.
6. De saunastenen mogen niet over de rand van de steenhouder uitkomen.

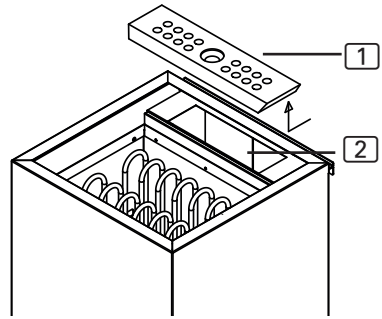
7.4. Verdampreservoir reinigen

Leeg en reinig het verdampreservoir na elk gebruik. Voer hiervoor volgende stappen uit:

1. Wacht tot het water in de verdamper is afgekoeld.
2. Stel een opvangreservoir (minstens 5 liter) onder de kogelkraan van de verdamperbodem.
3. Open de kogelkraan naar links tot het restwater wegstroomt.
4. Als het verdampreservoir leeg is, de kogelkraan sluiten.
5. Verwijder de speksteen.
6. Reinig het verdampreservoir met een borstel met kunststof haren. Voorkom beschadiging van de leidingen van de tanksensoren. Spoel na met water.
7. Plaats de speksteen weer.

7.5. Verdampersreservoir ontkalken

Ontkalk het verdampersreservoir indien nodig. Gebruik hiervoor een ontkalkingsmiddel voor huishoudelijke apparaten. Neem daarbij de instructies en de veiligheidsaanwijzingen van de fabrikant in acht.



1. Verwijder de speksteen.
2. Leeg het verdampersreservoir.
3. Maak de ontkalkingsoplossing volgens fabrikantinstructies.
4. Vul de verdampersreservoir tot de kalkrand met de ontkalkingsoplossing.
5. Laat het ontkalkingsmiddel inwerken volgens de gegevens van de fabrikant.
6. Stel een opvangreservoir onder de kogelkraan van de verdampersbodem en leeg het verdampersreservoir.
7. Spoel het verdampersreservoir 2 keer met koud leidingwater.

8. Afvoer



- Voer het verpakkingsmateriaal af volgens de geldende afvoer-richtlijnen.
- Oude apparaten bevatten opnieuw bruikbare materialen maar ook schadelijke stoffen. Deponeer uw oude apparaat daarom in geen geval bij het gewone afval, maar voer het apparaat af volgens de plaatselijk geldende voorschriften.

9. Oplossen van problemen door de monteur

Verwarmingsstaven verwarmen

Vochtige omgevingsomstandigheden of lange bedrijfspauzes kunnen leiden tot achterblijven van vocht in de verwarmingsstaven. Dit is een fysisch proces en geen fout van de fabrikant. Het vocht in de verwarmingsstaven kan eventueel leiden tot het activeren van de aardlekschakelaar.

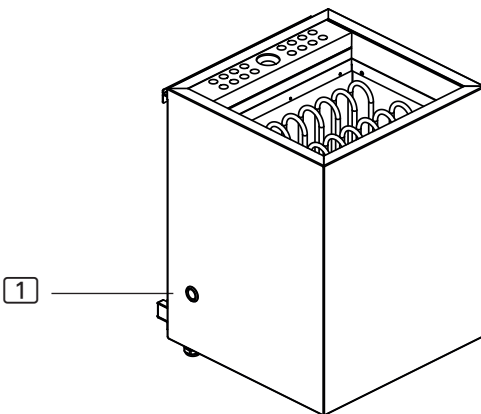
In dit geval moet de saunakachel onder toezicht van een elektricien worden gedroogd door verwarmen. Daarom moet de zekeringfunctie van de aardlekschakelaar buiten werking worden gesteld. Drogen door verwarmen duurt ongeveer 10 minuten. Daarna moet de zekeringfunctie van de aardlekschakelaar weer worden hersteld.

Als het probleem verder bestaat, raadpleeg dan uw leverancier.

Oververhittingsbeveiliging van verdamper terugzetten

Een temperatuurschakelaar dient als watertekortdetector. Als een bepaald waterpeil in het verdamperreservoir wordt overschreden (ca. 1l), schakelt deze temperatuurschakelaar de verwarmingsstaaf uit. Gelijktijdig daalt de terugkoppeling naar het besturingsapparaat WM tot 0 V - op het besturingsapparaat wordt „Watertekort” aangegeven.

Voor het geval dat de verdamper toch oververhit raakt, dient een thermische beveiliging als oververhittingsbeveiliging. Deze beveiliging moet handmatig worden teruggezet. Druk hiervoor op het contact in de linker zijwand **1**.

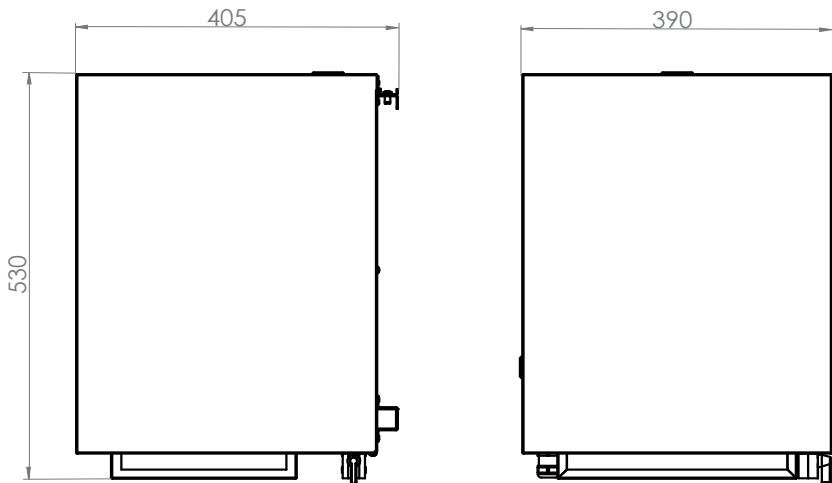


10. Technische gegevens

Artikel-nummer	Vermogen [kW]	Vermogen verdampers [kW]	Cabine-volume [m ³]	Steenhoeveelheid [kg]	Gewicht zonder stenen [kg]
HOME-C60	6,0	2,0	5 - 9	ca. 20 / 30	17
HOME-C90	9,0	2,0	8 - 14	ca. 20 / 30	17

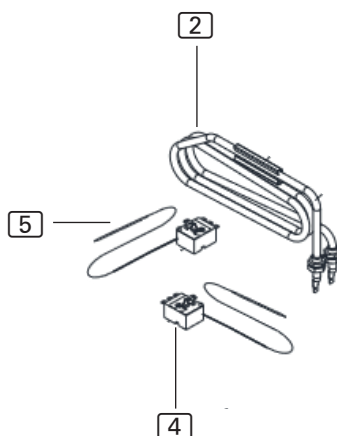
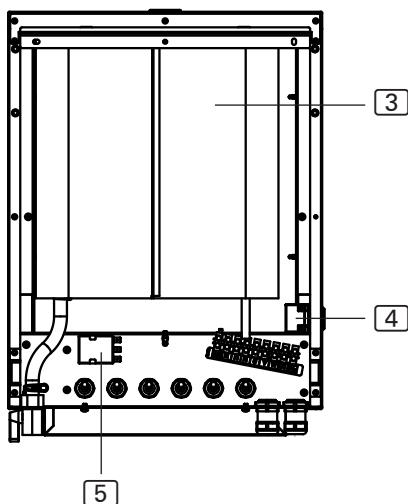
Artikel-nummer	Minimumgrootte ventilatieopening [mm]	Zekering [A]	Voeding
HOME-C60	350 x 35	3 x 10	400 V AC 3N~ 50/60 Hz 230 V AC 1N~ 50/60 Hz
HOME-C90	350 x 50	3 x 16	400 V AC 3N~ 50/60 Hz 230 V AC 1N~ 50/60 Hz

afb. 8 Afmetingen Home combi 6,0 kW en 9,0 kW (HOME-C60 / HOME-C90)
Afmetingen in mm



11. Reserveonderdelen

Nr.	Benaming	Artikelnummers	Aantal
1	Verwarmingselementen 2000 W	HP-HOME-200 (1-043-618)	3
1	Verwarmingselementen 3000 W	HP-HOME-300 (1-043-620)	3
2	Verwarmingselement Verdamper 2000 W	VZH-104(1-047-023)	1
3	Verdampereenheid compleet	WX671 (1-051-000)	1
4	Oververhittingsbeveiliging 140 °C	ZSK-764 (1-046-109)	1
5	Thermostaat 110 °C	ZSN-250 (1-046-108)	1



Saunová kamna

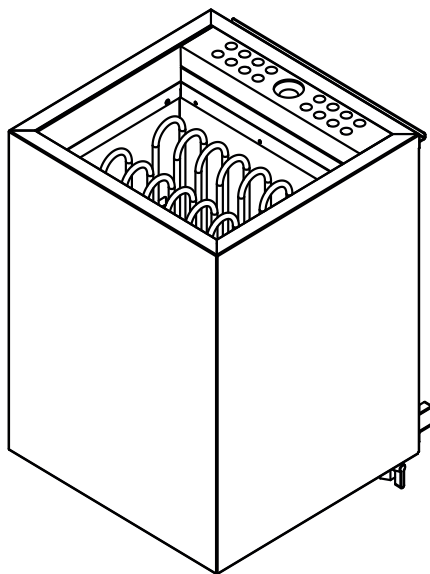
Home combi

HOME-C60 / 1-050-408: Home combi 6,0 kW

HOME-C90 / 1-050-411: Home combi 9,0 kW

NÁVOD K MONTÁŽI A POUŽITÍ

Česky



CS

Obsah

1. O tomto návodu	4
2. Důležité pokyny pro vaši bezpečnost	5
2.1. Použití v souladu s určením	5
2.2. Bezpečnostní informace pro montéra	6
2.3. Bezpečnostní informace pro uživatele	7
3. Popis výrobku	8
3.1. Rozsah dodávky	8
3.2. Příslušenství	8
3.3. Funkce výrobku	8
4. Montáž a připojení	8
4.1. Místo instalace a poloha čidla	9
4.2. Bezpečnostní vzdálenosti	9
4.3. Montáž ke stěně kabiny	10
4.4. Schéma zapojení pro 400 V 3 N~	12
4.5. Schéma zapojení pro 230 V 1 N~	13
4.6. Schémata zapojení	14
4.7. Elektrické připojení	14
5. Uvedení do provozu	16
5.1. Plnění nádoby na kameny	16
5.2. První nahřívání	17
6. Obsluha	18
6.1. Obsluha saunových kamen	18
6.2. Režim finské sauny	18
6.3. Kombinovaný provoz	19

7. Údržba	21
7.1. Delší přestávky v provozu.....	21
7.2. Čistění saunových kamen.....	21
7.3. Výměna saunových kamenů.....	22
7.4. Čištění nádoby odpařovače.....	22
7.5. Odstranění vodního kamene z nádoby odpařovače.....	23
8. Likvidace	23
9. Řešení problémů montérem	24
10. Technické údaje	25
11. Náhradní díly	26

1. O tomto návodu

Tento návod k montáži a použití si důkladně přečtěte a uložte ho v blízkosti sauny. Tak si můžete vždy dodatečně přečíst informace o bezpečnosti a obsluze.



Tento návod k montáži a použití naleznete také v sekci ke stažení na našem webu na adrese www.sentiotec.com/downloads.

Symboly ve výstražných pokynech

V tomto návodu k montáži a použití je text o činnostech, z nichž vyplývá určité riziko, uvozen výstražným pokynem. Tyto výstražné pokyny bezpodmínečně dodržujte. Zabráníte tak věcným škodám a poraněním, která mohou být v nejhorším případě dokonce smrtelná.

Ve výstražných pokynech jsou použita signální slova, která mají následující význam:



NEBEZPEČÍ!

Pokud tento výstražný pokyn nebude dodržen, bude to mít za následek smrt nebo vážná zranění.



VÝSTRAHA!

Pokud tento výstražný pokyn nebude dodržen, může to mít za následek smrt nebo vážná zranění.



UPOZORNĚNÍ!

Pokud tento výstražný pokyn nebude dodržen, může to mít za následek lehká zranění.

POZOR!

Tento signální symbol upozorňuje na věcné škody.

Jiné symboly



Tento symbol označuje tipy a užitečné pokyny.



Nezakrývat!



Pročtěte si návod k obsluze

2. Důležité pokyny pro vaši bezpečnost

Saunová kamna Home combi byla vyrobena podle uznávaných bezpečnostně-technických pravidel. Při jejich používání však mohou přesto vznikat určitá rizika. Dodržujte proto následující bezpečnostní pokyny a zvláštní výstražné pokyny uvedené v jednotlivých kapitolách.

2.1. Použití v souladu s určením

Home combi jsou saunová kamna se zabudovaným odpařovačem. Kamna Home combi se smí používat pouze k vytápění saunových kabin a ke zvýšení vlhkosti vzduchu v saunové kabině. Saunová kamna Home combi se smí používat pouze v kombinaci s řídicí jednotkou sauny bez funkce dálkového zapínání.

Saunová kamna Home combi lze provozovat pouze v kombinaci s volitelně dostupným bezpečnostním vypnutím a také s řídicí jednotkou sauny, která je vybavena funkcí dálkového zapínání.

Saunová kamna Home combi lze provozovat také ve veřejných saunách pouze v kombinaci s volitelně dostupným bezpečnostním vypnutím.

Jakékoli jiné použití nad tento rámec se považuje za použití v rozporu s určením. Použití v rozporu s určením může vést k poškození výrobku, vážným zraněním nebo smrti.

2.2. Bezpečnostní informace pro montéra

- Montáž a připojení saunových kamen se smí provádět pouze ve stavu odpojení od napětí.
- Montáž smí provádět pouze kvalifikovaný elektrikář nebo jiná, srovnatelným způsobem kvalifikovaná osoba.
- V místě instalace musí být instalován odpojovač s odpojením všech pólů s úplným vypnutím v souladu s přepětovou kategorií III.
- K připojení saunových kamen používejte výlučně silikonová vedení odolná vůči teplotě do 150 °C.
- V kabině instalujte pouze jedna saunová kamna. Saunová kamna Home combi je zakázáno používat v saunové kabině společně s jinými saunovými kamny.
- Stropy a stěny saunové kabiny smí být vyrobeny z neopracovaných nebo tepelně opracovaných druhů dřeva s nízkým obsahem pryskyřice, např. severský smrk, jedlovec, borovice nebo jedle, nebo z vrstvených dřevěných materiálů. Při použití vrstvených dřevěných materiálů je nutné dbát na to, aby jejich lepidla neobsahovala formaldehyd. Pokud budou v saunové kabině použity jiné materiály než dřevo, musí být odolné vůči teple a korozi a nesmí mít žádné negativní účinky na zdraví osob v sauně.
- Výška saunové kabiny musí činit nejméně 1,9 m.
- Dodržujte požadavky na objem a větrání saunové kabiny uvedené v kapitole **10. Technické údaje** na straně **25**.
- Při instalaci saunové kabiny dodržujte minimální bezpečnostní vzdálenosti (viz kapitola **4.2. Bezpečnostní vzdálenosti**).
- Dodržujte také místní předpisy v místě instalace.
- V případě problémů, které nejsou dostatečně podrobně řešeny v návodu k montáži, se v zájmu vlastní bezpečnosti obraťte na svého dodavatele.

2.3. Bezpečnostní informace pro uživatele

- Zařízení nesmí používat děti do 8 let věku.
- Zařízení smí používat děti ve věku nad 8 let, osoby s omezenými fyzickými, smyslovými nebo duševními schopnostmi a osoby s nedostatečnými zkušenostmi a znalosti za následujících podmínek:
 - pokud jsou pod dozorem.
 - pokud jim bylo správné používání předvedeno a rozumějí rizikům, která mohou vzniknout.
- Děti si se zařízením nesmí hrát.
- Děti mladší 14 let smí zařízení čistit, pouze pokud jsou pod dozorem.
- Saunování není ze zdravotních důvodů vhodné pro osoby pod vlivem alkoholu, léků nebo drog.
- Saunová kamna nikdy neuvádějte do provozu bez saunových kamenů, mohlo by to způsobit požár.
- Před zapnutím řídicí jednotky sauny se ujistěte, že na saunových kamnech neleží žádné hořlavé předměty.
- PŘED prvním saunováním saunová kamna na půl hodiny roze-hřejte. Během této doby se NEZDRŽUJTE v saunové kabině. Následně saunovou kabinu dobře vyvětrejte (viz **5.2. První nahřívání** na straně 17).
- Saunových kamen se během provozu nedotýkejte. Povrch saunových kamen a saunové kameny se zahřívají na vysoké teploty.
- V případě problémů, které nejsou dostatečně podrobně řešeny v návodu k použití, se v zájmu vlastní bezpečnosti obraťte na svého dodavatele.

3. Popis výrobku

3.1. Rozsah dodávky

- Saunová kamna
- Návod k montáži a použití

3.2. Příslušenství

<i>Příslušenství</i>	<i>Číslo položky</i>
Kolébkový vypínač	SFE-350400 / 1-045-583

3.3. Funkce výrobku

- **Režim finské sauny:** obvykle 80 až 100 °C; cca 10 % rel. vlhkosti vzduchu
- **Kombinovaný provoz** (pouze v kombinaci s kombinovanou řídicí jednotkou): ca. 40 až 65 °C, 35 % až cca 70 % vlhkost vzduchu. Maximálně přípustná vlhkost vzduchu klesá se stoupající teplotou.

4. Montáž a připojení

Při instalaci a připojení saunových kamen zohledněte následující body:



VÝSTRAHA!

Nebezpečí úrazu elektrickým proudem

- Montáž a připojení saunových kamen provádějte pouze ve stavu bez napětí.
- Elektrické připojení smí provádět pouze kvalifikovaný elektrikář nebo srovnatelným způsobem kvalifikovaná osoba.
- V místě instalace musí být instalován odpojovač s odpojením všech pólů s úplným vypnutím v souladu s přepěťovou kategorií III.
- Saunová kamna Home combi jsou konstruována jako nástěnná. Před použitím musíte zkontrolovat pevné upevnění kamen k montážní liště.

4.1. Místo instalace a poloha čidla

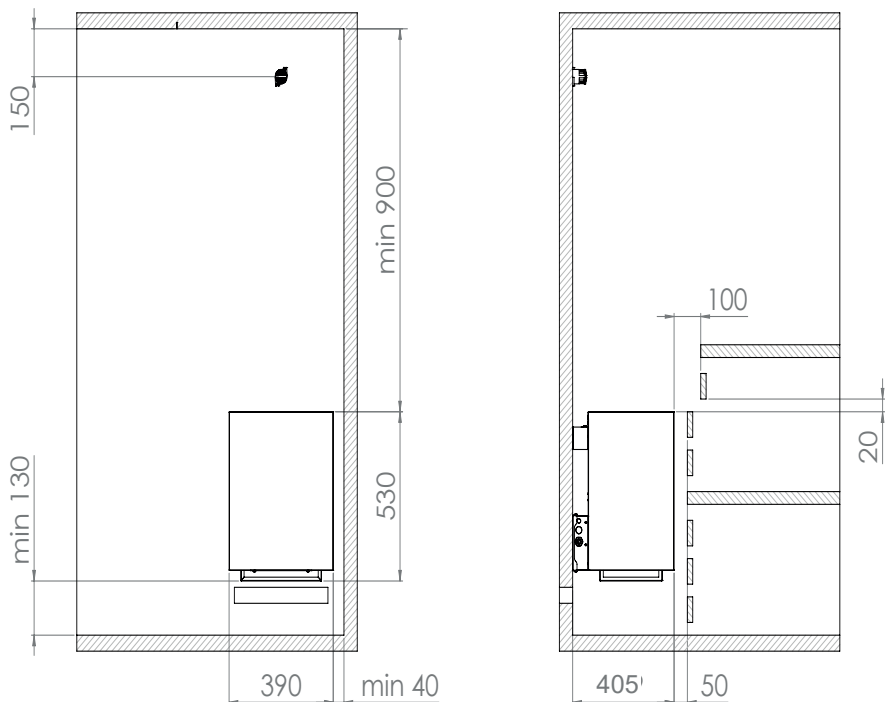
Kamna namontujte doprostřed před vstupní otvor vzduchu ve stěně kabiny. Přitom dodržujte bezpečnostní vzdálenosti od stěny kabiny uvedené na **Obr. 1**.

Teplotní čidlo s pojistkou proti přehřátí namontujte na stěnu kabiny nad středem saunových kamen. Dodržujte vzdálenost od stropu kabiny 15 cm. Respektujte údaje v návodu k montáži řízení sauny.

4.2. Bezpečnostní vzdálenosti

Dodržujte minimální bezpečnostní vzdálenosti uvedené na **Obr. 1**.

Obr. 1 Bezpečnostní vzdálenosti
Home combi 6,0 kW a 9,0 kW
(HOME-C60 / HOME-C90)
Rozměry v mm



4.3. Montáž ke stěně kabiny

Pracujte podle **obr. 1**, **obr. 2**, **obr. 3** a **obr. 4** (strana 9, 10, 11).

1. Upevněte montážní lištu **[1]** vodorovně ke stěně dodanými vruty **[2]**.
Dodržujte přitom minimální vzdálenosti kamen podle obr. 1.
2. Zavěste kamna **[3]** shora dolů na montážní lištu.
Kamna musí správně dosedat.
3. Zajistěte kamna **[3]** dodaným pojistným šroubem **[4]** k montážní liště **[1]**.



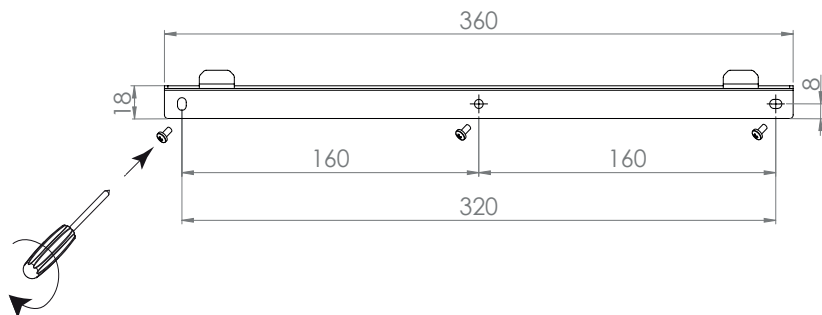
VÝSTRAHA!

Riziko požáru

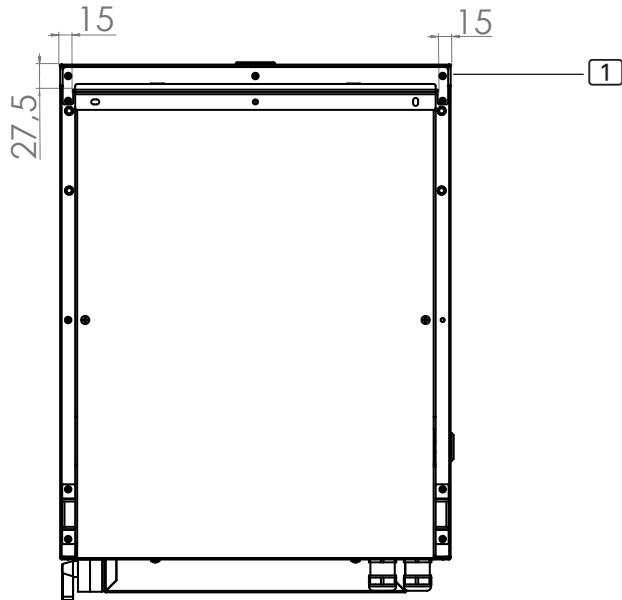
- K upevnění kamen a jejich zajištění proti nechtěnému pohybu upevněte kamna dodaným pojistným šroubem **[4]**.

Obr. 2 Montážní lišta Home combi

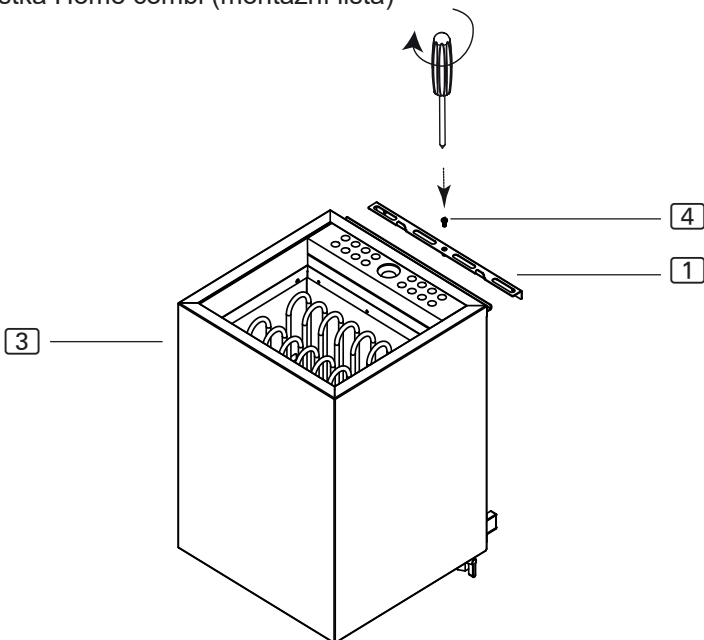
Rozměry v mm



Obr. 3 Umístění montážní lišty Home combi
Rozměry v mm

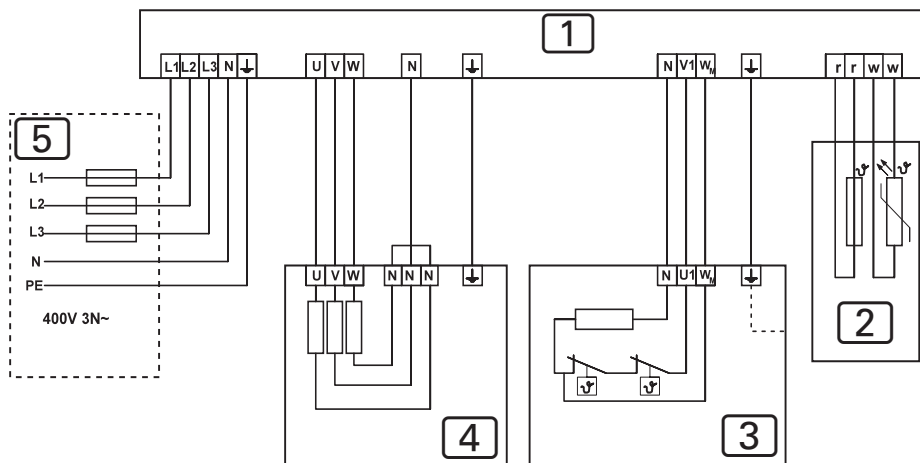


Obr. 4 Pojistka Home combi (montážní lišta)



4.4. Schéma zapojení pro 400 V 3 N~

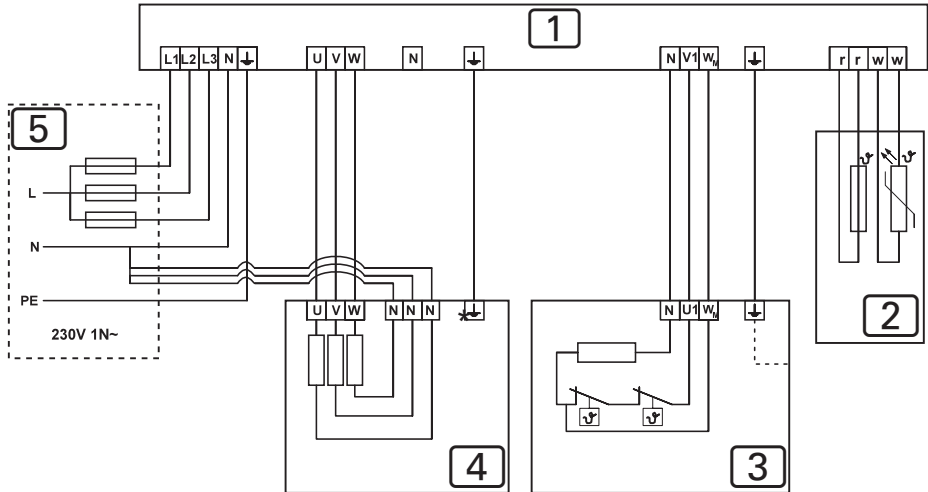
Obr. 5 Schéma zapojení 400 V 3~
Home combi 6,0 kW a 9,0 kW
(HOME-C60 / HOME-C90)



- 1 Řídicí jednotka sauny
- 2 Čidlo teploty s pojistkou proti přehřátí
- 3 Odpařovač 2,0 kW
- 4 Topný systém 6,0 kW nebo 9,0 kW
- 5 Napájecí zdroj

4.5. Schéma zapojení pro 230 V 1 N~

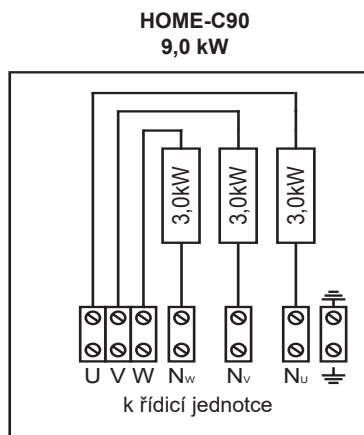
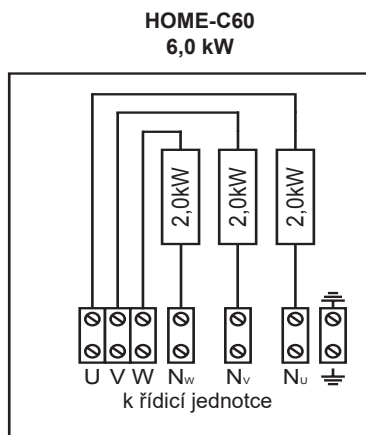
Obr. 6 Schéma zapojení 230 V 3~
Home combi 6,0 kW a 9,0 kW
(HOME-C60 / HOME-C90)



- 1 Řídicí jednotka sauny
- 2 Čidlo teploty s pojistkou proti přehřátí
- 3 Odpařovač 2,0 kW
- 4 Topný systém 6,0 kW nebo 9,0 kW
- 5 Napájecí zdroj

* Odstraňte měděný můstek

4.6. Schémata zapojení



4.7. Elektrické připojení

1. Povolte šroubovákem šrouby [2].
2. Sejměte krycí plech [1].
3. Povolte šroubovákem šrouby [4].
4. Sejměte krycí plech [3].

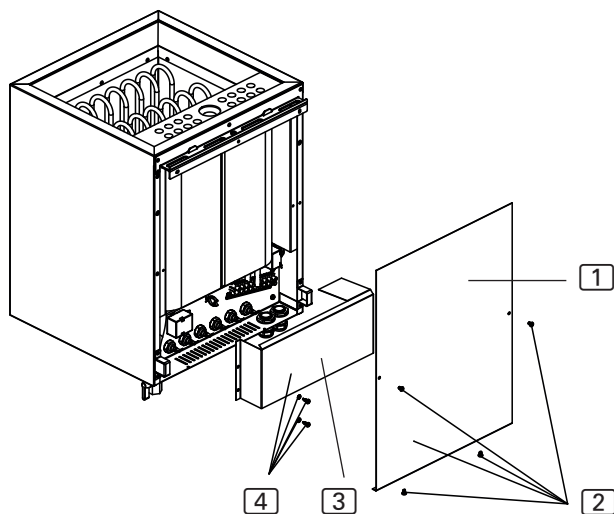
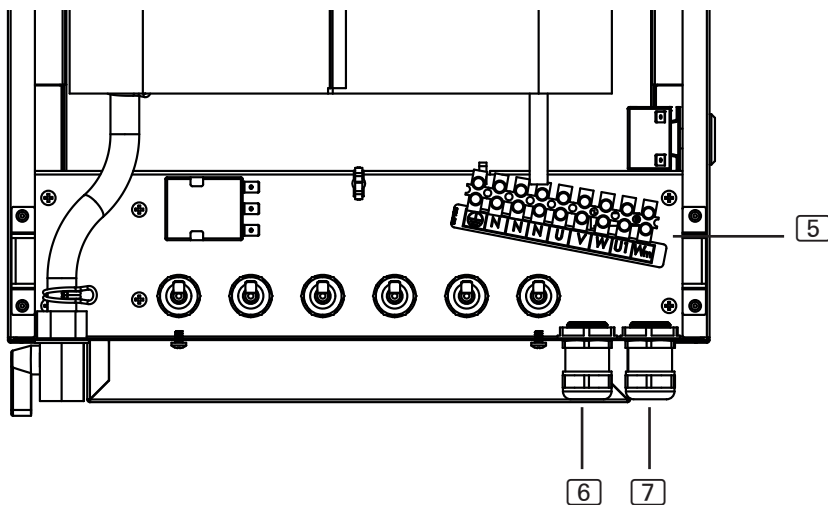


Schéma zapojení Home combi 6,0 kW a 9,0 kW

(HOME-C60 / HOME-C90)

1. Připojovací kabel topného systému provlečte průchodkou [6].
2. Připojte vodiče připojovacího kabelu podle druhu připojení k odpovídajícím svorkám svorkovnice [5] a k příslušným svorkám řídicí jednotky sauny. Přitom dodržte návod k montáži řídicí jednotky sauny a schémata zapojení na straně 12 a 13.
1. Připojovací kabel odpařovače provlečte průchodkou [7].
2. Vodiče kabelu odpařovače připojte ke svorkám PE – N – U1 – Wm na připojovací svorkovnici [5] a k odpovídajícím svorkám řídicí jednotky sauny. Přitom dodržte návod k montáži řídicí jednotky sauny a schémata zapojení na straně 12 a 13.
3. Na saunová kamna opět upevněte krycí plechy [3] a [1].



- [5] Připojovací svorkovnice topného systému a odpařovače
- [6] Průchodka na připojovací kabel topného systému
- [7] Průchodka kabelu odpařovače

5. Uvedení do provozu

5.1. Plnění nádoby na kameny



VÝSTRAHA!

Riziko požáru přehřátím

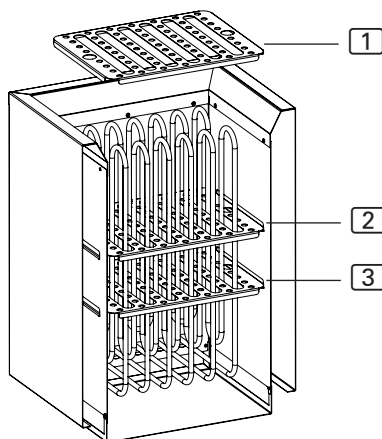
Pokud se saunová kamna používají bez saunových kamenů, stěny kabiny se silně zahřívají. To může být příčinou požáru.

- Saunová kamna NIKDY neuvádějte do provozu bez saunových kamenů.

Mřížku na kameny **1** můžete namontovat do dvou různých výšek.

Pozice **2**: menší množství kamenů, kratší doba zahřívání, úspora energie

Pozice **3** (z výroby): větší množství kamenů, při zalévání můžete použít větší množství vody - tím vznikne více páry, delší doba zahřívání



Množství kamenů vhodné pro vaše kamna je uvedeno v kapitole **Technické údaje** (viz strana **25**).

1. Saunové kameny před použitím důkladně očistěte kartáčem a omyjte vodou. Nepoužívejte žádné čisticí přísady.
2. Kameny před vložením do saunových kamen zkontrolujte, zda neobsahují cizí tělesa, a odstraňte zbytky obalů.
3. Vložte saunové kameny do nádoby na kameny – i mezi topné tyče. Saunové kameny naskládejte volně, aby meziprostorem mohl proudit vzduch.
- 4. Pamatujte, že se topné tyče NESMÍ vzájemně dotýkat.**
5. Dbejte, aby saunové kameny nepřesahovaly přes okraj nádoby na kameny.

5.2. První nahřívání



OPATRNĚ!

Při prvním rozeřívání vzniká kouř a je cítit zápach

Na nových topných tyčích jsou provozní látky z výrobního procesu. Ty se při prvním rozeřívání saunových kamen rozkládají. Přitom vzniká kouř a nepříjemný zápach. Vdechování těchto výparů nebo kouře škodí vašemu zdraví.

POZOR!

Ochrana proti přehřátí se také může vypnout při teplotách pod -5°C / 23°F (skladování, přeprava, prostředí). Před instalací umístěte zařízení do teplého prostředí. Ochrana proti přehřátí je možné resetovat, pokud je teplota zařízení přibližně 18°C / 64°F . Před použitím zařízení je nutné ochranu proti přehřátí resetovat. Viz uživatelský návod > Reset ochrany proti přehřátí.

Při **prvním zprovoznění** a při **výměně topných tyčí saunových kamen** proveďte následující kroky. Zabráníte tak ohrožení zdraví výparů a kouřem, které vznikají při prvním rozeřívání.

1. První nahřívání topných tyčí
 - a. Na řídicí jednotce sauny nastavte co nejvyšší teplotu.
 - b. Saunová kamna nahřívajte půl hodiny.
Během této doby se NEZDRŽUJTE v saunové kabině.
2. První nahřívání odpařovače
 - a. Na řídicí jednotce sauny navolte nízkou teplotu a vysokou vlhkost vzduchu.
 - b. Odpařovač ohřejte s polovičním množstvím vody (viz **Plnění odpařovače** na straně 20)
Během této doby se NEZDRŽUJTE v saunové kabině.
 - c. Asi po 15 minutách vypněte řídicí jednotku sauny.
 - d. Odpařovač nechejte vychladnout (asi půl hodiny).
 - e. Vypusťte vodní nádrž (viz **Plnění odpařovače** na straně 20).
 - f. Opakujte bod 2.b.
 - g. Po prvním rozeřívání dobře vyvětrejte saunovou kabinu.
 - h. Pokud při dalším rozeřívání nedochází ke vzniku kouře a pachu, můžete se začít saunovat.
Pokud se znovu uvolňuje kouř nebo zápach, okamžitě opusťte saunovou kabinu a opakujte rozeřívání kamen se zapnutým ventilátorem.

6. Obsluha



VÝSTRAHA!

Riziko požáru

Hořlavé předměty položené na saunových kamnech se mohou vznítit a způsobit požár.

- Na saunová kamna **NIKDY** nepokládejte hořlavé předměty.
 - Před uvedením saunových kamen do provozu se ujistěte, že na saunových kamnech **neleží ŽÁDNÉ** hořlavé předměty.
-

6.1. Obsluha saunových kamen

Obsluha saunových kamen probíhá přes řídicí jednotku sauny. Informace k obsluze řídicí jednotky sauny naleznete v návodu k obsluze používaného zařízení. Pamatujte, že saunová kamna Home combi jsou vhodná pouze pro řídicí jednotky sauny bez funkce dálkového zapínání.

6.2. Režim finské sauny

Při režimu finské sauny je v provozu pouze topný systém. K dispozici je suché teplo. Teplota v kabině je vysoká (80 až 100 °C). Vlhkost je při hodnotě maximálně 10 % nízká. Teplota v saunové kabině je regulována řídicí jednotkou sauny.

Na konci saunování lze provést polévání. Saunové kameny polijte vodou pomocí saunové naběračky. Tím se voda odpaří a zvýší se vlhkost vzduchu v saunové kabině.

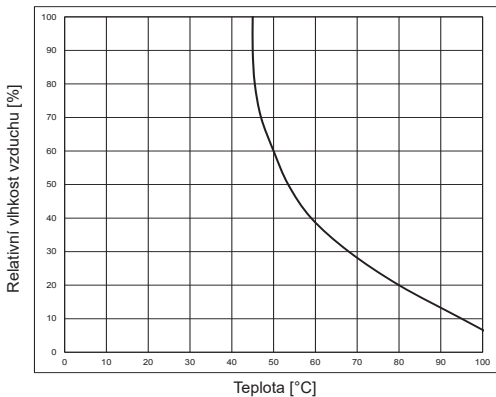
Při polévání dodržujte následující body:

- K polévání používejte pouze vodu z kohoutku. Mořská voda, voda s vysokým obsahem vápníku a chlorovaná voda mohou saunová kamna poškodit.
- Používejte pouze vonné látky a éterické oleje, které jsou výslovně vhodné k použití jako polévací prostředek v saunách. Dodržujte údaje výrobce uvedené na obalu polévacího prostředku.
- Saunové kameny nepolévejte vodou příliš rychle. Pouze tak se voda k polévání zcela odpaří.

6.3. Kombinovaný provoz

V kombinovaném provozu je v provozu topný systém a odpařovač. Teplota v saunové kabině je nižší než v režimu finské sauny (cca 40 až 65 °C), zato relativní vlhkost vzduchu o hodnotách 35 % až zhruba 70 % je podstatně vyšší. Maximálně přípustná vlhkost vzduchu klesá se stoupající teplotou. Teplota a vlhkost vzduchu v saunové kabině jsou regulovány řídicí jednotkou sauny.

Obr. 7 Charakteristika teploty / relativní vlhkost vzduchu (odpovídá normě EN 60335-2-53)



Možná jsou jen nastavení vlevo pod charakteristikou. Například: při 60 % nelze překračovat teplotu 50 °C.

Nádoby odpařovače je nutné plnit ručně. Pokud se spotřebuje zásoba vody v nádobě odpařovače, ochrana proti přehřátí automaticky vypne topení odpařovače. Nedostatek vody je signalizován na řídicí jednotce sauny a zde se zobrazuje např. akustickým výstražným tónem a hlášením „FILL“.

POZOR!

Poškození odpařovače

Mořská voda, voda s vysokým obsahem vápníku a chlorovaná voda, bylinky, esence nebo vonné látky mohou odpařovač poškodit.

- Nádoby odpařovače plňte pouze vodou z vodovodu.
- Bylinky, esence a vonné látky nepřidávejte nikdy přímo do nádoby odpařovače, nýbrž pouze do keramické misky nad odpařovačem.
- Z odpařovače pravidelně odstraňujte vodní kámen (viz 7.5 na straně 23).

Plnění odpařovače**UPOZORNĚNÍ!****Nebezpečí opaření**

Při vlévání vody do horké nádoby odpařovače vzniká horká pára.

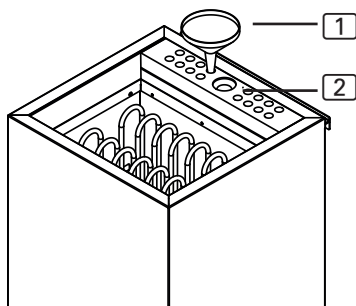
- Vodu NIKDY nevlévejte do horké nádoby odpařovače.
- Vždy před spuštěním kombinovaného provozu zkontrolujte a naplňte nádobu odpařovače.
- Pokud ochrana proti přehřátí vypne topení odpařovače nebo řídicí jednotka sauny hlásí nedostatek vody, nechejte odpařovač PŘED nalitím vody do nádoby odpařovače vychladnout.

**UPOZORNĚNÍ!****Nebezpečí opaření**

Pokud je nádoba odpařovače příliš plná, vystřikuje z ní vroucí voda.

- Do nádoby odpařovače naplňte 5 litrů vody.

1. Použijte nálevku [1] nebo vyjměte masek [2].
2. Nádobu odpařovače naplňte čerstvou vodou z vodovodu. K tomu je zapotřebí asi 5 litrů vody. Při tomto množství vody lze odpařovač provozovat asi 1 hodinu.
3. Použijte nálevku [1] nebo opět vsadte masek.



Používání aromatických látek

Podle přání lze na mastek položit kapalné aromatické látky nebo sušené bylinky. Přitom dodržujte následující body:

- Vonné látky nepřidávejte přímo do nádoby odpařovače.
- Prohlubeň na mastku opatrně naplňte aromatickými látkami jen zpoza, aby vonné látky nescapávaly přes otvory do nádoby odpařovače.
- Dodržujte údaje výrobce uvedené na balení bylinek a vonných látek.
- Mastek pravidelně umývejte pod tekoucí vodou.

7. Údržba

7.1. Delší přestávky v provozu

Ve vlhkém prostředí nebo po dlouhých přestávkách v provozu se v topných tyčích hromadí vlhkost. Jedná se o fyzikální proces a není to žádná chyba výrobce. Vlhkost v topných tyčích může vést ke spuštění proudového chrániče. V tomto případě povolte k odstranění poruchy kvalifikovaného elektrikáře (viz kapitola

9. Řešení problémů montérem na straně 24).



Saunová kamna nahřívejte jednou za 5 až 6 týdnů asi na 15 minut. Tak zabráníte, aby se při delších přestávkách v provozu hromadila voda v topných tyčích.

7.2. Čistění saunových kamen

Dbejte, aby v odvětrávacích otvorech nebyly žádné nitě ani prach. Tak zabráníte omezení cirkulace vzduchu v saunových kamnech a přehřátí zařízení.

7.3. Výměna saunových kamenů

Saunové kameny jsou namáhány polévacími prostředky a velkými rozdíly teplot, které se vyskytují při používání. Saunové kameny mohou být narušovány a mohou praskat.



VÝSTRAHA!

Riziko požáru přehřátím

Pokud se saunová kamna používají bez saunových kamenů, stěny kabiny se silně zahřívají. To může být příčinou požáru.

- Saunová kamna NIKDY neuvádějte do provozu bez saunových kamenů.

Saunové kameny v pravidelných intervalech kontrolujte a alespoň jednou za rok je vyměňte.

1. Staré saunové kameny odstraňte.
2. Z koše na kameny odstraňte zbytky vodního kamene, prachu a jiných nečistot.
3. Saunové kameny před použitím důkladně očistěte kartáčem a omyjte vodou. Nepoužívejte žádné čisticí přísady.
4. Kameny před vložením do saunových kamen zkontrolujte, zda neobsahují cizí tělesa, a odstraňte zbytky obalů.
5. Vložte saunové kameny do koše na kameny. Saunové kameny naskládejte volně, aby meziprostorem mohl proudit vzduch.
6. Dbejte, aby saunové kameny nepřesahovaly přes okraj nádoby na kameny.

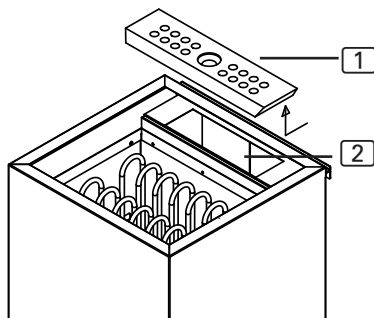
7.4. Čištění nádoby odpařovače

Nádobu odpařovače po každém použití vyprázdněte a vyčistěte. Za tímto účelem proveďte následující kroky:

1. Počkejte na ochlazení vody v odpařovači.
2. Pod kulový kohout u dna odpařovače umístěte záchytnou nádobu (alespoň 5 litrů).
3. Otočte kulový kohout doleva, aby odtekla zbývající voda.
4. Jakmile bude nádoba odpařovače prázdná, kulový kohout zavřete.
5. Vyjměte mastek.
6. Nádobu odpařovače očistěte kartáčem na úklid domácnosti s plastovými štětini. Dávejte pozor na vedení snímačů v nádrži, abyste je nepoškodili. Opláchněte vodou.
7. Mastek opět vsadte.

7.5. Odstranění vodního kamene z nádoby odpařovače

Z nádoby odpařovače podle potřeby odstraňte vodní kámen. K tomu použijte prostředek do domácnosti k odstranění vodního kamene. Dodržujte přitom předpisy a bezpečnostní pokyny výrobce.



1. Vyjměte mastek.
2. Vyprázdněte zásobník odpařovače.
3. Roztok k odstranění vodního kamene připravte podle údajů výrobce.
4. Odpařovač naplňte roztokem k odstranění vodního kamene až po okraj nánosů vodního kamene.
5. Roztok k odstranění vodního kamene nechejte působit podle návodu výrobce.
6. Pod kulový kohout u dna odpařovače položte záchytnou nádobu a vyprázdněte nádobu odpařovače.
7. Nádobu odpařovače propláchněte dvakrát studenou vodou z vodovodu.

8. Likvidace



- Obalové materiály zlikvidujte podle směrnic platných pro likvidaci.
- Stará zařízení obsahují recyklovatelné materiály, ale i škodlivé látky. Stará zařízení proto v žádném případě neodkládejte do odpadu, ale zlikvidujte je podle místních platných předpisů.

9. Řešení problémů montérem

Vyhřívání topných tyčí

Ve vlhkém prostředí nebo po dlouhých přestávkách v provozu se v topných tyčích může hromadit vlhkost. Jedná se o fyzikální proces a není to žádná chyba výrobce. Vlhkost v topných tyčích může v určitých případech vést ke spuštění proudového chrániče.

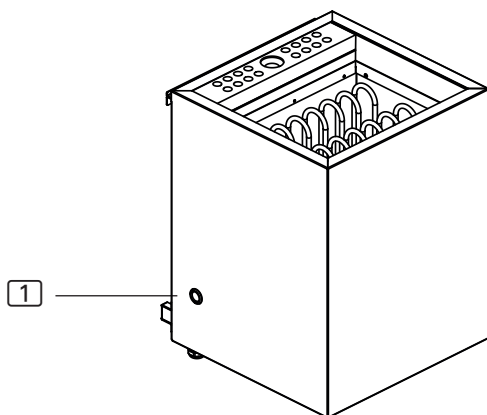
V tomto případě je nutné vyhřívát saunová kamna pod dozorem kvalifikovaného elektrikáře. Přitom musí být deaktivována funkce proudového chrániče. Postup vyhřátí zabere asi 10 minut. Poté je nutné bezpečnostní funkci proudového chrániče obnovit.

Pokud bude problém trvat i nadále, obraťte se na svého dodavatele.

Zkontrolujte pojistku odpařovače proti přehřívání

Funkci detekce nedostatku vody přebírá teplotní vypínač. Jestliže hladina vody v nádrži odpařovače klesne pod určitou mez (cca. 1 l), teplotní vypínač vypne topné těleso. Zpětné vedení k řídicí jednotce WM současně klesne na 0 V – řídicí jednotka signalizuje „Nedostatek vody“.

Pro případ, že se odpařovač přesto přehřeje, slouží jako ochrana před přehřátím teplotní pojistka. Tuto pojistku je třeba vrátit zpět ručně. K tomu stiskněte kontakt na levé boční stěně **1**.

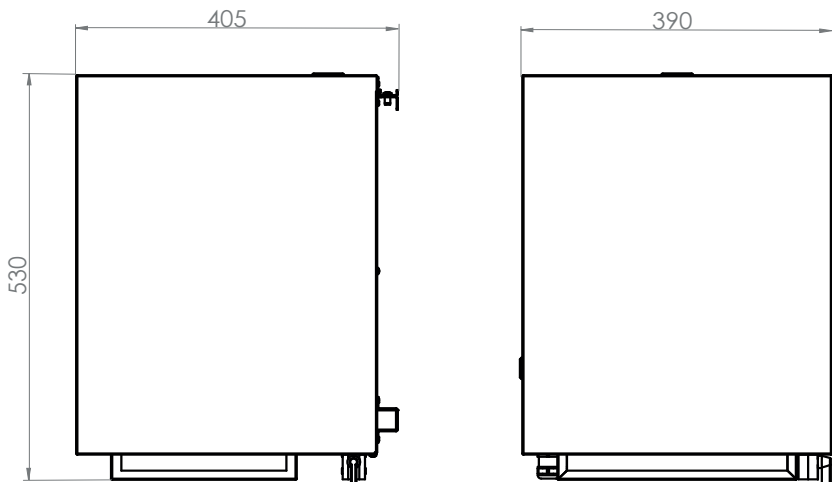


10. Technické údaje

Číslo položky	Výkon [kW]	Výkon odpařovače [kW]	Objem kabiny [m ³]	Množství kamene [kg]	Hmotnost bez kamenů [kg]
HOME-C60	6,0	2,0	5 - 9	cca 20 / 30	17
HOME-C90	9,0	2,0	8–14	cca 20 / 30	17

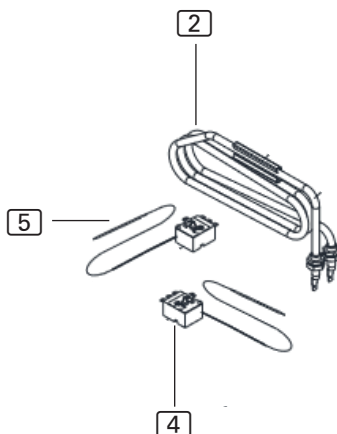
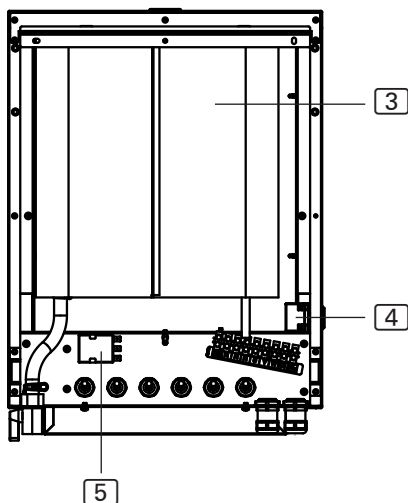
Číslo položky	Minimální velikost odvětrávacího otvoru [mm]	Jištění [A]	Napájení
HOME-C60	350 x 35	3 x 10	400 V AC 3N~ 50/60 Hz 230 V AC 1N~ 50/60 Hz
HOME-C90	350 x 50	3 x 16	400 V AC 3N~ 50/60 Hz 230 V AC 1N~ 50/60 Hz

Obr. 8 Rozměry modelu Home combi 6,0 kW a 9,0 kW
(HOME-C60 / HOME-C90)
Rozměry v mm



11. Náhradní díly

č.	Označení	Číslo zboží	Počet
1	Topné prvky 2000 W	HP-HOME-200 (1-043-618)	3
1	Topné prvky 3000 W	HP-HOME-300 (1-043-620)	3
2	Topný prvek Odpařovač 2000 W	VZH-104 (1-047-023)	1
3	Jednotka odpařovače kompletní	WX671 (1-051-000)	1
4	Ochrana před přehřátím 140 °C	ZSK-764 (1-046-109)	1
5	Termostat 110 °C	ZSN-250 (1-046-108)	1



Bastuaggregat

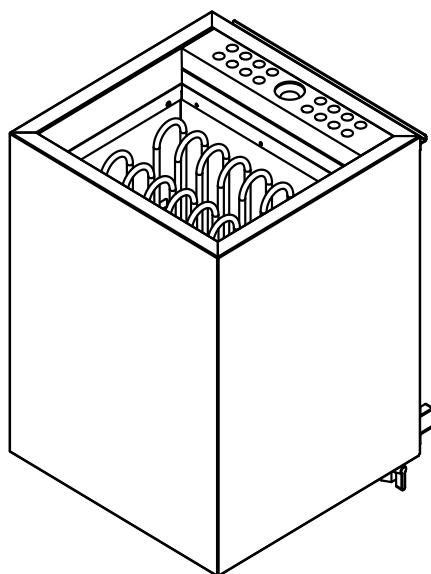
Home combi

HOME-C60/1-050-408: Home combi 6,0 kW

HOME-C90/1-050-411: Home combi 9,0 kW

MONTERINGS- OCH BRUKSANVISNING

Svenska



SV

Innehållsförteckning

1. Om monterings- och bruksanvisningen	4
2. Viktig säkerhetsinformation	5
2.1. Ändamålsenlig användning	5
2.2. Säkerhetsanvisningar för installatören	6
2.3. Säkerhetsanvisningar för användaren	7
3. Produktbeskrivning	8
3.1. Leveransomfattning	8
3.2. Tillbehör	8
3.3. Funktioner	8
4. Installation och anslutning	8
4.1. Uppställningsplats och givarposition	9
4.2. Säkerhetsavstånd	9
4.3. Montering på väggen	10
4.4. Kopplingsschema för 400 V 3 N~	12
4.5. Kopplingsschema för 230 V 1 N~	13
4.6. Elscheman	14
4.7. Elanslutning	14
5. Driftstart	16
5.1. Fylla på stenkorgen	16
5.2. Den första uppvärmningen	17
6. Användning	18
6.1. Användning	18
6.2. Finsk bastu	18
6.3. Kombidrift	19

7. Underhåll	21
7.1. Längre användningsuppehåll.....	21
7.2. Rengöring av bastuaggregatet.....	21
7.3. Byta bastustenar.....	22
7.4. Rengöring av förångarbehållaren.....	22
7.5. Avkalkning av förångarbehållaren.....	23
8. Avfallshantering	23
9. Felavhjälpning utförd av installatören	24
10. Tekniska data	25
11. Reservdelar	26

1. Om monterings- och bruksanvisningen

Läs hela monterings- och bruksanvisningen noga och förvara den sedan i närheten av bastun. Du kan då när som helst läsa de specifika säkerhets- och användningsanvisningarna.



Den här monterings- och bruksanvisningen kan även laddas ner från vår webbsida, www.sentiotec.com/downloads.

Symboler och varningar

I den här monterings- och bruksanvisningen används olika varningssymboler vid avsnitt som beskriver situationer som kan medföra fara eller risker av olika slag. Dessa varningar ska alltid beaktas. På så sätt undviker man sakskador och personskador, som i värsta fall kan ha dödlig utgång.

Följande signalord används:



FARA!

Om de här varningarna/anvisningarna inte följs kan det leda till allvarliga eller livsfarliga skador.



VARNING!

Om de här varningarna/anvisningarna inte följs kan det leda till allvarliga eller livsfarliga skador.



FÖRSIKTIGHET!

Om de här varningarna/anvisningarna inte följs kan det leda till lindriga skador.

VARNING!

Varnar för sakskador.

Övriga symboler



Används vid tips och nyttig information.



Täck inte över!



Läs bruksanvisningen

2. Viktig säkerhetsinformation

Bastuaggregatet Home combi har konstruerats och tillverkats enligt vedertagna säkerhetstekniska regler. Det kan ändå uppstå vissa risker under användningen. Följ alltid nedanstående säkerhetsanvisningar och observera de särskilda varningarna i resp. kapitel.

2.1. Ändamålsenlig användning

Home combi är ett bastuaggregat med integrerad förångare. Home combi får endast användas för uppvärmning av basturum och för höjning av luftfuktigheten i bastun. Bastuaggregatet Home combi får endast användas i kombination med en styrenhet utan fjärrstartfunktion.

Bastuaggregatet Home combi får endast användas tillsammans med en styrenhet med fjärrstartfunktion om det samtidigt installeras en anordning för säkerhetsavstängning.

Bastuaggregatet Home combi får endast användas i allmänna bastur när det kombineras med säkerhetsavstängningen som kan beställas som tillval.

All annan användning betraktas som ej ändamålsenlig. Ej ändamålsenlig användning kan leda till skador på produkten och innebära risk för allvarliga eller livsfarliga skador.

2.2. Säkerhetsanvisningar för installatören

- Bastuaggregatet får endast installeras och anslutas i spänningslöst tillstånd.
- Montering/installation får endast utföras av elektriker.
- På plats ska en allpolig frånskiljare med komplett avstängning enligt överspänningskategori III installeras.
- Använd endast silikonkablar med värmetålighet upp till 150 °C för anslutning av bastuaggregatet.
- Installera endast ett bastuaggregat i varje basturum. Bastuaggregatet Home fin får inte användas i ett basturum tillsammans med andra bastuaggregat.
- Bastuns väggar och tak ska vara tillverkade av obehandlat eller termiskt behandlat trä med låg hartshalt, t.ex. nordisk gran, hemlock, tall eller ädelgran, eller av flerskikts träskivor. Om flerskikts träskivor används får limmet inte innehålla formaldehyd. Om andra material än trä används i bastun måste de vara värme- och korrosionsbeständiga och får inte utgöra någon hälsorisk för bastubadarna.
- Basturummet ska ha minst 1,9 meters takhöjd.
- Observera uppgifterna om volym och ventilation av basturummet i kapitel **10. Tekniska data** på sidan **25**.
- Observera min. avstånden vid installation av bastuaggregatet (se kapitel **4.2. Säkerhetsavstånd**).
- Följ gällande lokala bestämmelser.
- Om det uppstår problem som inte beskrivs tillräckligt detaljerat i monteringsanvisningarna, vänd dig, för din egen säkerhets skull, till leverantören/återförsäljaren.

2.3. Säkerhetsanvisningar för användaren

- Barn under 8 år får inte använda utrustningen.
- Under följande förutsättningar får utrustningen användas av barn över 8 år, av personer med nedsatt psykisk, sensorisk eller mental förmåga och av personer som saknar erfarenhet och kunskap om liknande utrustningar:
 - under uppsikt.
 - när de har instruerats om säker användning och känner till vilka risker som kan uppstå.
- Utrustningen är ingen leksak. Barn får inte leka med den.
- Barn under 14 år får endast rengöra utrustningen under uppsikt.
- Av hälsoskäl bör man inte bada bastu när man är påverkad av alkohol, läkemedel eller droger.
- Använd aldrig bastuaggregatet utan bastustenar - det kan medföra brandrisk.
- Kontrollera att det inte finns några brännbara föremål på bastuaggregatet innan styrenheten slås på.
- Värm upp bastuaggregatet en halvtimme INNAN du ska använda bastun för första gången. Vistas INTE i basturummet under denna tid. Vädra därefter basturummet ordentligt (se **5.2. Den första uppvärmningen** på sidan 17).
- Vidrör aldrig bastuaggregatet när det är igång. Bastuaggregatets yta och bastustenarna blir mycket varma.
- Om det uppstår problem som inte beskrivs tillräckligt detaljerat i bruksanvisningen, vänd dig, för din egen säkerhets skull, till leverantören/återförsäljaren.

3. Produktbeskrivning

3.1. Leveransomfattning

- Bastuaggregat
- Monterings- och bruksanvisning

3.2. Tillbehör

Tillbehör	Artikelnummer
Vippbrytare	SFE-350400/1-045-583

3.3. Funktioner

- **Finsk bastu:** vanligtvis 80 till 100 °C; ca 10 % rel. luftfuktighet
- **Kombiläge** (endast i kombination med en kombistyrenhet): ca 40 till 65 °C, 35 % till ca 70 % luftfuktighet. Den max. tillåtna luftfuktigheten blir lägre ju högre temperaturen är.

4. Installation och anslutning

Observera följande punkter vid installation och anslutning av bastuaggregatet:



VARNING!

Risk för elektriska stötar

- Montering/installation och anslutning av bastuaggregatet får endast göras i spänningslöst tillstånd.

- Elanslutningarna får endast utföras av utbildad elektriker.
- På plats ska en allpolig frånskiljare med komplett avstängning enligt över-spänningskategori III installeras.
- Bastuaggregatet Home fin är ett väggmonterat aggregat. Kontrollera att aggregatet sitter fast ordentligt på monteringslisten innan det används för första gången.

4.1. Upställningsplats och givarposition

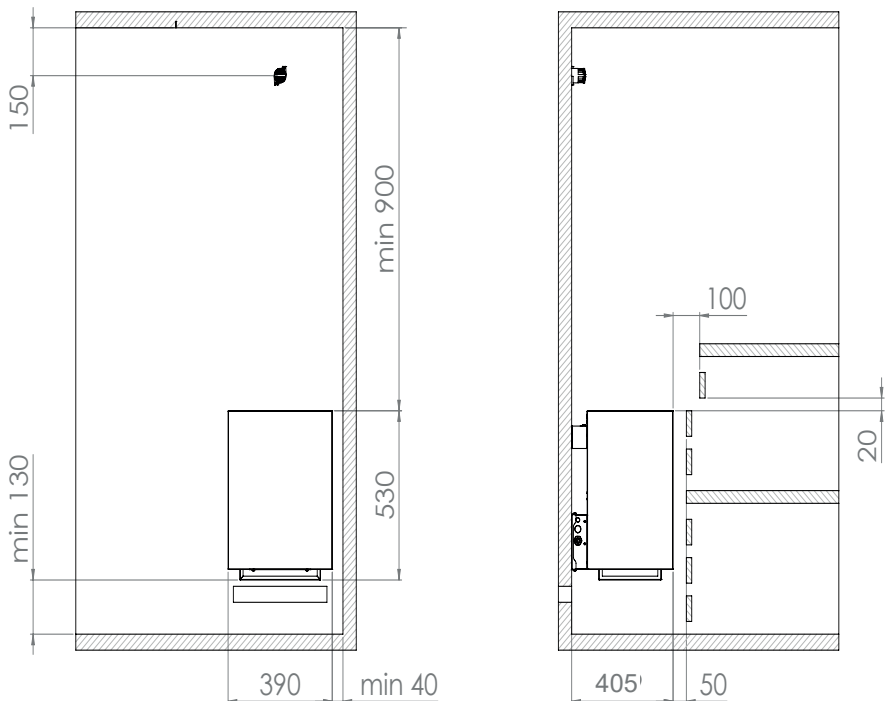
Montera aggregatet mitt framför luftintagets på bastuväggen. Observera säkerhetsavstånden till väggen som anges på **Bild 1**.

Montera temperaturgivaren med övertemperaturskydd på bastuväggen över bastuaggregatets mitt. Avståndet till bastuns tak ska vara 15 cm. Beakta uppgifterna i monteringsanvisningen för styrenheten.

4.2. Säkerhetsavstånd

Beakta säkerhetsavstånden som anges på **Bild 1**.

Bild 1 Säkerhetsavstånd
Home combi 6,0 kW och 9,0 kW
(HOME-C60/HOME-C90)
Mått i mm



4.3. Montering på väggen

Observera **bild 1**, **bild 2**, **bild 3** och **bild 4** (sidan **9**, **10**, **11**).

1. Fäst monteringslistan **[1]** vågrätt på väggen med medföljande träskruvar **[2]**. Observera min. avstånden till väggen, bild 1.
2. Skjut in aggregatet **[3]** uppifrån i monteringslistan. Se till att aggregatet sitter rakt och jämnt mot monteringslistan.
3. Fäst aggregatet **[3]** med medföljande låsskruv **[4]** på monteringslistan **[1]**.



VARNING!

Brandrisk

- Fäst aggregatet med medföljande låsskruv **[4]** så att det sitter fast säkert och stabilt.

Bild 2 Monteringslist Home combi
Mått i mm

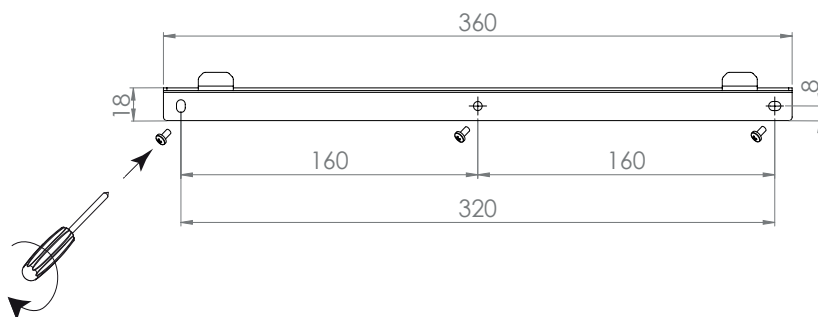


Bild 3 Position för monteringslist Home combi
Mått i mm

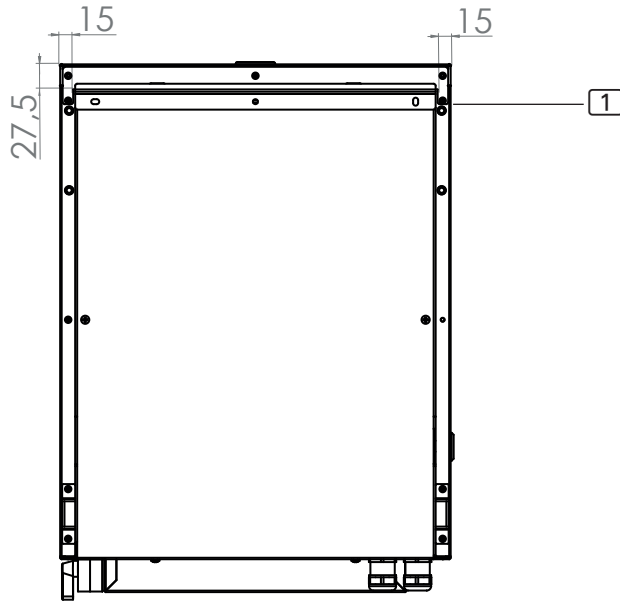
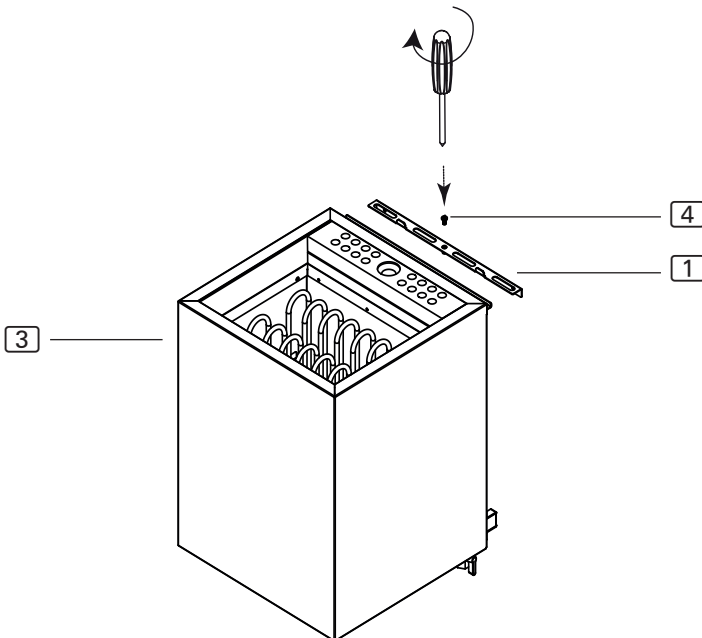
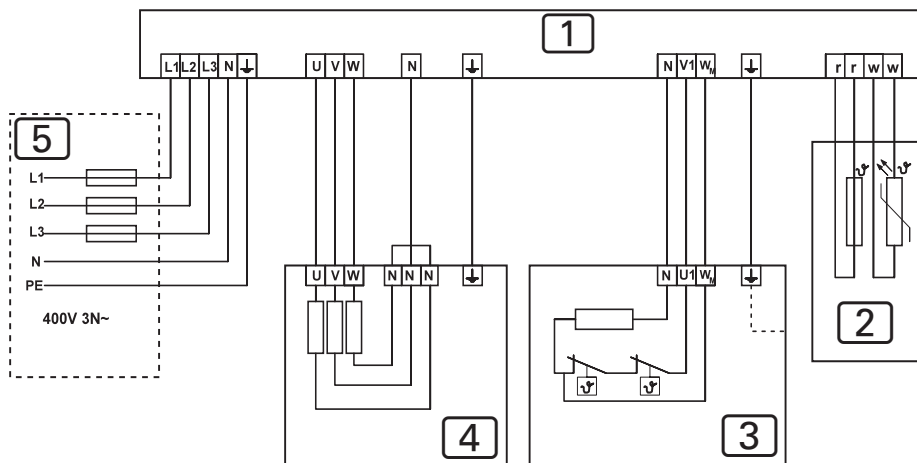


Bild 4 Säkring Home combi (monteringslist)



4.4. Kopplingschema för 400 V 3 N~

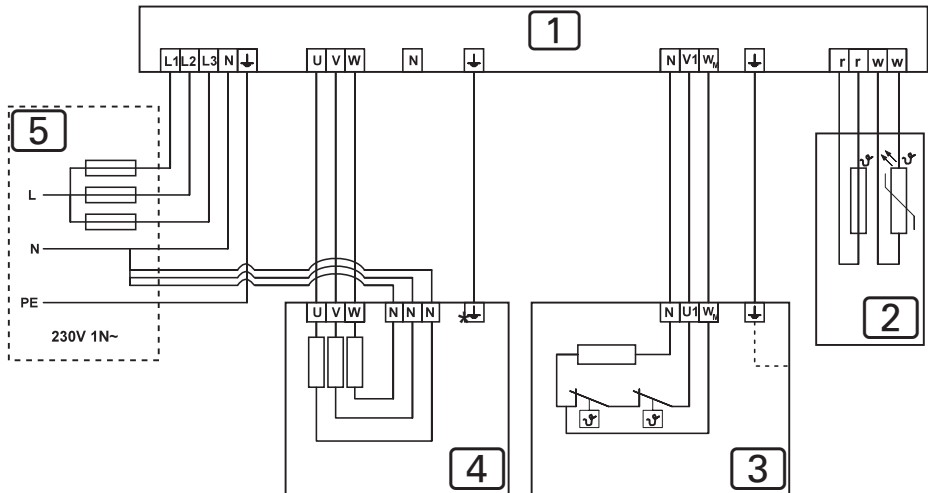
Bild 5 Kopplingschema 400 V 3 N~
Home combi 6,0 kW och 9,0 kW
(HOME-C60/HOME-C90)



- 1 Styrenhet
- 2 Temperaturgivare med övertemperaturskydd
- 3 Förångare 2,0 kW
- 4 Värmesystem 6,0 kW eller 9,0 kW
- 5 Strömförsörjning

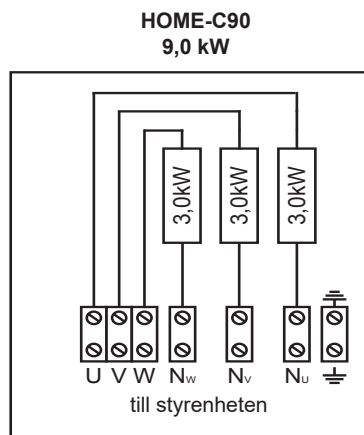
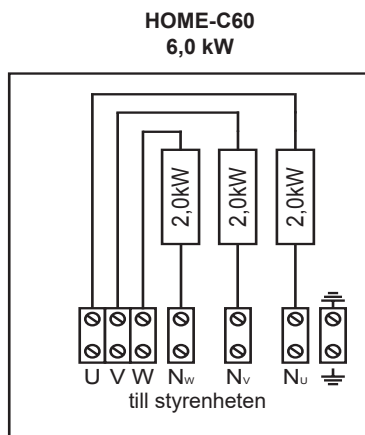
4.5. Kopplingschema för 230 V 1 N~

Bild 6 Kopplingschema 230 V 1 N~
Home combi 6,0 kW och 9,0 kW
(HOME-C60/HOME-C90)



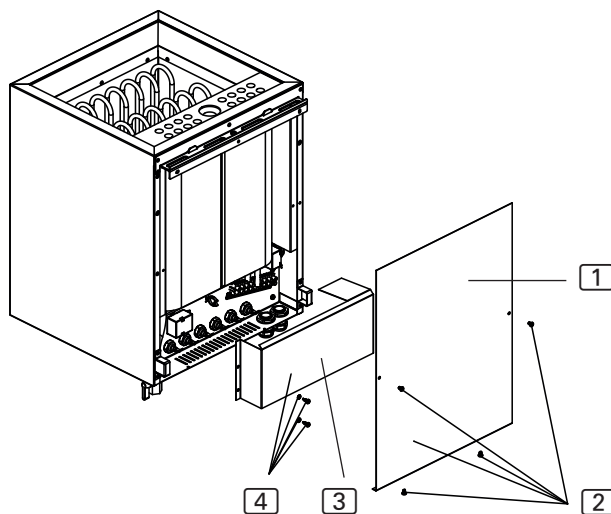
- 1 Styrenhet
 - 2 Temperaturgivare med övertemperaturskydd
 - 3 Förångare 2,0 kW
 - 4 Värmesystem 6,0 kW eller 9,0 kW
 - 5 Strömförsörjning
- * Borttagning av kopparbryggan

4.6. Elschema



4.7. Elanslutning

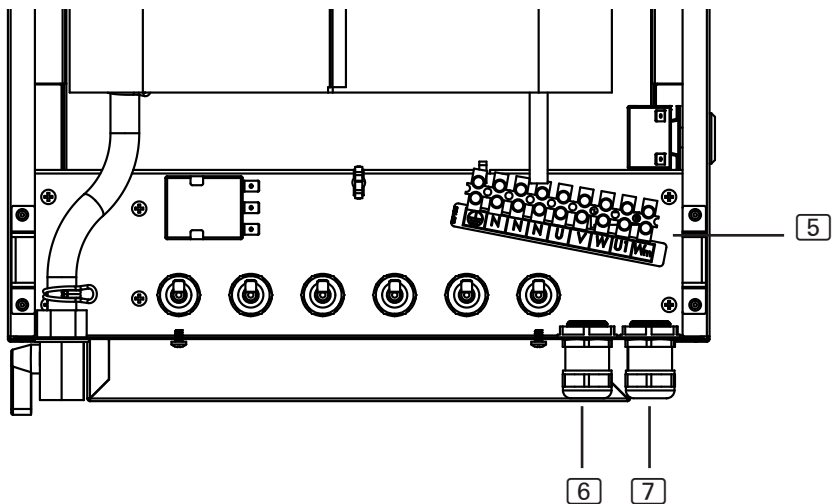
1. Lossa skruvarna med en skruvmejsel.
2. Ta bort täckplåten .
3. Lossa skruvarna med en skruvmejsel.
4. Ta bort täckplåten .



Koppling Home combi 6,0 kW och 9,0 kW

(HOME-C60 / HOME-C90)

1. För anslutningskabeln för värmesystemet genom genomföringen **6**.
2. Anslut anslutningskabelns ledare, enligt anslutningstyp, till lämpliga anslutningar för anslutningslisten **5** och lämpliga anslutningar för styrenheten. Ta hänsyn till styrenhetens monteringsanvisning och kopplings schemana på sidan 12 och 13.
1. För anslutningskabeln för förångaren genom genomföringen **7**.
2. Anslut förångarkabelns ledare till anslutningarna PE – N – U1 – Wm på anslutningslisten **5** och till passande anslutningar på styrenheten. Ta hänsyn till styrenhetens monteringsanvisning och kopplings schemana på sidan 12 och 13.
3. Montera tillbaka täckplåten **3** och **1** på bastuaggregatet.



- 5** Anslutningslist för värmesystemet och förångaren
- 6** Genomföring för värmesystemets anslutningskabel
- 7** Genomföring för förångarkabeln

5. Driftstart

5.1. Fylla på stenkorgen

**VARNING!****Brandrisk på grund av överhettning**

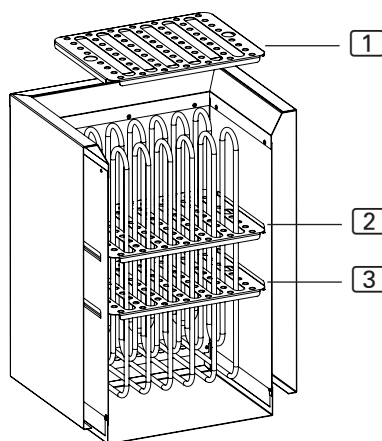
Om bastuaggregatet används utan bastustenar blir bastuns väggar mycket varma. Detta kan orsaka eldsvåda.

- Använd INTE bastuaggregatet utan bastustenar.

Stengallret **1** kan monteras i två olika höjdlägen.

Position **2**: mindre mängd stenar, kortare uppvärmningstider, energibesparing

Position **3** (position från fabrik): större mängd stenar, möjligt att hålla på större mängder vatten. Detta ökar mängden ånga, vilket leder till längre uppvärmningstider



Passande mängd stenar för resp. aggregat anges i kapitel **Tekniska data** (se sidan **25**).

1. Rengör först bastustenarna noga med vatten och en borste. Använd inga rengöringsmedel.
2. Kontrollera om det finns främmande partiklar på stenarna och ta bort alla förpackningsrester innan de läggs in i bastuaggregatet.
3. Lägg i bastustenarna i stenkorgen, även mellan värmestavarna. Lägg i bastustenarna löst på varandra så att luften kan cirkulera mellan dem.
4. **Se till att värmestavarna INTE vidrör varandra.**
5. Se till att stenarna inte sticker ut ovanför stenkorgens kant.

5.2. Den första uppvärmningen



AKTA!

Rök- och luktutveckling vid den första uppvärmningen

På nya värmestavar finns det rester från tillverkningsprocessen. Dessa bryts ner när bastuaggregatet värms upp för första gången. När detta sker bildas det rök och en obehaglig lukt. Inandning av röken och ångorna utgör en hälsofara.

VARNING!

Enhetens överhettningsskydd kan även lösa ut när temperaturen understiger -5°C / 23°F (lagring, transport, omgivningsmiljö). Innan du installerar enheten bör den få stå i en varm miljö en stund. Återställning är möjlig när enhetens temperatur ligger på ca 18°C / 64°F . Överhettningsskyddet måste återställas innan enheten tas i bruk.

Följ nedanstående anvisningar när du använder bastuaggregatet **för första gången** och när **värmestavarna i bastuaggregatet har bytts ut**. På det här sättet kan du undvika skadliga effekter av ångorna och röken som bildas vid den första uppvärmningen.

1. Värma upp värmestavar för första gången
 - a. Välj den högsta möjliga temperaturen på styrenheten till bastun.
 - b. Värm upp bastuaggregatet under en halvtimme.
Vistas INTE i basturummet under denna tid.
2. Värma upp förångaren för första gången
 - a. Välj en låg temperatur och en hög luftfuktighet på styrenheten.
 - b. Värm upp förångaren med halva vattenmängden
(se **Fylla på förångaren** på sidan **20**)
Vistas inte i bastun medan uppvärmningen pågår.
 - c. Efter ca 15 minuter ska man stänga av styrenheten.
 - d. Låt förångaren svalna (ca en halvtimme).
 - e. Töm vattentanken (se **Fylla på förångaren** på sidan **20**)
 - f. Upprepa punkt 2.b.
 - g. Vädra bastun ordentligt efter den första uppvärmningen.
 - h. Om ingen rök eller lukt uppstår vid nästa uppvärmning kan du börja använda bastun.
Om rök eller lukt uppstår, lämna omedelbart bastun. Upprepa den första uppvärmningen och vädra därefter bastun igen.

6. Användning

**WARNING!****Brandrisk**

Brännbara föremål som ligger på det varma bastuaggregatet kan antändas och orsaka eldsvåda.

- Lägg **ALDRIG** brännbara föremål på bastuaggregatet.
 - Kontrollera att det **INTE** finns några brännbara föremål på bastuaggregatet innan bastuaggregat sätts igång.
-

6.1. Användning

Bastuaggregatet styrs via en styrenhet. Användningen av styrenheten beskrivs i tillhörande bruksanvisning. Observera att bastuaggregatet Home combi endast är avsett för styrenheter utan fjärrstartfunktion.

6.2. Finsk bastu

Vid finsk bastu används endast värmesystemet. Bastun ger endast torr värme. Temperaturen i bastun är hög (80 till 100 °C). Fukthalten är låg, max. 10 %. Styrenheten används för att reglera temperaturen i bastun.

Man kan avsluta bastubadet med att hälla vatten på stenarna. Häll vatten på bastustenarna med en bastuskopa. Vattnet förångas och luften blir fuktigare i bastun.

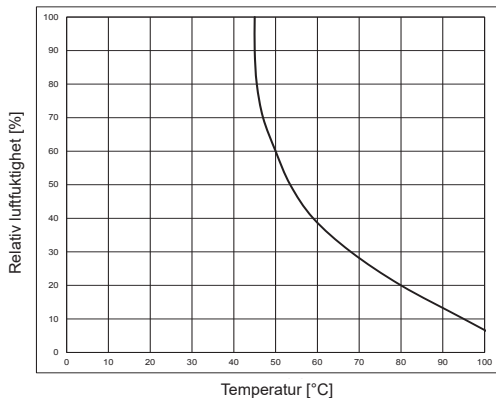
Observera följande:

- Använd endast kranvatten. Saltvatten, starkt kalkhaltigt eller klorerat vatten kan leda till skador på bastuaggregatet.
- Använd endast doftämnen eller eteriska oljor som uttryckligen är avsedda för användning i bastu. Observera anvisningarna och uppgifterna på resp. förpackning.
- Häll inte vattnet för snabbt över bastustenarna. Om det hålls för snabbt över stenarna förångas det inte riktigt.

6.3. Kombidrift

I kombiläget används både värmesystemet och förångaren. Temperaturen i bastun är lägre än vid finsk bastu (ca 40 till 65 °C), men den relativa luftfuktigheten är betydligt högre, mellan 35 % och 70 %. Den max. tillåtna luftfuktigheten blir lägre ju högre temperaturen är. Temperaturen och luftfuktigheten i bastun regleras av styrenheten.

Bild 7 Temperaturkurva/relativ luftfuktighet (enligt EN60335-2-53)



Det är endast möjligt att genomföra inställningar till vänster under kurvan. Om värdet t.ex. är 60 % kan man inte ställa in temperaturen på mer än 50 °C.

Förångarbehållaren måste fyllas på manuellt. Om vattnet i förångarbehållaren tar slut stänger överhettningsskyddet automatiskt av förångarens värme. Vattenbristen signaleras till styrenheten som indikerar detta t.ex. genom en ljudsignal och meddelandet "FILL".

OBS!

Risk för skador på förångaren

Saltvatten, starkt kalkhaltigt eller klorerat vatten, örter, essenser eller doftämnen kan leda till skador på bastuaggregatet.

- Fyll endast på kranvatten i förångarbehållaren.
- Tillsätt inte örter, essenser eller doftämnen direkt i förångarbehållaren, utan använd keramikskålen ovanför förångaren.
- Avkalka förångaren med regelbundna mellanrum (se **7.5 på sidan 23**).

Fylla på förångaren**FÖRSIKTIGHET!****Skållningsrisk**

Om du häller vatten i den heta förångarbehållaren bildas det het ånga.

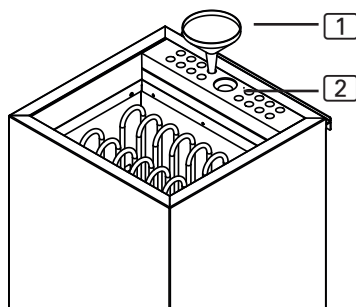
- Häll ALDRIG vatten i den heta förångarbehållaren.
- Kontrollera och fyll på förångarbehållaren varje gång innan du startar kombiläget.
- Om överhettningsskyddet har stängt av förångarens värme, eller om styrenheten signalerar att det råder vattenbrist, låt förångaren svalna INNAN du häller i vatten i förångarbehållaren.

**FÖRSIKTIGHET!****Skållningsrisk**

Om förångarbehållaren är överfylld sprutar kokande vatten ut ur förångarbehållaren.

- Fyll förångarbehållaren med 5 liter vatten.

1. Använd en tratt **1** eller ta bort täljstenen **2**.
2. Fyll endast på rent kranvatten i förångarbehållaren. Det behövs ca 5 liter vatten. Med denna mängd kan man använda förångaren i ca 1 timme.
3. Ta bort tratten **1** eller sätt tillbaka täljstenen.



Använda doftämnen

Om du önskar kan du tillsätta flytande doftämnen eller torkade örter på täljstenen. Observera följande:

- Tillsätt inte doftämnen direkt i förångarbehållaren.
- Fyll försiktigt på täljstenens fördjupning tills den är halvfull så att inte doftämnen droppar genom hålen i förångarbehållaren.
- Observera anvisningarna på förpackningarna till örterna och doftämnen.
- Rengör regelbundet täljstenen under rinnande vatten.

7. Underhåll

7.1. Längre användningsuppehåll

Fuktiga omgivning och långa användningsuppehåll leder till att fukt adsorberas i värmestavarna. Detta är ett fysikaliskt förlopp och inget tillverkningsfel. Fukten i värmestavarna kan leda till att jordfelsbrytaren löser ut. Låt i sådana fall en elektriker åtgärda felet (se kapitel 9. **Felavhjälpning utförd av installatören** på sidan 24).



Värm upp bastuaggregatet i ca 15 minuter var 5:e till var 6:e vecka. På så sätt förhindrar man att fukt adsorberas i värmestavarna under längre användningsuppehåll.

7.2. Rengöring av bastuaggregatet

Se till att det inte samlas ludd eller damm i ventilationsöppningarna. På så sätt förhindrar man att luftcirkulationen försämras i bastuaggregatet. Försämrade luftcirkulation kan leda till överhettning.

7.3. Byta bastustenar

Bastustenarna påverkas både av vätskan och av de stora temperaturskillnaderna som uppstår under användningen. De kan bli anfräta och spröda.

**VARNING!****Brandrisk på grund av överhettning**

Om bastuaggregatet används utan bastustenar blir bastuns väggar mycket varma. Detta kan orsaka eldsvåda.

- Använd INTE bastuaggregatet utan bastustenar.

Kontrollera bastustenarna regelbundet och byt ut dem minst en gång om året.

1. Ta bort de gamla bastustenarna.
2. Avlägsna kalkavlagringar, damm och andra föroreningar från stenkorgen.
3. Rengör först bastustenarna noga med vatten och en borste. Använd inga rengöringsmedel.
4. Kontrollera om det finns främmande partiklar på stenarna och ta bort alla förpackningsrester innan de läggs in i bastuaggregatet.
5. Lägg bastustenarna i stenkorgen. Lägg i bastustenarna löst på varandra så att luften kan cirkulera mellan dem.
6. Se till att stenarna inte sticker ut ovanför stenkorgens kant.

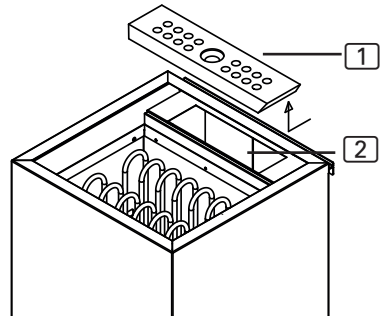
7.4. Rengöring av förångarbehållaren

Töm och rengör förångarbehållaren efter varje användning. Gör på följande sätt:

1. Vänta tills vattnet i förångaren har svalnat.
2. Ställ ett uppsamlingskärl (på minst 5 liter) under kulventilen på förångarens botten.
3. Öppna kulventilen åt vänster tills det resterande vattnet rinner ut.
4. Stäng kulventilen när förångarbehållaren är tom.
5. Ta bort täljstenen.
6. Rengör förångarbehållaren med en borste med plastborst. Kontrollera att tanksensorernas ledningar inte skadas. Skölj med vatten.
7. Sätt tillbaka täljstenen.

7.5. Avkalkning av förångarbehållaren

Avkalka förångarbehållaren efter behov. Använd ett avkalkningsmedel för hushållsapparater. Observera tillverkarens uppgifter och säkerhetsanvisningar.



1. Ta bort täljstenen.
2. Töm förångarbehållaren.
3. Förbered avkalkningslösningen enligt tillverkarens uppgifter.
4. Fyll på avkalkningslösning i förångaren till kalkkanten.
5. Låt avkalkningslösningen verka enligt tillverkaranvisningarna.
6. Ställ en uppsamlingsbehållare under kulventilen på förångarens botten och töm förångarbehållaren.
7. Spola förångarbehållaren 2 gånger med kallt kranvatten.

8. Avfallshantering



- Ta hand om förpackningsmaterialet enligt gällande bestämmelser.
- Enheterna innehåller både återanvändbart material och skadliga ämnen. Släng inte en uttjänt produkt i hushållssoporna, utan lämna den till återvinning enligt gällande bestämmelser.

9. Felavhjälpning utförd av installatören

Uppvärmning och torkning av värmestavarna

Fuktiga omgivningar och långa användningsuppehåll kan leda till att fukt adsorberas i värmestavarna. Detta är ett fysikaliskt förlopp och inget tillverkningsfel. Fukten i värmestavarna kan i vissa fall leda till att jordfelsbrytaren löser ut.

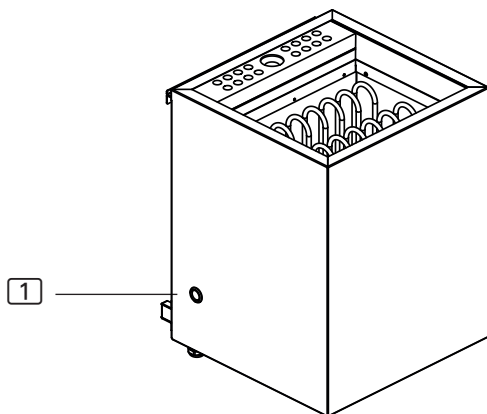
I sådana fall ska bastuaggregatet värmas upp för torkning under uppsikt av en elektriker. FI-skyddsbrytarens skyddsfunktion ska då tas ur funktion. Uppvärmningen/torkningen tar ca 10 minuter. Därefter ska FI-skyddsbrytarens skyddsfunktion återställas igen.

Kontakta leverantören/återförsäljaren om problemet kvarstår efter detta.

Återställa säkringen för övertemperatur i förångaren

En temperaturbrytare fungerar även som indikering för vattenbrist. Om en viss vattennivå i förångartanken underskrids (ca 1 l) stänger temperaturbrytaren av värmestaven. Samtidigt sjunker returflödet för styrenheten WM till 0 V. På styrenheten indikeras "Vattenbrist".

Om förångaren ändå skulle överhettas fungerar ett temperaturskydd som överhettningsskydd. Man måste återställa denna säkring manuellt. Tryck i så fall på kontakten på den vänstra sidoväggen **1**.

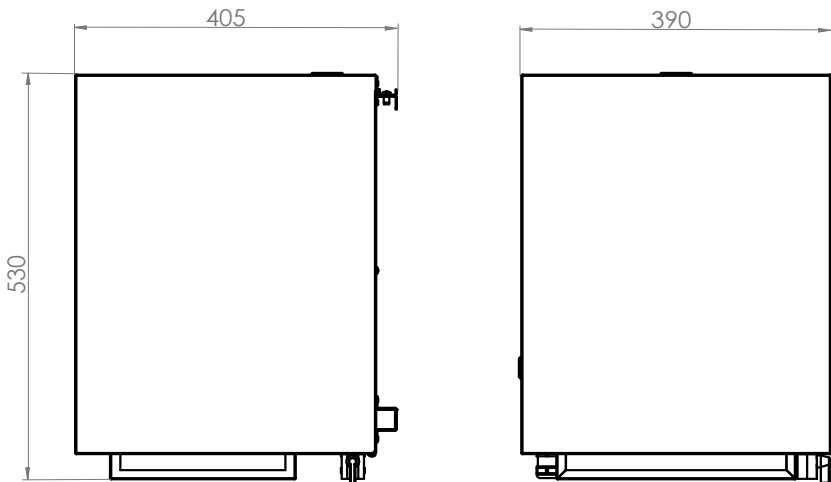


10. Tekniska data

Artikel-nummer	Effekt [kW]	Effekt, förångare [kW]	Basturum-mets volym [m ³]	Sten-mängd [kg]	Vikt utan stenar [kg]
HOME-C60	6,0	2,0	5–9	ca 20/30	17
HOME-C90	9,0	2,0	8–14	ca 20/30	17

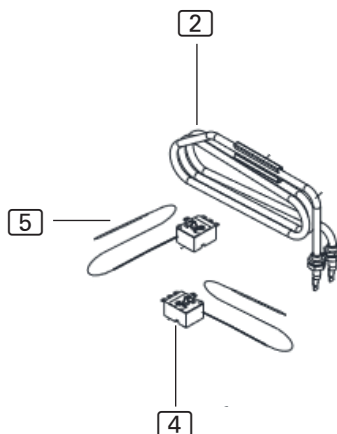
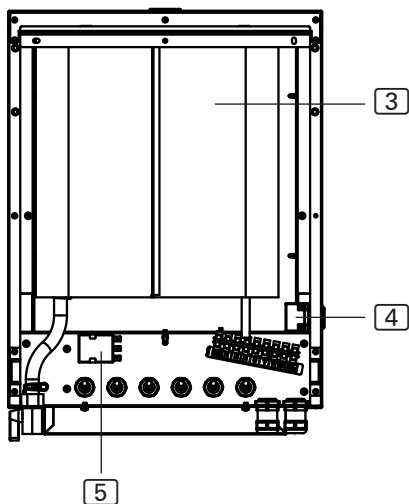
Artikel-nummer	Ventilationsöppningens min. storlek [mm]	Säkring [A]	Matningsspänning
HOME-C60	350 x 35	3 x 10	400 V AC 3N~ 50/60 Hz 230 V AC 1N~ 50/60 Hz
HOME-C90	350 x 50	3 x 16	400 V AC 3N~ 50/60 Hz 230 V AC 1N~ 50/60 Hz

Bild 8 Mått Home combi 6,0 kW och 9,0 kW (HOME-C60/HOME-C90)
Mått i mm



11. Reservdelar

Nr	Beteckning	Artikelnummer	Mängd
1	Värmeelement 2 000 W	HP-HOME-200 (1-043-618)	3
1	Värmeelement 3 000 W	HP-HOME-300 (1-043-620)	3
2	Värmeelement Förångare 2 000 W	VZH-104(1-047-023)	1
3	Komplett förångarenhet	WX671 (1-051-000)	1
4	Överhettningsskydd 140 °C	ZSK-764 (1-046-109)	1
5	Termostat 110 °C	ZSN-250 (1-046-108)	1



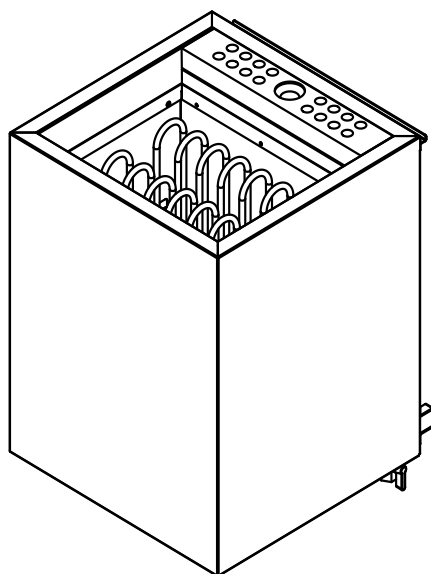
Kiuas

Home combi

HOME-C60 / 1-050-408: Home combi 6,0 kW

HOME-C90 / 1-050-411: Home combi 9,0 kW

ASENNUS- JA KÄYTTÖOHJEET Suomi



FI

Sisällysluettelo

1. Sananen näistä ohjeista	4
2. TÄRKEITÄ OHJEITA turvallisuutesi varmistamiseksi	5
2.1. Käyttötarkoitus	5
2.2. Turvaohjeita asentajalle	6
2.3. Turvaohjeita käyttäjälle	7
3. Tuotekuvaus	8
3.1. Toimituskokonaisuus	8
3.2. Lisävarusteet	8
3.3. Tuotteen toiminnot	8
4. Asennus ja liitäntä	8
4.1. Sijoituspaikka ja anturin sijainti	9
4.2. Suojaetäisyydet	9
4.3. Asennus saunahuoneen seinään	10
4.4. Liitäntäkaavio, malli 400 V 3 N~	12
4.5. Liitäntäkaavio, malli 230 V 1 N~	13
4.6. Johdotuskaaviot	14
4.7. Sähköliitäntä	14
5. Käyttöönotto	16
5.1. Kivitiilan täyttäminen	16
5.2. Ensimmäinen lämmityskerta	17
6. Käyttö	18
6.1. Kiukaan käyttö	18
6.2. Suomalainen saunakäyttö	18
6.3. Yhdistelmäkäyttö	19

7. Huolto	21
7.1. Pidemmät käyttökatkokset	21
7.2. Kiukaan puhdistaminen	21
7.3. Kiuaskivien vaihtaminen	22
7.4. Höyrystimen säiliön puhdistaminen	22
7.5. Höyrystimen säiliön kalkinpoisto	23
8. Hävittäminen	23
9. Asentajan ongelmanratkaisuja	24
10. Tekniset tiedot	25
11. Varaosat	26

1. Sananen näistä ohjeista

Lue nämä asennus- ja käyttöohjeet huolellisesti läpi ja säilytä niitä saunan lähellä. Näin voit katsoa turvallisuuttasi sekä käyttöä koskevia tietoja milloin tahansa.



Asennus- ja käyttöohjeet saat myös Internet-sivujemme materiaalinla-
tausosiosta osoitteesta www.sentiotec.com/downloads.

Symbolit ja varoitukset

Näissä asennus- ja käyttöohjeissa annetaan varoitus ennen toimia, jotka muodostavat vaaratekijän. Näitä varoituksia on ehdottomasti noudatettava. Näin vältät esinevahingot ja loukkaantumiset, jotka pahimmassa tapauksessa voivat aiheuttaa jopa kuoleman.

Varoituksissa käytetään huomiosanoja, joiden merkitys on seuraava:



VAARA!

Jos et noudata tätä varoitusta, seurauksena on kuolema tai vakava loukkaantuminen.



VAROITUS!

Jos et noudata tätä varoitusta, seurauksena voi olla kuolema tai vakava loukkaantuminen.



VARO!

Jos et noudata tätä varoitusta, seurauksena voi olla lievä loukkaantuminen.

HUOMIO!

Tällä huomiosanalla varoitetaan esinevahingoista.

Muut symbolit



Tällä symbolilla merkitään vinkit ja hyödylliset ohjeet.



Ei saa peittää!



Lue käyttöohjeet

2. TÄRKEITÄ OHJEITA turvallisuutesi varmistamiseksi

Home combi -kivas on valmistettu hyväksytyjen turvallisuusteknisten ohjeiden mukaan. Käytön yhteydessä voi silti ilmetä vaaroja. Noudata siksi seuraavia turvaohjeita ja yksittäisissä luvuissa annettuja erityisiä varoituksia.

2.1. Käyttötarkoitus

Home combi on integroidulla höyrystimellä varustettu kivas. Home combi -kivasta saa käyttää ainoastaan löylyhuoneen lämmittämiseen ja ilmankosteuden nostamiseen. Home combi -kivasta saa käyttää ainoastaan sellaisen ohjauskeskuksen yhteydessä, jossa ei ole etäkäynnistystoimintoa.

Home combi -kivasta saa käyttää etäkäynnistystoiminnolla varustetun ohjauskeskuksen yhteydessä vain, jos kivas on varustettu valinnaisena varusteena saatavalla turvakatkaisimella.

Home combi -kivasta saa käyttää yleisissä saunoissa vain, jos kivas on varustettu valinnaisena varusteena saatavalla turvakatkaisimella.

Muunlaisen käytön katsotaan poikkeavan tuotteen käyttötarkoituksesta. Tuotteen käyttötarkoituksesta poikkeava käyttö voi johtaa tuotteen vaurioitumiseen, vakaviin vammoihin tai kuolemaan.

2.2. Turvaohjeita asentajalle

- Kiukaan parissa tehtävät asennus- ja liitäntätyöt saa suorittaa vain silloin, kun kiuas ei ole kytkettynä virtalähteeseen.
- Vain sähköalan ammattilainen tai vastaavan pätevyyden omaava henkilö saa suorittaa asennuksen.
- Asiakkaan on järjestettävä ylijännitekategorian III mukainen kaikkinaipainen erotuslaite, joka takaa täyden katkaisun.
- Käytä kiukaan liittämiseen ainoastaan 150 °C kestäviä silikoni-johtoja.
- Asenna saunahuoneeseen ainoastaan yksi kiuas. Home fin -kiuasta ei saa käyttää samassa löylyhuoneessa muiden kiuaskaiden kanssa.
- Saunahuoneen katto ja seinät on valmistettava pihkaamattomasta, käsittelemättömästä tai lämpökäsitellystä puusta, esim. kuusesta, hemlokista, männystä tai pihdasta tai kertopuumateriaaleista. Kertopuumateriaaleja käytettäessä on varmistettava, että niiden liimoista ei irtoa formaldehydiä. Jos saunahuoneessa käytetään muita materiaaleja kuin puuta, näiden materiaalien pitää kestää kuumuutta ja korroosiota, eikä niillä saa olla kielteistä vaikutusta saunojien terveyteen.
- Saunahuoneen korkeuden on oltava vähintään 1,9 metriä.
- Noudata saunahuoneen tilavutta ja tuuletusta koskevia ohjeita kappaleessa **10. Tekniset tiedot** sivulla **25**.
- Kiuasta sijoitettaessa on otettava huomioon vähimmäissuojajärjestäisyydet (katso kappale **4.2. Suojaetäisyydet**).
- Noudata myös sijoituspaikan paikallisia määräyksiä.
- Käänny oman turvallisuutesi vuoksi toimittajasi puoleen sellaisissa ongelmissa, joita ei käsitellä asennusohjeessa kyllin tarkasti.

2.3. Turvaohjeita käyttäjälle

- Alle 8-vuotiaat lapset eivät saa käyttää laitetta.
- Yli 8-vuotiaat lapset, fyysisiltä, sensorisilta tai henkisiltä kyvyiltään rajoittuneet henkilöt sekä henkilöt, joiden kokemus ja tiedot ovat puutteellisia, saavat käyttää laitetta seuraavin ehdoin:
 - jos he ovat valvonnan alaisia.
 - jos heille on näytetty turvallinen käyttö ja he ymmärtävät vaarat, joita voi syntyä.
- Lapset eivät saa leikkiä laitteella.
- Alle 14-vuotiaat lapset saavat puhdistaa laitteen vain valvonnan alaisina.
- Jätä saunominen terveydellisistä syistä väliin, jos olet alkoholin, lääkkeiden tai huumeiden vaikutuksen alaisena.
- Kiuasta ei saa koskaan käyttää ilman saunakiviä, muutoin voi syttyä tulipalo.
- Ennen kuin kytket kiukaan päälle, varmista, että kiukaalla ei ole tulenarkoja esineitä.
- Lämmitä kiuasta puoli tuntia ENNEN ensimmäistä saunomista. ÄLÄ oleskele tänä aikana saunahuoneessa. Tuuleta saunahuone loppuksi hyvin (katso **5.2. Ensimmäinen lämmityskerta** sivulla **17**).
- Älä koske kiukaaseen käytön aikana. Kiukaan pinta ja kivet kuumenevat hyvin voimakkaasti.
- Käännä oman turvallisuutesi vuoksi toimittajasi puoleen sellaisissa ongelmissa, joita ei käsitellä käyttöohjeessa kyllin tarkasti.

3. Tuotekuvaus

3.1. Toimituskokonaisuus

- Kiuas
- Asennus- ja käyttöohjeet

3.2. Lisävarusteet

<i>Lisävarusteet</i>	<i>Tuotenumero</i>
Keinukatkaisin	SFE-350400 / 1-045-583

3.3. Tuotteen toiminnot

- **Suomalainen saunakäyttö:** yleensä 80...100 °C; suhteellinen ilmankosteus noin 10 %
- **Yhdistelmätoiminto** (ainoastaan yhdessä yhdistelmäohjauksen kanssa): noin 40...65 °C, ilmankosteus 35 % ... n. 70 %. Sallittu maksimi-ilmankosteus laskee lämpötilan noustessa.

4. Asennus ja liitäntä

Huomaa seuraavat kohdat, kun asennat ja liität kiuasta:



VAROITUS!

Sähköiskuvaara

- Suorita kiukaan asennus- ja liitäntätyöt ainoastaan sen ollessa jännitteetön.
-
- Vain sähköalan ammattilainen tai vastaavan pätevyyden omaava henkilö saa suorittaa sähköliitännät.
 - Asiakkaan on järjestettävä ylijännitekategorian III mukainen kaikkinaipainen erotuslaite, joka takaa täyden katkaisun.
 - Home fin -kiuas on seinäkiinnitteinen. Varmista ennen käyttöönottoa, että kiuas on asennettu tukevasti asennuslistaan.

4.1. Sijoituspaikka ja anturin sijainti

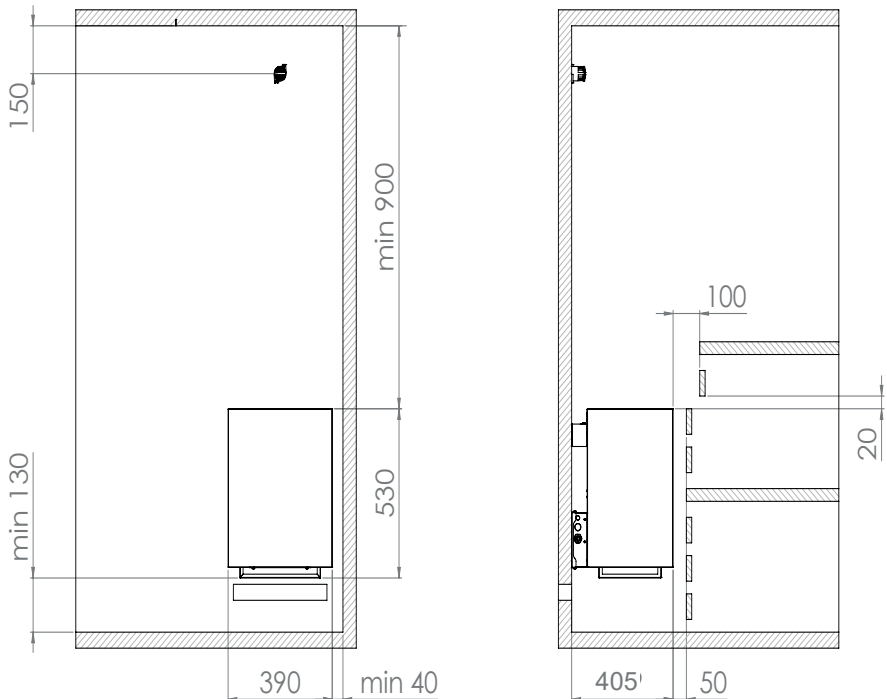
Asenna kiuas keskelle saunahuoneen seinän ilmanottoaukkoja. Noudata tällöin seinään pidettäviä suojaetäisyyksiä, ks. **Kuva 1**.

Asenna ylikuumenemissuojalla varustettu lämpötila-anturi saunahuoneen seinään, suoraan kiukaan yläpuolelle. Etäisyyttä saunahuoneen kattoon on oltava 15 cm. Huomioi saunaohjauksen asennusohjeen tiedot.

4.2. Suojaetäisyydet

Ota vähimmäissuojaetäisyydet huomioon, ks. **Kuva 1**.

Kuva 1 Suojaetäisyydet
Home combi 6,0 kW ja 9,0 kW
(HOME-C60 / HOME-C90)
Mitat (mm)



4.3. Asennus saunahuoneen seinään

Huomaa kuva 1, kuva 2, kuva 3 ja kuva 4 (sivu 9, 10, 11).

1. Kiinnitä asennuslista [1] seinään vaakasuoraan oheisilla puuruuveilla [2]. Huomaa tällöin kiukaan suojaetäisyydet kuvassa 1.
2. Aseta kiuas [3] asennuslistaan ylhäältä alaspäin. Varmista, että kiuas on samassa tasossa asennuslistan kanssa.
3. Kiinnitä kiuas [3] oheisella varmistusruuvilla [4] asennuslistaan [1].



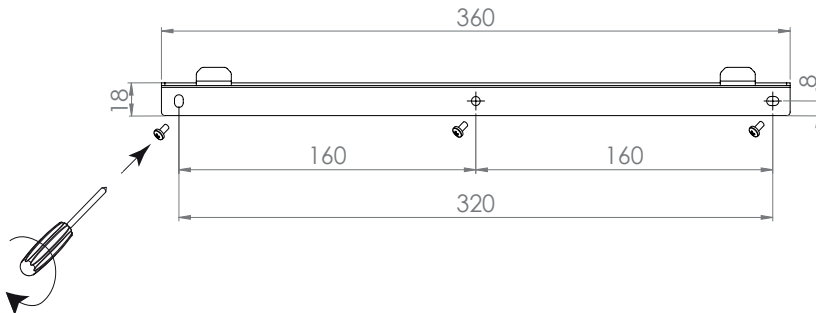
VAROITUS!

Palovaara

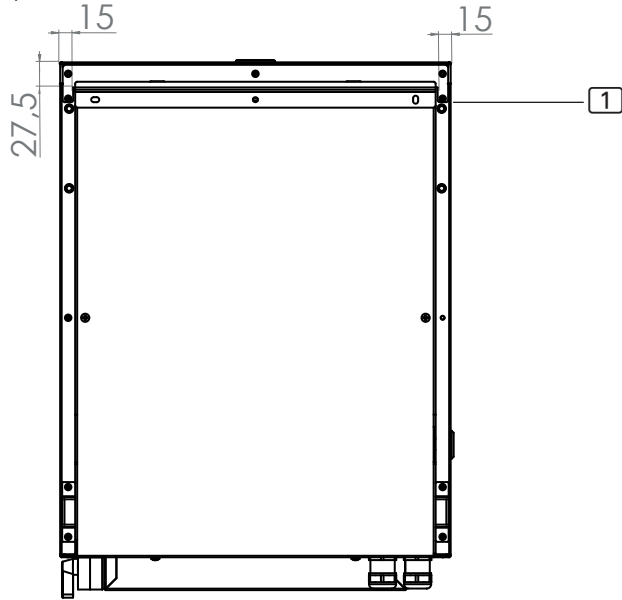
- Kiinnitä ja varmista kiuas oheisella varmistusruuvilla [4] niin, ettei se pääse liikahtamaan asennostaan.

Kuva 2 Home combi -asennuslista

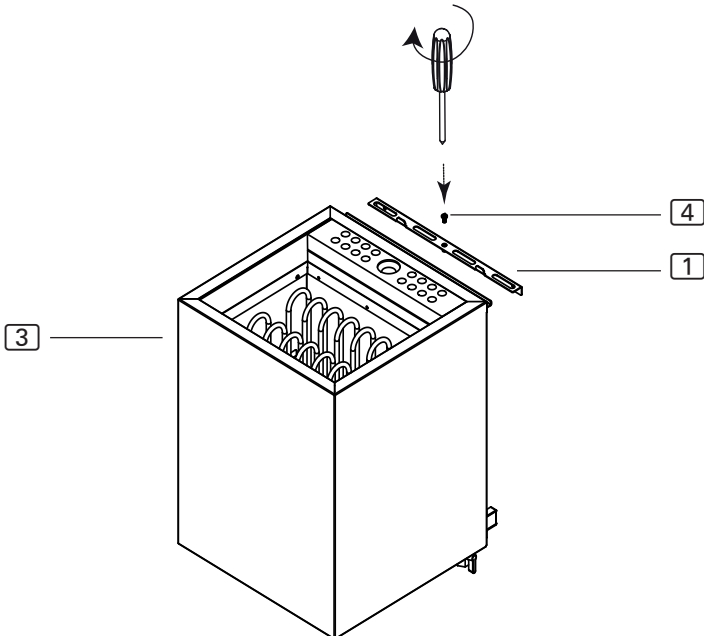
Mitat (mm)



Kuva 3 Home combi -asennuslistan paikka
Mitat (mm)

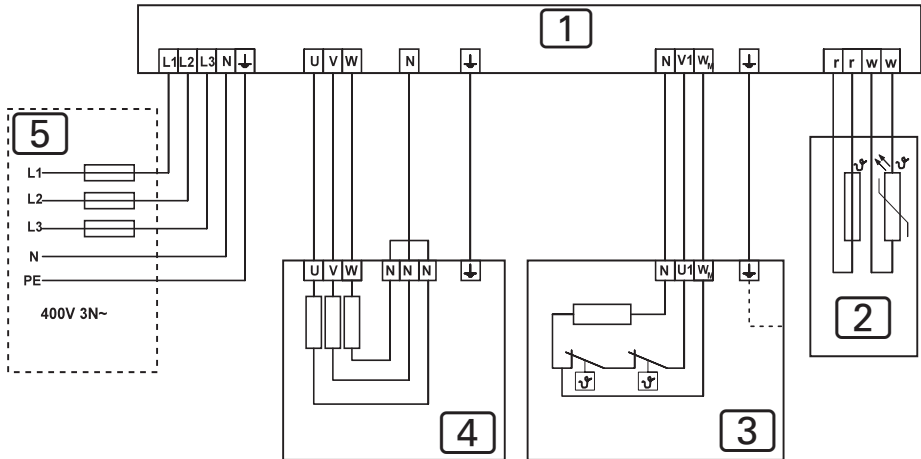


Kuva 4 Home combi -sulake (asennuslista)



4.4. Liitântäkaavio, malli 400 V 3 N~

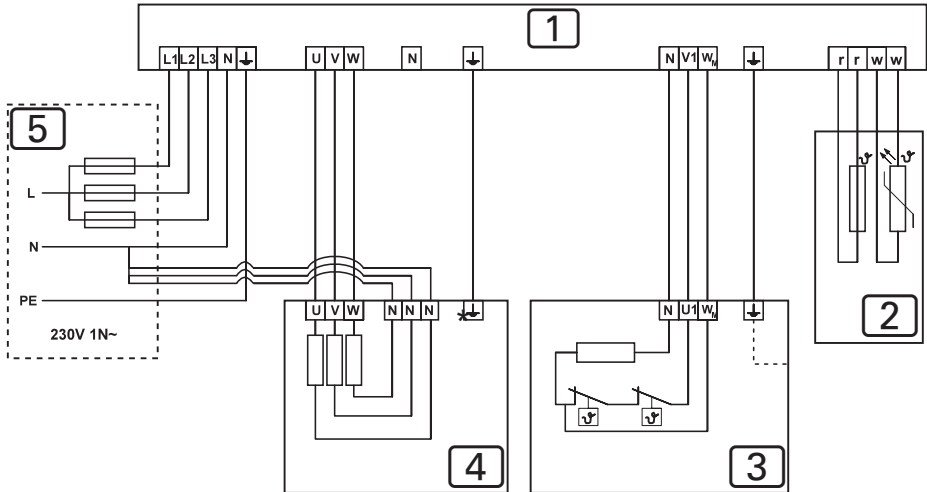
Kuva 5 Liitântäkaavio, malli 400 V 3 N~
Home combi 6,0 kW ja 9,0 kW
(HOME-C60 / HOME-C90)



- 1 ohjauskeskus
- 2 ylikuumenemissuojalla varustettu lämpötila-anturi
- 3 höyrystin 2,0 kW
- 4 lämmitysjärjestelmä 6,0 kW tai 9,0 kW
- 5 sähkönsyöttö

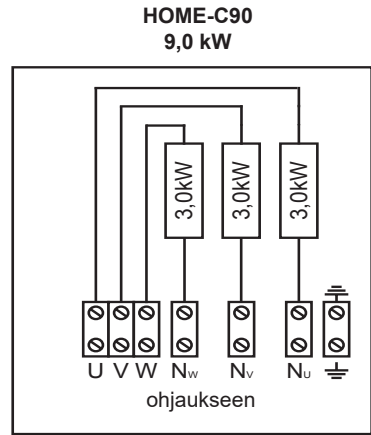
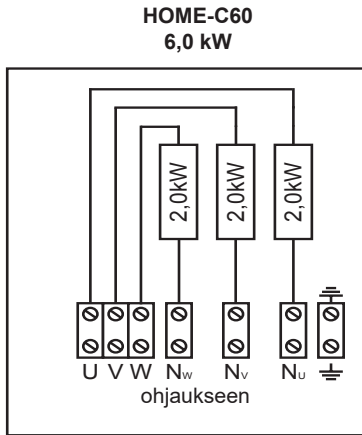
4.5. Liitântäkaavio, malli 230 V 1 N~

Kuva 6 Liitântäkaavio, malli 230 V 1N~
Home combi 6,0 kW ja 9,0 kW
(HOME-C60 / HOME-C90)



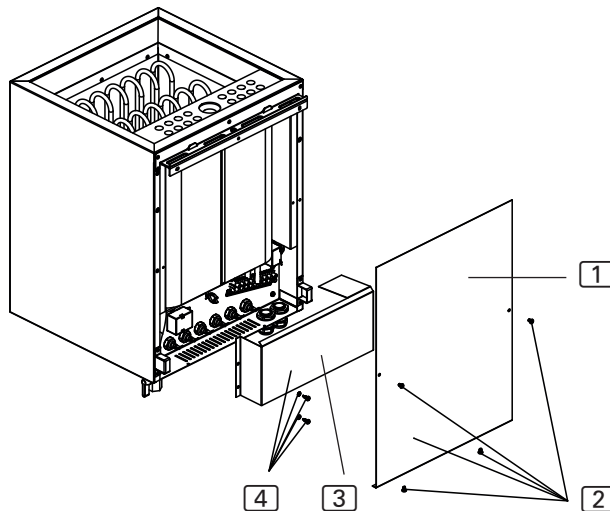
- 1 ohjauskeskus
 - 2 ylikuumentumissuojalla varustettu lämpötila-anturi
 - 3 höyrystin 2,0 kW
 - 4 lämmitysjärjestelmä 6,0 kW tai 9,0 kW
 - 5 sähkönsyöttö
- * Kuparisilloituksen poistaminen

4.6. Johdotuskaaviot



4.7. Sähköliitäntä

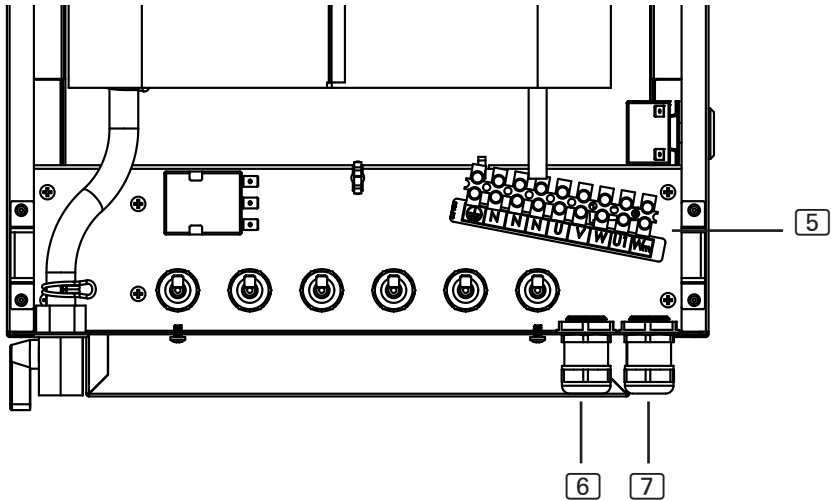
1. Avaa ruuvit **2** ruuvimeisselillä.
2. Irrota katopelti **1**.
3. Avaa ruuvit **4** ruuvimeisselillä.
4. Irrota katopelti **3**.



Liitântäkaavio Home combi 6,0 kW ja 9,0 kW

(HOME-C60 / HOME-C90)

1. Vedä lämmitysjärjestelmän liitântäkaapeli läpiviennin [6] kautta.
2. Liitä liitântäjohdon johtimet liitântätavasta riippuen liitântälistan liittimiin [5] sekä ohjauskeskuksen sopiviin liittimiin. Noudata tällöin ohjauskeskuksen asennusohjeita ja liitântäkaaviota sivulla 12 ja 13.
1. Vedä höyrystimen liitântäjohto läpiviennin [7] kautta.
2. Liitä höyrystinkaapelin johtimet liitântälistan liittimiin PE – N – U1 – Wm [5] ja ohjauskeskuksen sopiviin liittimiin. Noudata tällöin ohjauskeskuksen asennusohjeita ja liitântäkaaviota sivulla 12 ja 13.
3. Kiinnitä peitelevyt [3] ja [1] kiukaaseen.



- [5] lämmitysjärjestelmän ja höyrystimen liitântälista
- [6] lämmitysjärjestelmän liitântäjohdon läpivienti
- [7] höyrystinkaapelin läpivienti

5. Käyttöönotto

5.1. Kivitiilan täyttäminen



VAROITUS!

Ylikuumentuminen aiheuttaa palovaaran

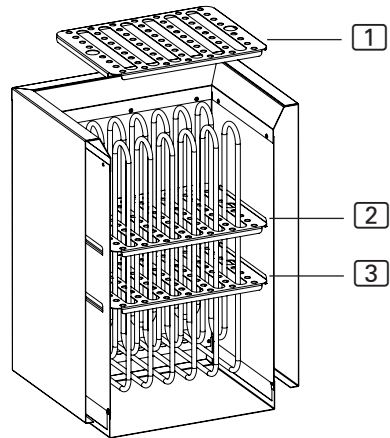
Jos kiuasta käytetään ilman kiviä, saunahuoneen seinät kuumenevat voimakkaasti. Se voi aiheuttaa tulipalon.

- Kiuasta EI KOSKAAN saa käyttää ilman kiuaskiviä.

Kiviritilän **1** voi asentaa kahteen eri korkeuteen.

Paikka **2**: vähäinen kivimäärä, lyhyet lämmitysajat, energiansäästö

Paikka **3** (tehtaalla valittu paikka): suuremmat kivimäärät, suurempi löylyvesimäärä mahdollista - siten enemmän höyryä, pidemmät lämmitysajat



Kiukaasi tarvittavan kivimäärän näet kappaleesta **Tekniset tiedot** (katso sivu **25**).

1. Pese kiuaskivet ennen käyttöä huolellisesti harjalla ja vedellä. Älä käytä puhdistuslisäaineita.
2. Ennen kuin ladot kivet kiukaaseen, tarkista, että kivien joukossa ei ole vieraita esineitä ja poista kaikki pakkausjäänteet.
3. Aseta kiuaskivet kivitiilaan - myös lämmitysvastusten väleihin. Lado kiuaskivet väljästi, jotta ilma pääsee kiertämään vapaasti.
- 4. Varmista, ETTEIVÄT lämmitysvastukset koske toisiaan.**
5. Varmista, etteivät kiuaskivet tule kivitiilan reunan yli.

5.2. Ensimmäinen lämmityskerta



VARO!

Ensilämmityksen aikana syntyy savua ja hajua

Uusissa lämmitysvastuksissa on valmistusprosessista jääneitä käyttöaineita. Nämä tuhoutuvat ensimmäisellä lämmityskerralla. Samalla syntyy savua ja epämiellyttävää hajua. Näiden höyryjen tai savun hengittäminen on terveydelle haitallista.

HUOMIO!

Laitteen ylikuumenemissuoja voi laueta myös alle -5°C lämpötiloissa (varastointi, kuljetus, ympäristö). Ennen asentamista ota laite lämpimään. Ylikuumenemissuojan voi kuitata laitteen ollessa noin 18 asteinen. Kuittaa laitteen ylikuumenemissuoja ennen käyttöönottoa

Kun otat kiukaan **käyttöön ensimmäistä kertaa** ja kun **kiukaan lämmitysvastukset on vaihdettu**, tee seuraavat työvaiheet. Näin estät ensimmäisen lämmityskerran yhteydessä syntyvien höyryn ja savun aiheuttamat terveyshaitat.

1. Lämmitysvastusten lämmittäminen ensimmäisen kerran
 - a. Valitse ohjauskeskuksesta mahdollisimman korkea lämpötila.
 - b. Lämmitä kiuasta puoli tuntia.
ÄLÄ OLESKELE tänä aikana saunahuoneessa.
2. Höyrystimen lämmittäminen ensimmäistä kertaa
 - a. Valitse ohjauskeskuksesta matala lämpötila ja korkea ilmankosteus.
 - b. Lämmitä höyrystintä puolella vesimäärällä
(katso **Höyrystimen täyttäminen** sivulla **20**)
ÄLÄ OLESKELE tänä aikana löylyhuoneessa.
 - c. Kytke kiuas pois päältä noin 15 minuutin kuluttua.
 - d. Anna höyrystimen jäähtyä (noin puolen tunnin ajan).
 - e. Tyhjennä vesisäiliö (katso **Höyrystimen täyttäminen** sivulla **20**)
 - f. Toista vaihe 2.b.
 - g. Tuuleta saunahuone hyvin ensilämmityksen jälkeen.
 - h. Jos seuraavan lämmittämisen aikana ei muodostu enää savua tai hajua, voit aloittaa saunomisen.
Jos savua tai hajua syntyy, poistu saunahuoneesta välittömästi ja toista ensimmäinen lämmittäminen ja tuuletus.

6. Käyttö



VAROITUS!

Palovaara

Kuumalla kiukaalla olevat tulenarat esineet syttyvät ja aiheuttavat tulipalon.

- ÄLÄ KOSKAAN laske tulenarkoja esineitä kiukaalle.
- Varmista, että kiukaalla EI ole tulenarkoja esineitä, kun otat kiukaan käyttöön.

6.1. Kiukaan käyttö

Kiuasta käytetään ohjauskeskuksella. Tietoa ohjauskeskuksen käytöstä saat käytettävän laitteen käyttöohjeesta. Huomaa, että Home combi -kiuas soveltuu ainoastaan ohjauskeskuksille, joissa ei ole etäkäynnistystoimintoa.

6.2. Suomalainen saunakäyttö

Suomalaisessa saunakäytössä käytetään ainoastaan lämmitysjärjestelmää. Lämpö on tällöin kuivaa. Saunahuoneen lämpötila on korkea (80...100 °C). Kosteusarvot ovat vähäiset, enintään 10 %. Saunahuoneen lämpötilaa säädetään ohjauskeskuksella.

Saunomisen loppupuolella voit heittää löylyä. Kaada vettä kauhalla kiuaskivien päälle. Vesi höyrystyy, ja ilmankosteus saunahuoneessa kohoaa.

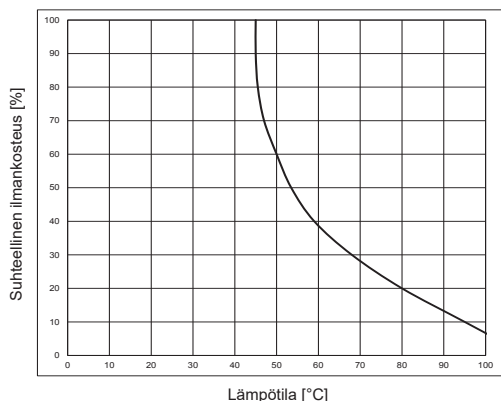
Huomaa löylynheitossa seuraavat kohdat:

- Käytä ainoastaan vesijohtovettä. Merivesi, hyvin kalkkipitoinen ja kloorattu vesi voivat vaurioittaa kiuasta.
- Käytä ainoastaan sellaisia tuoksuja ja eteerisiä öljyjä, jotka ovat nimenomaan tarkoitettu saunan löylyveteen. Huomaa löylyaineiden valmistajien ohjeet pakkauksissa.
- Älä kaada vettä kiville liian nopeasti. Muutoin vesi ei höyrysty kokonaan.

6.3. Yhdistelmäkäyttö

Yhdistelmäkäytössä käytetään lämmitysjärjestelmää ja höyrystintä. Saunahuoneen lämpötila on alhaisempi (n. 40...65 °C) kuin suomalaisessa saunakäytössä, kun taas suhteellinen ilmankosteus on huomattavasti suurempi, 35 %...noin 70 %. Sallittu maksimi-ilmankosteus laskee lämpötilan noustessa. Saunahuoneen lämpötilaa ja ilmankosteutta säädetään ohjauskeskuksella.

Kuva 7 Säättökäyrä lämpötila / suhteellinen ilmankosteus (standardin EN60335-2-53 mukainen)



Vain säättökäyrän alapuolella vasemmalla olevat asetukset ovat mahdollisia. Esim. 60 %:ssa ei voi ylittää 50 °C:een lämpötilaa.

Höyrystimen säiliö on täytettävä käsin. Kun höyrystimen säiliössä oleva vesi on kulutettu loppuun, ylikuumenemissuoja kytkee höyrystimen lämmityksen automaattisesti pois päältä. Vedenpuute ilmoitetaan ohjauskeskukselle, mistä se ilmaistaan esim. äänimerkillä ja ilmoituksella "FILL".

HUOMIO!

Höyrystimen vauriot

Merivesi, hyvin kalkkipitoinen ja kloorattu vesi, yrtit, esanssit tai tuoksut voivat vaurioittaa höyrystintä.

- Täytä höyrystimen säiliö ainoastaan vesijohtovedellä.
- Älä lisää yrtejä, esansseja tai tuoksuja suoraan höyrystimen säiliöön vaan ainoastaan höyrystimen päällä olevaan keraamiseen astiaan.
- Poista kalkki säännöllisesti höyrystimestä (katso **7.5 sivulla 23**).

Höyrystimen täyttäminen

**VARO!****Palovammavaara**

Jos kaadat vettä höyrystimen kuumaan säiliöön, syntyy kuumaa höyryä.

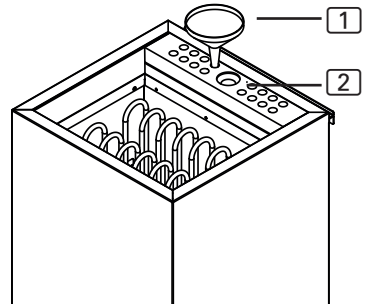
- ÄLÄ KOSKAAN kaada vettä kuumaan höyrystimen säiliöön.
- Tarkasta ja täytä höyrystinsäiliö aina ennen yhdistelmätoiminnon käyttöä.
- Anna höyrystimen jäähtyä ENNEN veden täyttämistä höyrystinsäiliöön, jos ylikuumenemissuoja on katkaissut höyrystimen lämmityksen tai jos ohjauskeskus ilmaisee vedenpuutteen.

**VARO!****Palovammavaara**

Jos höyrystimen säiliö on liian täynnä, siitä roiskuu kiehuvaa vettä.

- Lisää höyrystimen säiliöön 5 litraa vettä.

1. Käytä suppiloa [1] tai poista vuolukivi [2].
2. Täytä höyrystimen säiliö ainoastaan puhtaalla vesijohtovedellä. Tarvitset noin 5 litraa vettä. Tällä vesimäärällä höyrystintä voi käyttää noin 1 tunnin verran.
3. Poista suppilo [1] tai aseta vuolukivi uudelleen paikalleen.



Tuoksujen käyttäminen

Voit halutessasi lisätä vuolukivelle nestemäisiä tuoksujia tai kuivattuja yrttejä. Huomaa tällöin seuraavat kohdat:

- Älä lisää tuoksujia suoraan höyrytimeen.
- Täytä vuolukiven syvennys varovasti vain puoliiksi täyteen, etteivät tuoksut valu rei'istä höyrystimen säiliöön.
- Huomaa yrttien ja tuoksujen valmistajien ohjeet pakkauksissa.
- Puhdista vuolukivi säännöllisesti juoksevassa vedessä.

7. Huolto

7.1. Pidemmät käyttökatkokset

Kosteissa ympäristöolosuhteissa tai käyttökatkosten kestäessä pitkään lämmitysvastuksiin kertyy kosteutta. Tämä on fyysikaalinen ilmiö, eikä siis valmistajan virhe. Lämmitysvastusten kosteus voi aiheuttaa FI-suojakytkimen laukeamisen. Jos näin tapahtuu, ota yhteyttä sähköalan ammattilaiseen vian korjaamiseksi (katso kappale **9. Asentajan ongelmanratkaisuja** sivulla **24**).



Lämmitä kiuasta 5-6 viikon välein noin 15 minuutin ajan. Näin estät veden kertymisen lämmitysvastuksiin pidempien käyttökatkosten aikana.

7.2. Kiukaan puhdistaminen

Varmista, että tuuletusaukoissa ei ole nukkaa ja pölyä. Näin estät kiukaan ilman kierron rajoittumisen ja laitteen ylikuumenemisen.

7.3. Kiuaskivien vaihtaminen

Löylyvesi ja suuret lämpötilavaihtelut kuormittavat kiuaskiviä. Kiuaskivet voivat kulua ja murentua.

**VAROITUS!*****Ylikuumentuminen aiheuttaa palovaaran***

Jos kiuasta käytetään ilman kiviä, saunahuoneen seinät kuumenevat voimakkaasti. Se voi aiheuttaa tulipalon.

- Kiuasta EI KOSKAAN saa käyttää ilman kiuaskiviä.
-

Tarkasta kiuaskivet säännöllisesti ja vaihda ne vähintään kerran vuodessa.

1. Poista vanhat kiuaskivet.
2. Puhdista kivitila kalkista, pölystä ja muusta liasta.
3. Pese kiuaskivet ennen käyttöä huolellisesti harjalla ja vedellä.
Älä käytä puhdistuslisäaineita.
4. Ennen kuin ladot kivet kiukaaseen, tarkista, että kivien joukossa ei ole vieraita esineitä ja poista kaikki pakkausjäänteet.
5. Lado kiuaskivet kivitilaan. Lado kiuaskivet väljästi, jotta ilma pääsee kiertämään vapaasti.
6. Varmista, etteivät kiuaskivet tule kivitilan reunan yli.

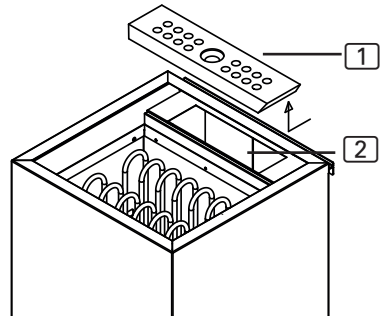
7.4. Höyrystimen säiliön puhdistaminen

Tyhjennä ja puhdista höyrystimen säiliö aina käytön jälkeen. Tee sitä varten seuraavat vaiheet:

1. Odota, kunnes höyrystimen vesi on jäähtynyt.
2. Aseta höyrystimen jalustan palloventtiilin alle keräysastia (vähintään 5 litraa).
3. Avaa palloventtiili vasemmalle kiertämällä, niin että jäljellä oleva vesi virtaa ulos.
4. Sulje palloventtiili, kun höyrystimen säiliö on tyhjä.
5. Poista vuolukivi.
6. Puhdista höyrystimen säiliö muovisella talousharjalla.
Varmista, etteivät säiliön antureiden johdot vaurioиду. Huuhtelee vedellä.
7. Aseta vuolukivi paikalleen jälleen.

7.5. Höyrystimen säiliön kalkinpoisto

Poista kalkki höyrystimen säiliöstä tarvittaessa. Käytä siihen kodinkoneiden kalkinpoistoainetta. Noudata valmistajan määräyksiä ja turvaohjeita.



1. Poista vuolukivi.
2. Tyhjennä höyrystimen säiliö.
3. Valmista kalkinpoistoliuos valmistajan ohjeiden mukaan.
4. Täytä kalkinpoistoliuosta höyrystimeen kalkkireunaan saakka.
5. Anna kalkinpoistoliuksen vaikuttaa valmistajan ohjeen mukaisesti.
6. Aseta keräysastia höyrystimen jalustan palloventtiilin alle ja tyhjennä höyrystimen säiliö.
7. Huuhtelee höyrystimen säiliö 2 kertaa kylmällä vesijohtovedellä.

8. Hävittäminen



- Hävitä pakkausmateriaali voimassaolevien määräysten mukaisesti.
- Laiteromussa on kierrätettäviä materiaaleja, mutta myös haitallisia aineita. Älä siis missään tapauksessa hävitä laiteromua sekajätteen mukana, vaan hävitä laite paikallisten voimassa olevien määräysten mukaisesti.

9. Asentajan ongelmanratkaisuja

Lämmitysvastusten lämmittäminen

Kosteissa ympäristöolosuhteissa tai käyttökatkosten kestäessä pitkään lämmitysvastuksiin voi kertyä kosteutta. Tämä on fysikaalinen ilmiö, eikä siis valmistajan virhe. Lämmitysvastusten kosteus voi joissain tilanteissa aiheuttaa FI-suojakytkimen laukeamisen.

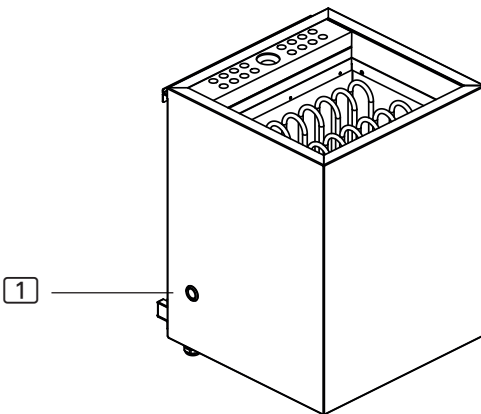
Jos näin tapahtuu, kiuasta täytyy lämmittää sähköalan ammattilaisen valvonnassa. FI-suojakytkimen suojaus toiminto on tällöin kytkettävä pois päältä. Lämmitys kestää noin 10 minuuttia. Sen jälkeen FI-kytkimen suojaus toiminto on kytkettävä jälleen päälle.

Jos ongelma jatkuu, käänny laitteen toimittajan puoleen.

Höyrystimen ylikuumenemissulakkeen nollaaminen

Lämpötilakytkin vastaa vedenpuutteen tunnistuksen toiminnasta. Jos höyrystimen säiliön vesitaso laskee liikaa (noin 1 litraan), kytkee lämpötilakytkin lämmitysvastuksen pois päältä. Samaan aikaan paluujännite ohjainlaitteeseen putoaa arvoon 0 V – ohjainlaite ilmoittaa vedenpuutteesta.

Lämpösulake toimii ylikuumenemissuojana, jos höyrystin kuitenkin kuumenee. Tämä sulake on nollattava manuaalisesti. Tämä tapahtuu vasemman sivuseinän kosketuspainiketta painamalla **1**.

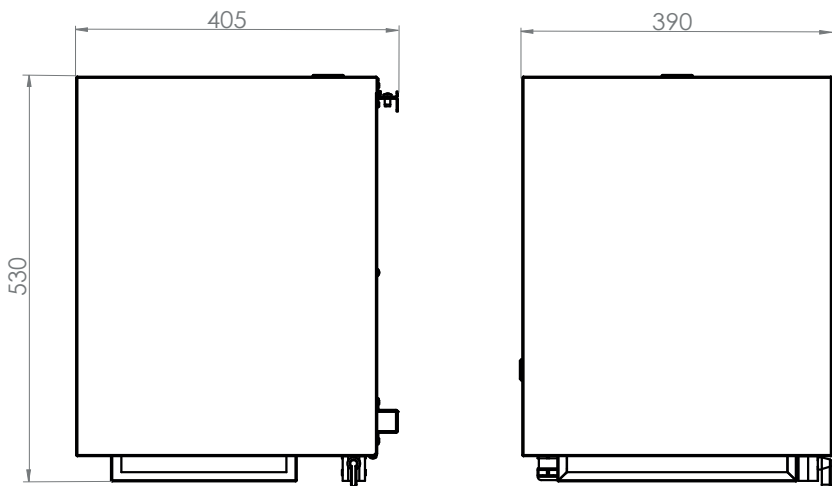


10. Tekniset tiedot

Tuote-numero	Teho [kW]	Höyrystimen teho [kW]	Sauna-huoneen tilavuus [m ³]	Kivi-määrä [kg]	Paino ilman kiviä [kg]
HOME-C60	6,0	2,0	5 - 9	noin 20 / 30	17
HOME-C90	9,0	2,0	8 - 14	noin 20 / 30	17

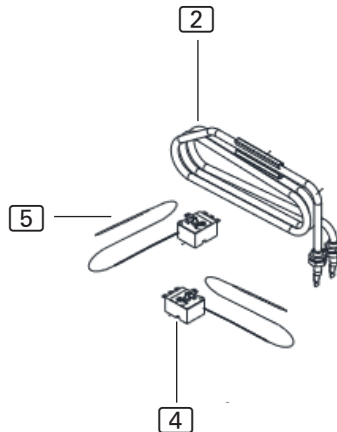
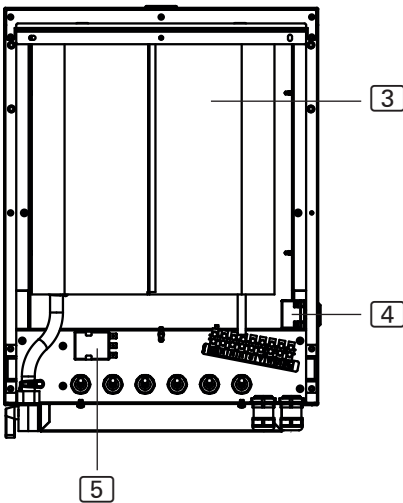
Tuote-numero	Tuuletusaukon vähimmäiskoko [mm]	Varmistin [A]	Syöttö
HOME-C60	350 x 35	3 x 10	400 V AC 3N~ 50/60 Hz 230 V AC 1N~ 50/60 Hz
HOME-C90	350 x 50	3 x 16	400 V AC 3N~ 50/60 Hz 230 V AC 1N~ 50/60 Hz

Kuva 8 Mitat: Home combi 6,0 kW ja 9,0 kW
(HOME-C60 / HOME-C90)
Mitat (mm)



11. Varaosat

Nro	Nimitys	Tuotenumerot	Määrä
1	Lämmityselementit 2000 W	HP-HOME-200 (1-043-618)	3
1	Lämmityselementit 3000 W	HP-HOME-300 (1-043-620)	3
2	Lämmityselementti höyrystin 2000 W	VZH-104(1-047-023)	1
3	Höyrystinyksikkö, täydellinen	WX671 (1-051-000)	1
4	Ylikuumenemissuoja 140 °C	ZSK-764 (1-046-109)	1
5	Termostaatti 110 °C	ZSN-250 (1-046-108)	1



sentiotec 
DIVISION OF HARVIA GROUP

CENTRAL EUROPE

sentiotec GmbH | Division of Harvia Group |

Wartenburger Straße 31,

A-4840 Vöcklabruck

T +43 (0) 7672/22 900-50 | F -80 |

info@sentiotec.com | www.sentiotec.com

GLOBAL

HARVIA

P.O. Box 12, Teollisuustie 1-7,

40951 Muurame, FINLAND

T +358 207 464 000

harvia@harvia.fi | www.harvia.fi

RUSSIA

Адрес уполномоченного лица:

ООО «Харвия Рус»

196006, Россия. Санкт-Петербург г,

пр-кт Лиговский, д. 266, стр. 1, помещ.

2.1-Н.50 | ОГРН 1157847200818

T +78123258294 | spb@accountor.ru

